

PT7135/7137

Pan/Tilt Network Camera

3GPP • MPEG-4 • Wireless



VIVOTEK PT7135 (Wired) / PT7137 (WLAN) with 3GPP compatibility offers a cost-effective solution for mobile remote monitoring as well as indoor surveillance. It enables users not only to receive the optimized, synchronized video and audio by the standard web browser or application software, but also 3G cellular phones or any RTSP(Real Time Streaming Protocol) compatible media device anytime, anywhere. Users can directly employ the built-in RTSP-compatible multimedia software on 3G cellular phones to view the streaming video from the camera site without extra works on downloading and installing additional software.

PT7135/PT7137 delivers excellent image quality up to 30fps in VGA resolution and offers superior low light performance in the dark. With efficient MPEG-4 compression, a variety of applications where available bandwidth is restricted but higher frame rates are required can be implemented and developed with ease. The wide pan/tilt movement, controlled by the application, enables you to locate any position in the viewable area within seconds. VIVOTEK PT7135/PT7137 allows users to easily build up a surveillance system for their exclusive, versatile applications.

Features

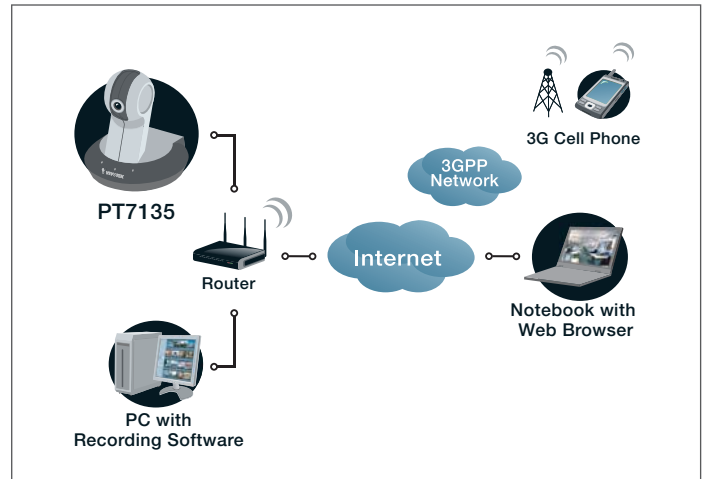
- > Motorized Wide-range Pan/Tilt (Pan: -175° ~ +175°; Tilt: -35° ~ +90°)
- > Real-time MPEG-4 Compression in VGA Resolution
- > 3GPP Mobile Surveillance
- > Built-in 802.11b/g WLAN (PT7137)
- > Compact Size with Stylish Design
- > Triple-window Motion Detection
- > Pre- and Post-alarm Snapshots
- > Superior Low Light Performance

Specifications

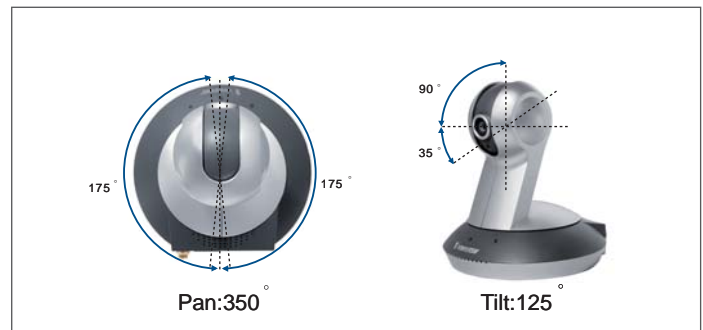
Models	<ul style="list-style-type: none"> · PT7135 (Wired) · PT7137 (WLAN)
System	<ul style="list-style-type: none"> · CPU: VVTK-1000 SoC · Flash: 4MB · RAM: 32MB SDRAM · Embedded OS: Linux 2.4
Pan/Tilt/Zoom	<ul style="list-style-type: none"> · Pan range: 350° (-175° ~ +175°) · Tilt range: 125° (-35° ~ +90°)
Lens	<ul style="list-style-type: none"> · Board lens, f=4.0 mm, F2.0, Fixed
Shutter Time	<ul style="list-style-type: none"> · 1/60 sec. to 1/15000 sec.
Image Sensor	<ul style="list-style-type: none"> · 1/4" CMOS sensor in VGA resolution
Minimum Illumination	<ul style="list-style-type: none"> · 1.5 Lux / F2.0
Video	<ul style="list-style-type: none"> · Compression: MPEG-4 for streaming video JPEG for still image · Streaming: MPEG-4 streaming over UDP, TCP, or HTTP · Supports 3GPP mobile surveillance · Frame rates: MPEG-4: Up to 30/25 fps at 640x480
Image Settings	<ul style="list-style-type: none"> · Adjustable image size, quality, and bit rate · Time stamp and text caption overlay · Flip & mirror · Configurable brightness, saturation, contrast and sharpness · AGC, AWB, AES
Audio	<ul style="list-style-type: none"> · Compression: GSM-AMR speech compression, bit rate: 4.75 kbps ~ 12.2 kbps · MPEG-4 AAC audio encoding, bit rate: 16 kbps ~ 32 kbps · Interface: Built-in microphone · Supports audio mute
Networking	<ul style="list-style-type: none"> · 10/100 Mbps Ethernet, RJ-45 · Built-in 802.11b/g WLAN (PT7137) · Protocols: IPv5, TCP/IP, HTTP, UPnP, RTSP/ RTP/RTCP, IGMP, SMTP, FTP, DHCP, NTP, DNS, DDNS, and PPPoE
Alarm and Event Management	<ul style="list-style-type: none"> · Triple-window video for motion detection · Event notification using HTTP, SMTP, or FTP
Security	<ul style="list-style-type: none"> · User access with password protection · IP address filtering
Users	<ul style="list-style-type: none"> · Camera live viewing for up to 10 clients
Dimension	<ul style="list-style-type: none"> · 110 mm (D) x 110 mm (W) x 130 mm (H)
Weight	<ul style="list-style-type: none"> · Net: 259 g (PT7135) · Net: 271 g (PT7137)
LED Indicator	<ul style="list-style-type: none"> · System power and status indicator · System activity and network link indicator · Microphone status indicator
Power	<ul style="list-style-type: none"> · 12V DC · Power consumption: Max. 7 W (PT7135) · Power consumption: Max. 8.3 W (PT7137)
Approvals	<ul style="list-style-type: none"> · CE, FCC
Operating Environments	<ul style="list-style-type: none"> · Temperature: 0 ~ 50 °C (32 ~ 122 °F) · Humidity: 20% ~ 80% RH

Viewing System Requirements	<ul style="list-style-type: none"> · OS: Microsoft Windows 2000/XP/Vista · Browser: Internet Explorer 6.x or above · Cellphone: 3GPP player · Real Player: 10.5 or above · Quick Time: 6.5 or above
Installation, Management, and Maintenance	<ul style="list-style-type: none"> · Installation Wizard 2 · 16-CH recording software · Supports firmware upgrade
Applications	<ul style="list-style-type: none"> · SDK available for application development and system integration
Warranty	<ul style="list-style-type: none"> · 12 months

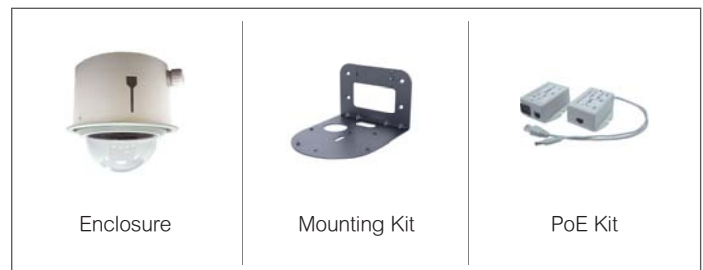
System overview



Pan/Tilt Range



Accessories



All specifications are subject to change without notice. Copyright©2009 VIVOTEK INC. All rights reserved.

Distributed by:



6F, No.192, Lien-Cheng Rd., Chung-Ho, Taipei County, Taiwan
 Tel: +886 2 8245 5282 | Fax: +886 2 8245 5532 | E-mail: sales@vivotek.com
VIVOTEK USA, INC.
 470 Lakeside Drive Suite C, Sunnyvale, CA 94085 USA
 Tel: 408-773-8686 | Fax: 408-773-8298 | E-mail: salesusa@vivotek.com