

3 MEGAPIXEL HD LENSES



EXCEPTIONAL OPTICS FOR TODAY'S HD CAMERAS

Providing a high-performance lens solution for today's high-end box cameras, the Vista 3 Megapixel HD lenses provide the best possible image quality.

These 3 Megapixel Direct Drive and Manual Iris, 3.1~8mm Varifocal, IR corrected lenses have been designed to provide a high-quality lens solution suitable for use with any high-resolution analogue, Megapixel IP, or HD-SDI camera.

The HD optical design provides a larger image circle, which delivers exceptional brightness and clarity across the entire image plane, including the corners. Compatible with both 4:3 and 16:9 format cameras, the 3 Megapixel HD lenses are engineered to function specifically with 16:9 megapixel cameras

With Direct Drive and Manual Iris options, and fitted with a pre-plugged connecting lead (DD model), these megapixel lenses are the perfect choice for use with any megapixel or HD camera application.

To learn more about this product range please visit us at vista-cctv.com



Key Features:

HD resolution

The 3 MP, high-quality optics ensure pin-sharp pictures for today's high-resolution analogue, megapixel IP and HD-SDI cameras

HD camera support

Designed for use with multiple format camera sensors to provide the best possible image quality in 16:9 or 4:3 image formats

Varifocal

The 3.1~8mm varifocal lens allows for precise scene adjustment to gain the desired field of view

IR corrected

Enables crisp images during the day (colour), and at night (monochrome), when used in combination with IR illumination

Pre-plugged DD lead

Allows fitting direct to the camera, straight from the box

Direct Drive and Manual Iris options

Allows the installer to select which type of lens is used depending on the ambient light level.

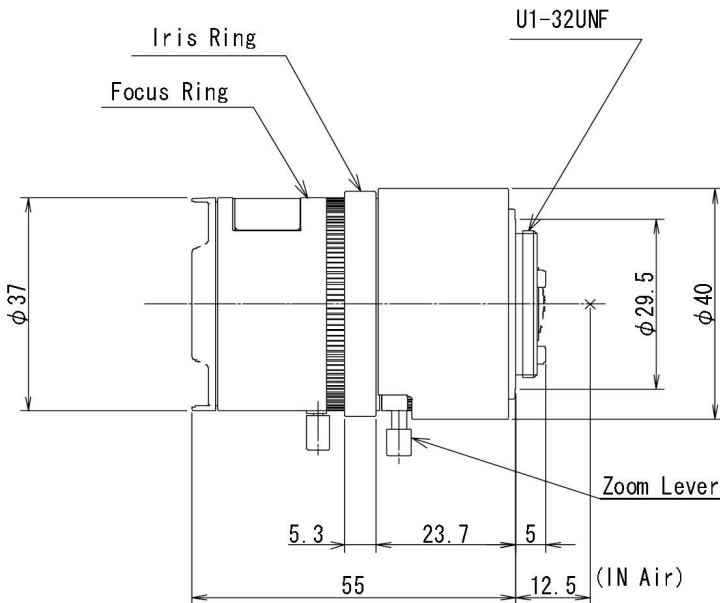
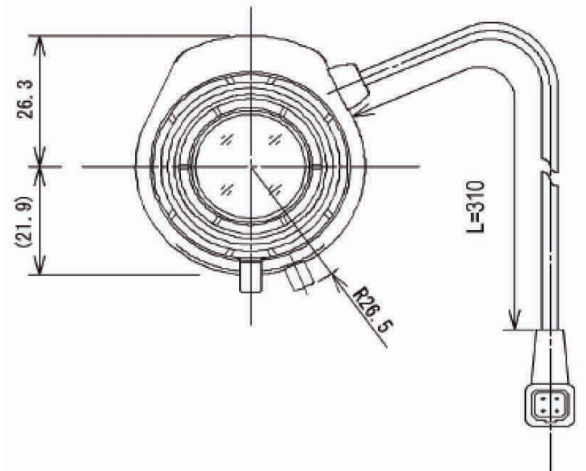
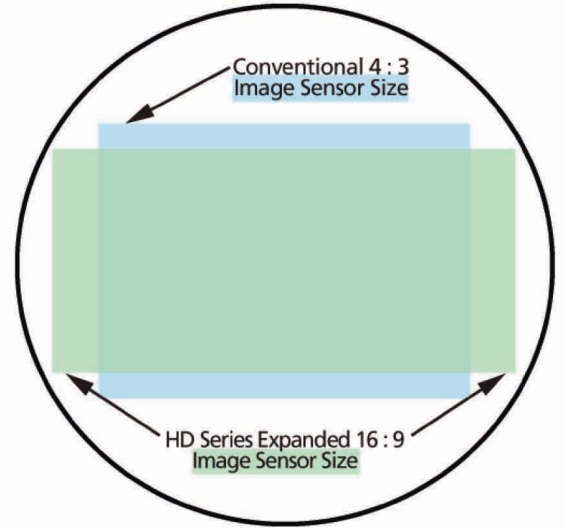
THE PROFESSIONAL CHOICE

TECHNICAL SPECIFICATION

| | | |
|-------------------------|---------------------|------------------|
| Model | VDD31V812IRP-3MP | VM31V812IRP-3MP |
| Focal Length | 3.1~8mm | |
| Max. Aperture Ratio | 1:1.2 | |
| Max.Image Format | 3.2mm x 5.8mm | |
| Operation Range | Iris | F1.2 ~ F360C |
| | Focus | 0.3m ~ Infinity |
| | Zoom | 3.1mm ~ 8mm |
| Control | Iris | DC Auto Iris |
| | Focus | Manual |
| | Zoom | Manual |
| Coil | Drive | 190Ω / 20°C |
| | Control | 855Ω / 20°C |
| Angle of View | 1/2.7 (16:9 format) | |
| | Horizontal | 105.4 ° ~ 42.2 ° |
| | Vertical | 57.9 ° ~ 23.8 ° |
| | 1/2.7 (4:3 format) | |
| | Horizontal | 95.9 ° ~ 38.7 ° |
| | Vertical | 71.0 ° ~ 29.1 ° |
| | 1/3 (4.3 format) | |
| | Horizontal | 86.7 ° ~ 35.2 ° |
| Vertical | 64.4 ° ~ 26.5 ° | |
| Effective Lens Aperture | Front | ∅ 20.9mm |
| | Rear | ∅ 10.5mm |
| Back Focal Length | Tele | 7.8mm |
| | Wide | 7.8mm |
| Flange Back Length | 12.5mm | |
| IR Corrected Optics | Yes | |
| Cable Length | 120mm | n/a |
| Mount | CS-Mount | |
| Dimension (Net) | ∅37mm x 48.2 x 55mm | |
| Dimension (Gross/Boxed) | 80mm x 70mm x 60mm | |
| Weight (Net) | 60g | 56g |
| Weight (Gross) | 89g | 80g |
| Operating Temperature | -10°C ~ +50°C | |

MODELS IN THIS RANGE

| | | |
|---------|------------------|---|
| 0478870 | VDD31V812IRP-3MP | 1/2.7 3.1-8mm F1.2 direct drive IR corrected lens (plugged) |
| 0478880 | VM31V812IRP-3MP | 1/2.7 3.1-8mm F1.2 manual iris IR corrected lens |



This datasheet is subject to change and no liability will be accepted by Vista for any errors or omissions in this information.

DS_HD3MP-Version1