

VERSO POLAR

HOUSING FOR VERY LOW TEMPERATURE INSTALLATIONS

REVISION 1027



MAIN FEATURES

Hi-performance working down to -55°C (-67°F)

Entirely constructed from technopolymer (polycarbonate)

Side opening, easy camera servicing

Weatherproof standard IP66/IP67

Indoor / Outdoor

Very good resistance to impacts (IK10)

DESCRIPTION

VERSO POLAR is provided with a high performance heating system which allows the working even at the most severe temperatures, down to -55°C (-67°F).

Designed to simplify installation and servicing, the VERSO POLAR ensures total protection against all environmental conditions. Thanks to the side opening, the accessibility to the camera, lens and all its connections is made far easier. This housing can accommodate a variety of cameras and lenses.

Entirely constructed from technopolymer, VERSO POLAR guarantees high impact resistance, weather protection from external agents and UV rays. The weatherproof feature is ensured by the neoprene-rubber gasket and by 3 cable glands in nickel-plated brass.

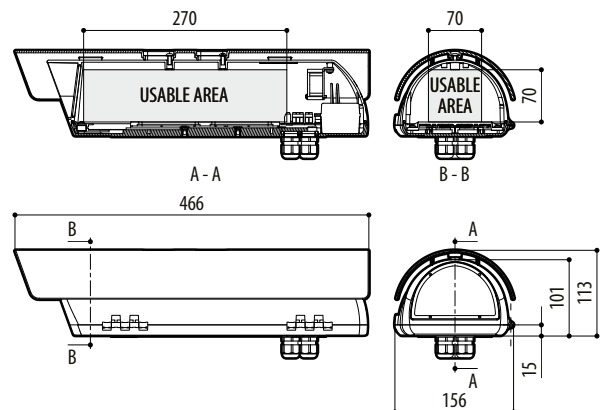
VERSO POLAR offers the possibility of various mounting options.



VERSO POLAR + CAMERA



CABLE GLANDS



VERSO POLAR

AVAILABLE MODELS				
Code	Sunshield	Heater 115/230Vac	Heater 12Vdc/24Vac	Max consumption
HPV42K1A160	•	•		120W
HPV42K2A160	•		•	60W

TECHNICAL DATA

GENERAL

Entirely constructed from technopolymer (polycarbonate)
 Sunshield in ABS
 RAL9002 Colour
 Stainless steel external screws
 Supplied with instruction manual, desiccant bag, accessories for camera and lens mounting

MECHANICAL

3xM16 cable glands in nickel-plated brass
 Polycarbonate window (WxH): 105x64mm (4.1x2.5in)
 Internal usable area (WxH): 70x70mm (2.7x2.7in)
 Internal usable length with and without accessories: 270mm (10.6in)

ELECTRICAL

Heater Ton 15°C±3°C (59°F±5°F) Toff 22°C±3°C (71°F±5°F)

- IN 12Vdc/24Vac, consumption 60W max
- IN 115/230Vac, consumption 120W max

Camera power supply

- IN 100-240Vac - OUT 12Vdc, 50/60 Hz, 1A
- IN 230Vac - OUT 24Vac, 50/60Hz, 400mA

ENVIRONMENT

Indoor / Outdoor
 Operating temperature with heater: -55°C / +60°C (-67°F / +140°F)
 Very good resistance to the following chemical agents: basics, alcohols, gasses, hydrocarbon
 Good resistance: organic and inorganic acids, oils
 Low resistance: solvents

CERTIFICATIONS

CE EN61000-6-3, EN60950-1, EN50130-4
 IP66/IP67 EN60529 with cable glands
 IP66/IP67 EN60529 with special gaskets and bracket with internal cable channel
 IP55 EN60529 with bracket with internal cable channel
 V1 fire-self extinguish compliance UL94
 Impact resistance IK10 EN62262

PACKAGE							
Code	Unit weight		Package weight		Package dimensions (WxHxL)		Master carton unit
	kg	lb	kg	lb	cm	in	
HPV42K1A160	1.5	3.3	1.8	3.9	16.5x15.5x49		10

ACCESSORIES

OHPVS42A000	Sunshield
OHEPS19B	Wide range camera power supply IN 100-240Vac - OUT 12Vdc, 1A
OHEPS20	Camera power supply IN 230Vac - OUT 24Vac, 400mA
OHEGBPS1B	Wide range camera power supply IN 100-240Vac - OUT 12Vdc in weatherproof box, 1A
OHEGBPS2B	Camera power supply IN 230Vac - OUT 24Vac in weatherproof box, 400mA
OWBIP2	Kit special gaskets (3xM16) to allow protection IP66/IP67 for WBOVA2 and WCM4A2 brackets
OHEGBB	Weatherproof junction box, IP55
OSUPPIR	Bracket for mounting 1 IR50/IRBD infrared illuminator

BRACKETS AND ADAPTORS

WBJA	Wall bracket with ball joint
WBOVA2	Wall bracket with internal cable channel
WBOV3A2	Wall bracket with internal cable channel, support plate and integrated junction box
WCM3A	Ceiling bracket with ball joint
WCM5A	Ceiling bracket with ball joint
WCM4A2	Ceiling bracket with internal cable channel
WFWCA	Column mount with ball joint

SPARE PARTS

DOTHPV04	Cable glands, gaskets and screws kit
OHPV42CS04	Complete upper body