

TECHNICAL SPECIFICATION:

# OUTSOURCE PLUS

## Features

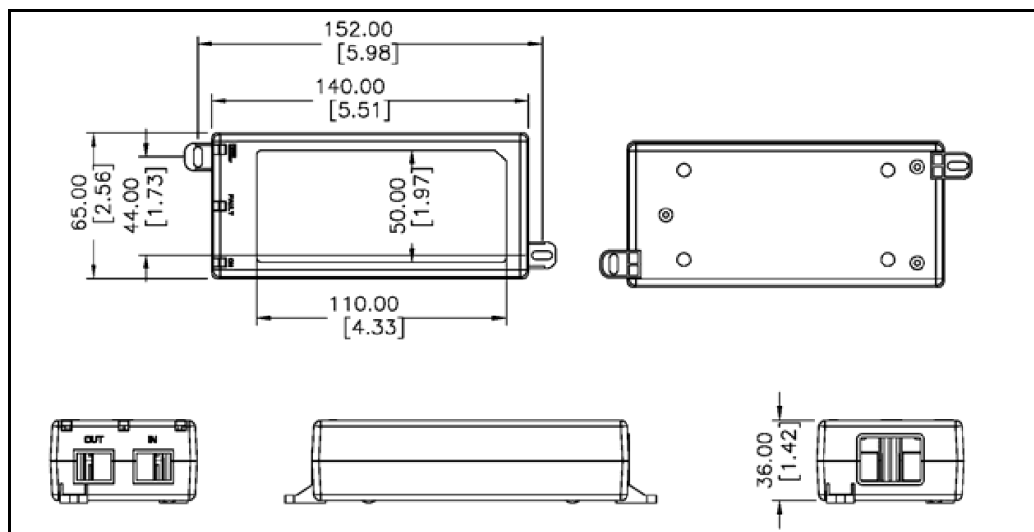
- Fully Compliant IEEE802.3af/at Power over Ethernet Plus (PoE Plus) midspan injector
- 10/100/Gigabit Ethernet compatible
- Diagnostic LEDs
- Full OCP, OVP protection
- Non-vented case
- Delivers enhanced PoE to Veracity OUTREACH products for extended range and power

## Example PoE devices that can be used with OUTSOURCE

- PTZ Security cameras
- IP video phones
- Wireless-N network access points
- OUTREACH Plus Ethernet and high-power PoE range extender
- OUTREACH QUAD PoE-forwarding Ethernet switch

## Mechanical Characteristics

- Length: 140mm (5.51in)
- Width: 65mm (2.55in)
- Height: 36mm (1.42in)
- Weight: 0.2Kg (0.44lb)



## AC Input

Input voltage range 90 to 264VAC, 47-63Hz

Maximum input current 1.0A at 90VAC, 0.55A at 240VAC

IEC320 3 pin AC inlet connector

## Output

Nominal PoE voltage 56VDC

Maximum PoE current 0.6A

Line and load regulation  $\pm 4\%$

All 802.3af/at power classes (device power to 25.5W / equivalent PSE power 30W)

Extended power with OUTREACH Plus (1x OUTREACH and 25.5W at 200 metres)

Enhanced power for OUTREACH Quad (4x Class 2 devices at 200 metres)

## Environmental

Operating temperature -20 to +50°C

Storage temperature -25 to +65°C

Operating humidity 5 to 90%

## Immunity

ESD: EN61000-4-2. Level 3

RS: EN61000-4-3. Level 2

EFT: EN61000-4-4. Level 2

Surge: EN61000-4-5. Level 3

CS: EN61000-4-6. Level 2

Voltage Dips : EN61000-4-11

Harmonic: EN61000-3-2

## Approvals

EMC - FCC Part 15 Class B, EN55022 Class B

Safety - cUL/UL

## Indicators

ON on power good

CONNECT on IEEE802.3af device connected

CONNECT/POE PLUS on IEEE802.3at device connected

ON/CONNECT/POE PLUS blinking fault condition. PoE signature fault or overload

## Data connectors

2 x 8P8C (RJ45) - data input, data/PoE output