

Vandal-Resistant 720p HD Security Camera

- Excellent 720p HD picture quality, supporting H.264 at 30 fps
- 1.3 Megapixel (1280 x 1024) maximum resolution
- Three codecs (H.264, MPEG-4, JPEG) and a dual streaming capability
- The Exmor™ CMOS sensor incorporated to deliver high image quality and low noise



HD **1.3M**
MEGAPIXEL

Key Features

- IK10-rated vandal-resistant feature to protect the camera from destructive behaviors.
- Easy Focus/Easy Zoom functions for easy installation.
- Optical Day/Night function to switch to Day or Night mode depending on the light level.
- Recording software (RealShot Manager Lite) is bundled to start recording and monitoring instantly.
- Stream Squared function allows simultaneous streaming of two 4:3 aspect ratio videos in user selectable SD resolutions. User can select the entire image or a portion of the image from the original field of view and resize to SD resolution or lower for each stream. With this feature, the SNC-DH120T can replace two SD cameras installed in the same line of view.
- DEPA™ Intelligent Video Analytics system can be set up with a DEPA-enabled recorder.
- Analog monitor output (phono jack).
- Powered by PoE (Power over Ethernet) for simple installation.
- ONVIF™ (Open Network Video Interface Forum) software that ensures greater interoperability and more flexibility in building multiple-vendor systems.



Example



(Simulated Images)

Dual Streaming



1st Streaming
VGA video of a whole



2nd Streaming
VGA video of a cropped area

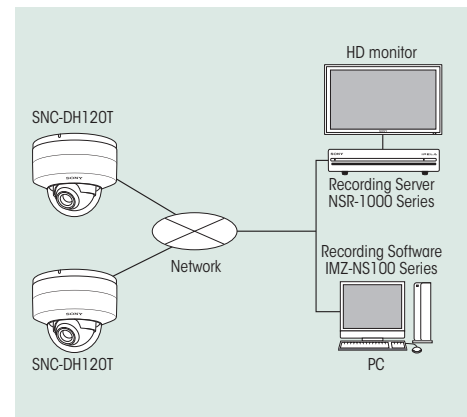
SPECIFICATIONS

SNC-DH120T	
Camera	
Image device	1/3 type progressive scan Exmor CMOS sensor
Minimum illumination	Color: 0.50lx, BW: 0.30lx (F1.2/AGC 42dB / 50IRE [IP])
Number of effective pixels (H x V)	1.4 Megapixel (1329 x 1049)
Electronic shutter speed	1 s to 1/10000s
Gain control	Auto
Exposure control	Auto, EV Compensation, Auto Slow Shutter
White balance mode	Auto (ATW, ATW-PRO), Preset, One-push WB, Manual
Lens type	Vari-focal lens
Zoom ratio	Optical 2.9X
Horizontal viewing angle	85.4 to 31.2 degrees
Focal length	f=3.1 mm to 8.9 mm
F-number	F1.2 (Wide), F2.1 (Tele)
Minimum object distance	300 mm
Powered focus	Yes (Easy Focus)
Powered zoom	Yes (Easy Zoom)
Camera Features	
Day/Night *1	Yes
Noise reduction	Yes
Image	
Codec image size (H x V)	1280 x 1024, 1280 x 960, 1280 x 800, 1280 x 720, 1024 x 768, 1024 x 576, 800 x 480, 768 x 576, 720 x 576, 720 x 480, 704 x 576, 640 x 480, 640 x 368, 384 x 288, 320 x 240, 320 x 192 (H.264, MPEG-4, JPEG)
Video compression format	H.264, MPEG-4, JPEG
Codec streaming capability	Dual streaming
Maximum frame rate	H.264: 20fps (1280 x 1024) / 30 fps (1280 x 720) MPEG-4: 25fps (1280 x 1024) / 30 fps (1280 x 720) JPEG: 30fps (1280 x 1024) / 30 fps (1280 x 720)
Scene Analytics	
Intelligent motion detection	Yes
Network	
Protocols	IPv4, IPv6, TCP, UDP, ARP, ICMP, IGMP, HTTP, HTTPS, FTP (client only), SMTP, DHCP, DNS, NTP, RTP/RTCP, RTSP, SNMP (MIB-2)
ONVIF software	Yes
Number of clients	5
Authentication	IEEE802.1X
Analog Video Output	
Signal system	NTSC / PAL
Interface	
Ethernet	10BASE-T / 100BASE-TX (RJ-45)
Analog monitor output	Phono jack x 1 (1.0 Vp-p, 75 ohms, unbalanced, sync negative)
Sensor input	x 1, make contact, break contact
Alarm output	x 1, 24V AC/DC, 1A (mechanical relay outputs electrically isolated from the camera)
General	
Weight	2 lb 1 oz (945 g), not including the cables and bracket
Dimensions	ø 5 5/8 inches x 4 3/4 inches (140 mm x 119 mm)
Power requirements	PoE (IEEE802.3af compliant)
Power consumption	6.0 W max.
Starting temperature	32°F to 122°F (0°C to 50°C)
Working temperature	14°F to 122°F (-10°C to +50°C)
Storage temperature	-4°F to +140°F (-20°C to +60°C)
Vandal resistant	IK10
Safety regulation	UL2044, FCC 15B Class A, IC Class A, IEC60950-1, EN55022(A)+EN55024+EN50130-4, VCCI Class A, C-Tick Class A
System Requirements	
Operating system	Microsoft Windows XP®, Windows Vista® (32bit), Windows® 7 (32bit)
Processor	Intel Core2 Duo® 2 GHz or higher
Memory	1 GB or more
Web browser	Microsoft Internet Explorer® Ver. 6.0, Ver. 7.0, Ver. 8.0 Firefox® Ver. 3.5 (Plug-in free viewer only) Safari® Ver. 4.0 (Plug-in free viewer only) Google® Chrome Ver. 4.0 (Plug-in free viewer only)
Supplied Accessories	
CD-ROM (User's Guides, and supplied programs) (1), Bracket (1), Template (1), Wire rope (1), Camera unit mounting screws (2), Shoulder screw M4 (1), Wrench (1), I/O cable (1), LAN cable (1), Installation Manual (1)	

*1 Removable IR Cut Filter.

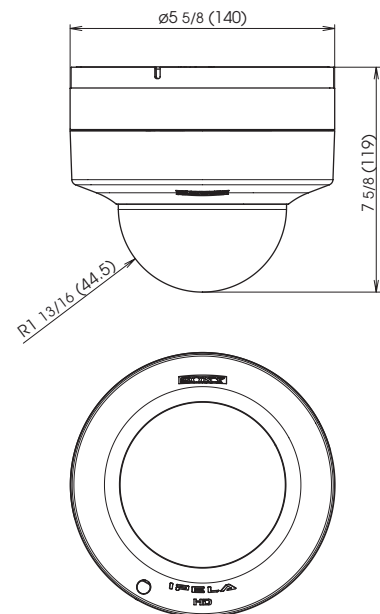
* The SNC-DH120T includes software developed by the OpenSSL Project for use in the OpenSSL Toolkit (<http://www.openssl.org/>).

SYSTEM CONFIGURATION



DIMENSIONS

Unit: inches (mm)



© 2010 Sony Electronics Inc. All rights reserved.
 Reproduction in whole or in part without written permission is prohibited.
 Features and specifications are subject to change without notice.
 Weights and measurements are approximate.
 Sony, 'make.believe', IPELA, DEPA, Exmor and their respective logos
 are trademarks of Sony.
 All other trademarks are the property of their respective owners