

Network Camera

Installation Manual

Before operating the unit, please read this manual thoroughly and retain it for future reference.

IPELA

Exmor™

HD

SNC-CH160/CH260

<http://www.sony.net/>

© 2010 Sony Corporation Printed in China

Owner's Record

The model and serial numbers are located on the camera stand. Record these numbers in the spaces provided below. Refer to these numbers whenever you call upon your Sony dealer regarding this product.

Model No. _____ Serial No. _____

WARNING

To avoid electrical shock, do not open the cabinet. Refer servicing to qualified personnel only.

WARNING

This installation should be made by a qualified service person and should conform to all local codes.

CAUTION

The rating label is located on the rear side of the camera stand.

CAUTION for LAN port

For safety reason, do not connect the LAN port to any network devices that might have excessive voltage.

The LAN port of this unit is to be connected only to the devices whose power feeding meets the requirements for SELV (Safety Extra Low Voltage) and complies with Limited Power Source according to IEC 60950-1.

Power Supply

Use IEEE802.3af standard compliant devices.

Caution for U.S.A. and Canada

In the USA, this product shall be powered by a UL listed Class 2 Power Supply Only.

In Canada, this product shall be powered by a CSA Certified Class 2 Power Supply Only.

For customers in the U.S.A.

This device complies with Part 15 of the FCC Rules. Operation is subject to the following two conditions: (1) This device may not cause harmful interference, and (2) this device must accept any interference received, including interference that may cause undesired operation.

NOTE: This equipment has been tested and found to comply with the limits for a Class A digital device, pursuant to part 15 of the FCC Rules. These limits are designed to provide reasonable protection against harmful interference when the equipment is operated in a commercial environment. This equipment generates, uses, and can radiate radio frequency energy and, if not installed and used in accordance with the instruction manual, may cause harmful interference to radio communications. Operation of this equipment in a residential area is likely to cause harmful interference in which case the user will be required to correct the interference at his own expense.

You are cautioned that any changes or modifications not expressly approved in this manual could void your authority to operate this equipment.

All interface cables used to connect peripherals must be shielded in order to comply with the limits for a digital device pursuant to Subpart B or Part 15 of FCC Rules.

For customers in Canada

This Class A digital apparatus complies with Canadian ICES-003.

Cet appareil numérique de la classe A est conforme à la norme NMB-003 du Canada.

For the customers in Europe

The manufacturer of this product is Sony Corporation, 1-7-1 Konan, Minato-ku, Tokyo, Japan.

The Authorized Representative for EMC and product safety is Sony Deutschland GmbH, Hedelfinger Strasse 61, 70327 Stuttgart, Germany. For any service or guarantee matters please refer to the addresses given in separate service or guarantee documents.

For the customers in Europe, Australia and New Zealand

WARNING

This is a Class A product. In a domestic environment, this product may cause radio interference in which case the user may be required to take adequate measures.

In the case that interference should occur, consult your nearest authorized Sony service facility.

This apparatus shall not be used in the residential area.

ATTENTION

The electromagnetic fields at specific frequencies may influence the picture of the unit.

Notes on Use

Before Use

- Do not lift the camera by only holding the cables.
- If you find condensation when you open the package, turn on the power after leaving it for about 60 minutes.
- Remove static electricity before installation and operation.

Data and security

- You should keep in mind that the images or audio you are monitoring may be protected by privacy and other legal rights, and the responsibility for making sure you are complying with applicable laws is yours alone.
- Access to the camera is protected only by a user name and the password you set up. No further authentication is provided by the camera nor should you presume that any other protective filtering is done by the service. Since the service is Internet-based, there is a risk that the image or audio you are monitoring can be viewed or used by a third-party via the network.
- SONY IS NOT RESPONSIBLE, AND ASSUMES ABSOLUTELY NO LIABILITY TO YOU OR ANYONE ELSE, FOR SERVICE INTERRUPTIONS OR DISCONTINUATIONS OR EVEN SERVICE CANCELLATION. THE SERVICE IS PROVIDED AS-IS, AND SONY DISCLAIMS AND EXCLUDES ALL WARRANTIES, EXPRESS OR IMPLIED, WITH RESPECT TO THE SERVICE INCLUDING, BUT NOT LIMITED TO, ANY OR ALL IMPLIED WARRANTIES OF MERCHANTABILITY, FITNESS FOR A PARTICULAR PURPOSE, OR THAT IT WILL OPERATE ERROR-FREE OR CONTINUOUSLY.
- Security configuration is essential for wireless LAN. Should a problem occur without setting security, or due to the limitation of the wireless LAN specifications, SONY shall not be liable for any damage, loss of recorded data or restoration thereof.
- Always make a test recording, and verify that it was recorded successfully. SONY WILL NOT BE LIABLE FOR DAMAGES OF ANY KIND INCLUDING, BUT NOT LIMITED TO, COMPENSATION OR REIMBURSEMENT ON ACCOUNT OF FAILURE OF THIS UNIT OR ITS RECORDING MEDIA, EXTERNAL STORAGE SYSTEMS OR ANY OTHER MEDIA OR STORAGE SYSTEMS TO RECORD CONTENT OF ANY TYPE.
- Always verify that the unit is operating properly before use. SONY WILL NOT BE LIABLE FOR DAMAGES OF ANY KIND INCLUDING, BUT NOT LIMITED TO, COMPENSATION OR REIMBURSEMENT ON ACCOUNT OF THE LOSS OF PRESENT OR PROSPECTIVE PROFITS DUE TO FAILURE OF THIS UNIT, EITHER DURING THE WARRANTY PERIOD OR AFTER EXPIRATION OF THE WARRANTY, OR FOR ANY OTHER REASON WHATSOEVER.
- If you lose data by using this unit, SONY accepts no responsibility for restoration of the data.

Personal information

- The images taken by the system using this device can identify individuals and thus they fall under "personal information" stipulated in the "Act on the Protection of Personal Information". Please handle the video data appropriately according to law.
- Information recorded using this product may also be "personal information". Upon disposal, transfer, repair, or any other occasion where this product or storage media is passed on to a third party, practice due care in its handling.

Operating or storage location

Avoid operating or storing the camera in the following locations.

- Extremely hot or cold places (Operating temperature: -30°C to +50°C [-22°F to +122°F])
- Close to heating equipment (e.g., near heaters)
- Close to sources of strong magnetism
- Close to sources of powerful electromagnetic radiation, such as radios or TV transmitters
- Locations subject to strong vibration or shock
- Locations subject to steam or high humidity
- Locations subject to strong wind, such as high places
- Locations where corrosive gas or flammable gas is emitted, or where salt damage may occur

Camera setting

- Don't touch the PCB board by hand directly.
- If the camera does not focus well because of the weather (such as rain), adjust the focus manually.

Ventilation

To prevent heat buildup, do not block air circulation around the camera.

Transportation

- Always turn off the power when carrying.
- When transporting the camera, repack it as originally packed at the factory or in materials of equal quality.

Using in cold climates

This device is equipped with a built-in heater which automatically operates when the internal temperature drops significantly low. However, the heater may not defrost snow and frost attached on the lens cover under certain environment condition.

Starting and closing under low temperature

When started under temperature conditions of 0°C (32°F) or below, the camera system may not start operating immediately after start-up. In such a case, the heater and the IR LED starts and raises the internal temperature, starting the camera system. It may take about one hour for the camera system to start streaming normal images.

Cleaning

- Use a blower to remove dust from the lens cover.
- Use a soft, dry cloth to clean the external surfaces of the camera. Stubborn stains can be removed using a soft cloth dampened with a small quantity of detergent solution, then wipe dry.
- Do not use volatile solvents such as alcohol, benzene or thinners as they may damage the surface finishes.

To install the camera outdoors

It is better to install the camera in an environment of low humidity.

Note on laser beams

Laser beams may damage image sensors. You are cautioned that the surface of image sensors should not be exposed to laser beam radiation in an environment where a laser beam device is used.

Phenomena Specific to Image Sensors

The following phenomena that may occur in images are specific to image sensors. They do not indicate a malfunction.

White flecks

Although the image sensors are produced with high-precision technologies, fine white flecks may be generated on the screen in rare cases, caused by cosmic rays, etc.

This is related to the principle of image sensors and is not a malfunction.

The white flecks especially tend to be seen in the following cases:

- when operating at a high environmental temperature
- when you have raised the gain (sensitivity)
- when using the slow shutter

Aliasing

When fine patterns, stripes, or lines are shot, they may appear jagged or flicker.

About the Supplied Manuals

Installation Manual (this document)

This Installation Manual describes the names and functions of parts and controls of the Network Camera, gives connection examples and explains how to set up the camera. Be sure to read the Installation Manual before operating.

User's Guide (stored in the CD-ROM)

The User's Guide describes how to set up the camera and how to control the camera via a Web browser.

After installing and connecting the camera correctly, operate referring to this User's Guide.

Using the CD-ROM Manuals

The supplied CD-ROM disc includes the User's Guides for this unit in PDF format.

Preparations

The Adobe Reader Version 6.0 or higher must be installed on your computer in order to use the guides stored in the CD-ROM disc.

Note

If Adobe Reader is not installed, it may be downloaded from the following URL: <http://www.adobe.com/>

Reading the manual in the CD-ROM

1 Insert the CD-ROM in your CD-ROM drive.

A cover page appears automatically in your Web browser. If it does not appear automatically in the Web browser, double-click on the index.htm file on the CD-ROM.

2 Select and click on the manual that you want to read.

This opens the PDF file of the manual. Clicking an item in the Table of Contents allows you jump to the relevant page.

Notes

- The files may not be displayed properly, depending on the version of Adobe Reader. In this case, install the latest version, which you can download from the URL mentioned in "Preparations" above.
- If you have lost or damaged the CD-ROM, you can purchase replacement. Contact your Sony service representative.

Adobe and Acrobat Reader are trademarks of Adobe Systems Incorporated in the United States and/or other countries.

Location and Function of Part

Front

1 I/O (Input/Output) cable (supplied)

This cable is provided with a sensor input and two alarm outputs.

The wires of the cable control the following signals.

Color of wire	Name
Red	Sensor In +
White	Sensor In - (GND)
Black	Alarm Out 1 +
Yellow	Alarm Out 1 -
Brown	Not used
Green	Not used

For details on each function and required settings, see the User's Guide stored in the supplied CD-ROM.

For the wiring, see "Connecting the I/O cable."

2 Fall-prevention wire rope mounting screw hole

When installing the camera to the ceiling or the wall, secure the supplied fall-prevention wire rope to this hole using the supplied screw.

3 IR LED

4 Lens cover

5 Lens

6 LAN cable (RJ-45) (supplied)

Connect this cable to a hub or computer on the 10BASE-T or 100BASE-TX network using a network cable (UTP, category 5).

7 Camera stand

Note

Take care not to trap the cables between the camera and the ceiling or the wall. If the cable is trapped, it may cause a fire or electric shock due to breaking.

8 Camera

Back

9 Rating Label (rear side)

This label shows the name of device and its electric rating.

10 Control panel cover

Loosen the retaining screw with the supplied wrench and open the cover in the direction shown by the arrow.

11 Camera head fixing screw

First loosen the screw with the supplied wrench and face the camera head to the desired direction, then tighten the screw to fix it.

12 POWER indicator (Green)

When power is supplied to the camera, the camera starts checking the system. If the system is normal, this indicator lights up.

13 NETWORK indicator (Green/Orange)

The indicator lights up or flashes when the camera is connected to the network. The indicator is off when the camera is not connected to the network. When 100BASE-TX is connected, the indicator turns green. When 10BASE-T is connected, the indicator turns orange.

14 NTSC/PAL indicator (Green/Orange)

The green indicator lights up when the output mode is NTSC. The orange indicator lights up when the output mode is PAL.

15 Heater indicator (Green)

The indicator lights up when the heater is active.

16 NTSC/PAL button

Switching the video output.

17 MONITOR output jack

Connect this jack to a video input connector of a video monitor. You can adjust the camera or lens while looking at the image on the video monitor. After adjusting the camera or lens, disconnect the cable. Close the cover firmly to keep the camera waterproof.

Note

Use the plug that is 11.8 mm or smaller in diameter.

18 Zoom buttons

Use the two buttons to adjust lens' zoom.

[W] WIDE: Zoom out

[T] TELE: Zoom in

19 Focus buttons (Reset switch)

Use the two buttons to adjust lens' focus.

[N] NEAR: Focus on a nearby subject

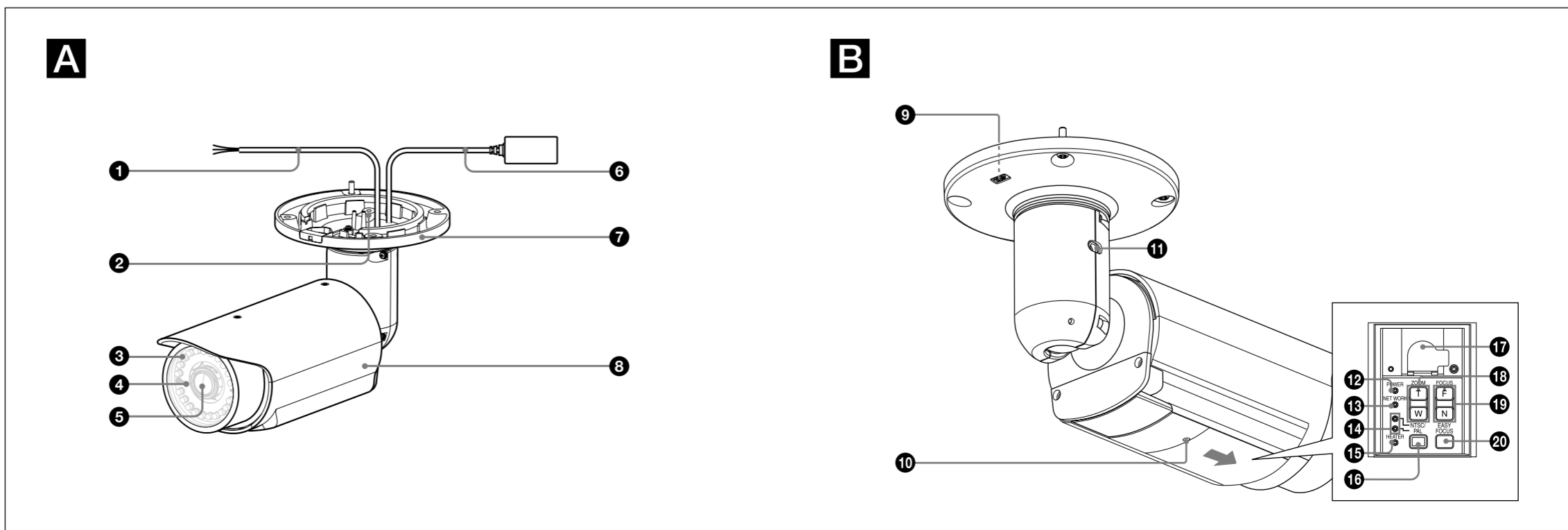
[F] FAR: Focus on a distant subject

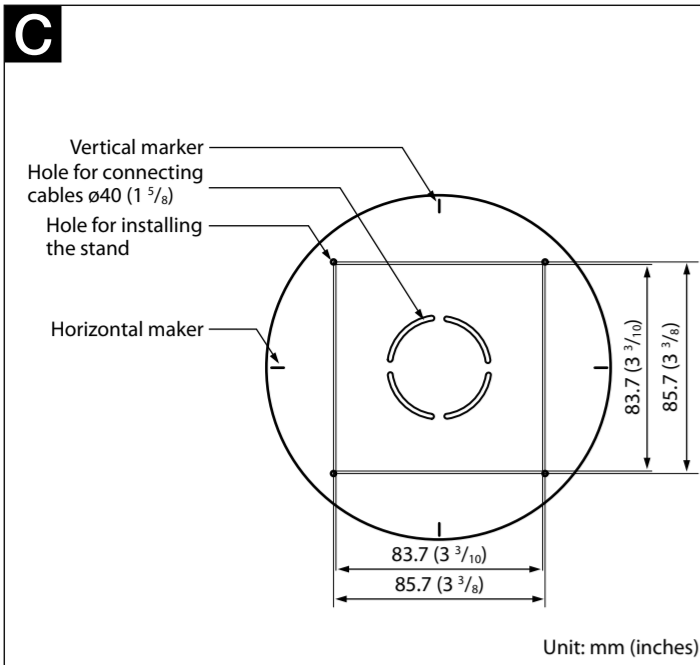
To reset the camera to its factory default settings, hold down these two buttons together and supply power to camera.

20 Easy Focus button

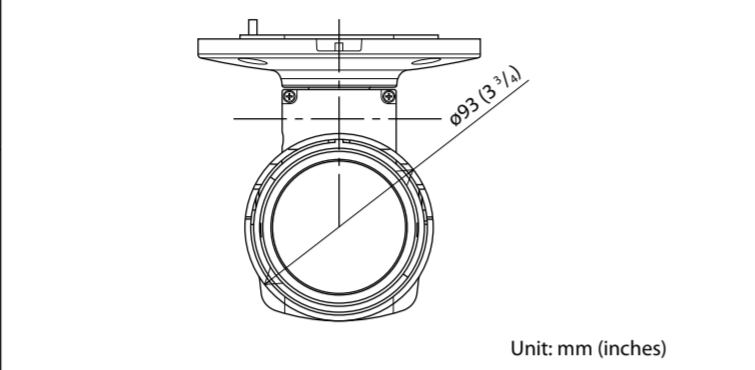
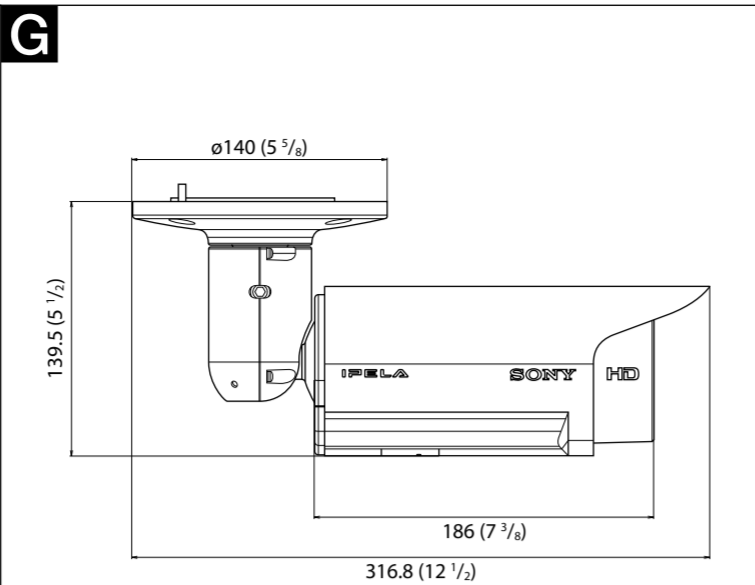
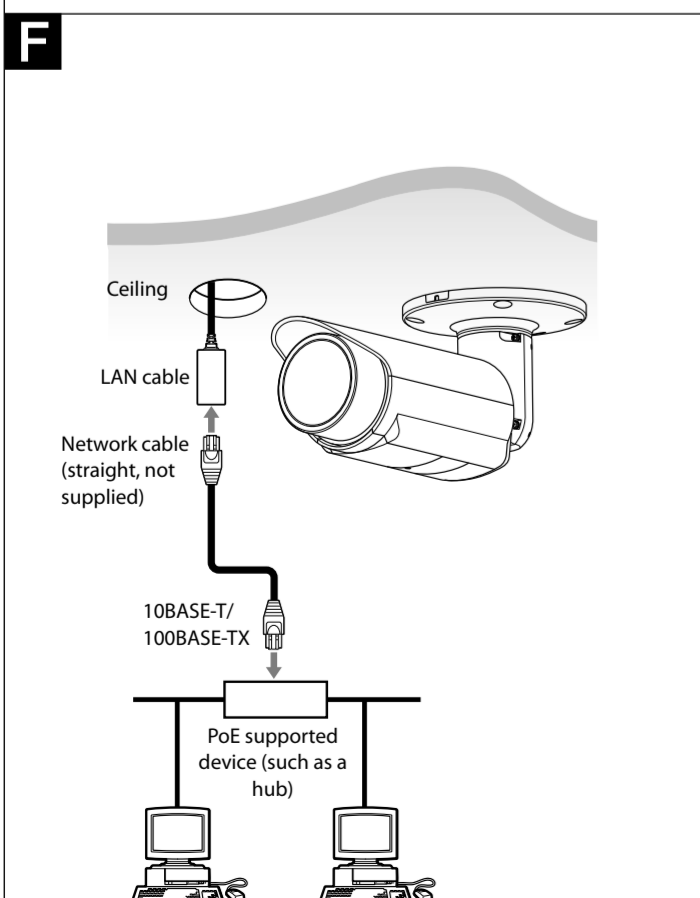
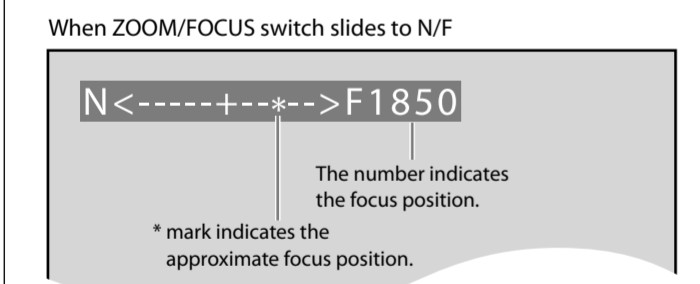
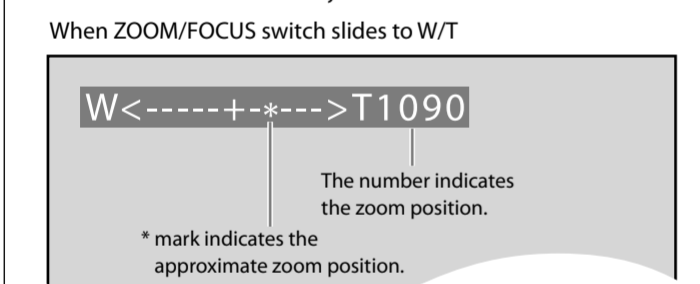
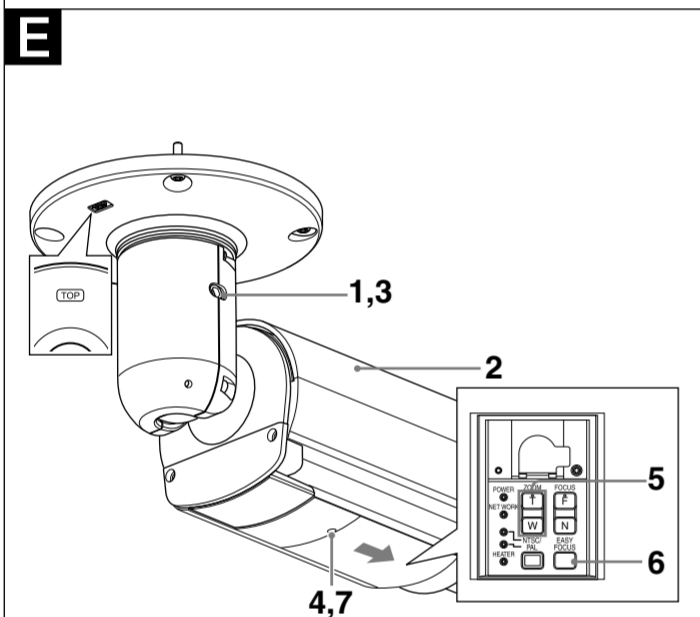
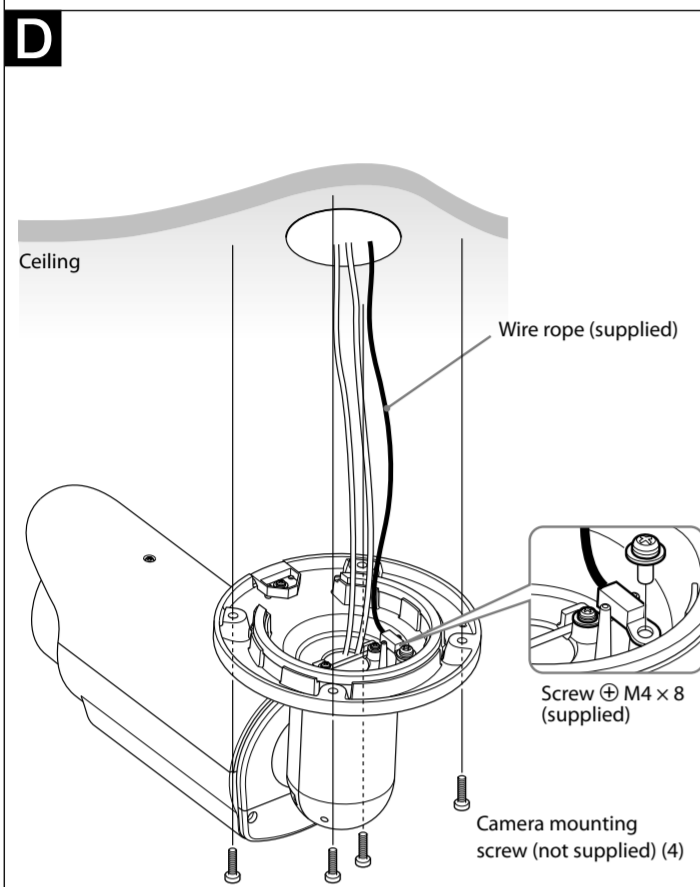
Press this button to automatically adjust the focus easily.

(continued on the reverse side)





Unit: mm (inches)



Unit: mm (inches)

Installation

WARNING

- If you attach the camera in the height such as the wall or the ceiling, etc., entrust the installation to an experienced contractor or installer.
- If you install the camera at a height, ensure that the installation location and its material are strong enough to withstand a weight of 15 kg (33 lb 1.1 oz) or more, and then install the camera securely. If they are not strong enough, the camera may fall and cause serious injury. If the ceiling is not strong enough, the camera may fall and cause serious injury.
- To prevent the camera from falling, make sure to attach the supplied wire rope.
- If you attach the camera to a high location, check periodically, at least once a year, to ensure that the connection has not loosened. If conditions warrant, make this periodic check more frequently.

Deciding the Installation Location of the Camera

After deciding the direction in which the camera will shoot, make the required hole (ø40 mm (1 1/2 inches)) for the connecting cables using the supplied template. Then decide the four mounting hole positions to install the camera stand.

Mounting screws

The camera stand is provided with four ø4.5 mm (1/8 inch) mounting holes. Install the camera stand on a ceiling or wall with screws through four mounting holes. The required mounting screws differ depending on the installation location and its material. (Mounting screws are not supplied.)

Steel wall or ceiling: Use M4 bolts and nuts.

Wooden wall or ceiling: Use M4 tapping screws. The panel thickness must be 15 mm (5/8 inch) or more.

Concrete wall: Use anchors, bolts and plugs suitable for concrete walls.

Junction box: Use screws to match the holes on the junction box.

WARNING

The required mounting screws differ depending on the installation location and its material. If you do not secure the camera with the appropriate mounting screws, the camera may fall off.

Installing the Camera

- Pass all the signal cables through the hole for the cables made at the installing surface.
- Fix the supplied wire rope to the camera unit and the ceiling or wall.
 - Fix the wire rope with the supplied Screw ⊕ M4 × 8 to the hole for the wire rope on the camera stand.
 - Fix the wire rope to the ceiling or wall.
- Install the camera on the ceiling or wall
 - Insert the four screws to the screw holes on the camera stand, and then tighten the screws to attach the camera.
 - When installing the camera on the wall, be sure the **TOP** mark on the camera stand is at top.
 - Refer to "Mounting screws" for screw to be used.

Adjusting the Camera Direction and Coverage

- Loosen the camera head fixing screw with the supplied wrench.
- Adjust the camera to turn the lens in the desired direction.
- Tighten the camera head fixing screw with the supplied wrench to fix the camera.
- Loosen the retaining screw with the supplied wrench to open the control panel cover.
- Adjust the zoom by the Zoom buttons.

The zoom indicator is displayed on the monitor.
- Press the Easy Focus button to automatically adjust the focus.
- Close the control panel cover and Tighten the retaining screw with the supplied wrench.
- Repeat steps 1 to 5 until the coverage and the focus are determined.

Notes

- When you adjust the camera head angle without loosening camera head fixing screw, an internal part may be damaged.
- If the camera head is too heavy to be adjusted, loosen the camera head fixing screw until it moves freely.
- If you cannot achieve satisfactory focus with the Easy Focus button due to the shooting environment, use the Focus buttons to focus manually. The focus indicator is displayed on the monitor.

Connection

Connect to the Network

Connect the LAN cable of the camera to a router or hub in the network using a network cable (straight, not supplied).

To connect to a computer

Connect the LAN cable of the camera to the network connector of a computer using the network cable (cross, not supplied).

Connecting the Power Source

There is only one way to supply the power source to this camera, as follows.

- Power supply equipment pursuant to IEEE802.3af (PoE* system)

*PoE means Power over Ethernet.

-In the USA, The product shall be powered by a UL listed Class 2 Power Supply only.

-In Canada, The product shall be powered by a CSA certified Class 2 Power Supply only.

Connecting to the power supply equipment pursuant to IEEE802.3af

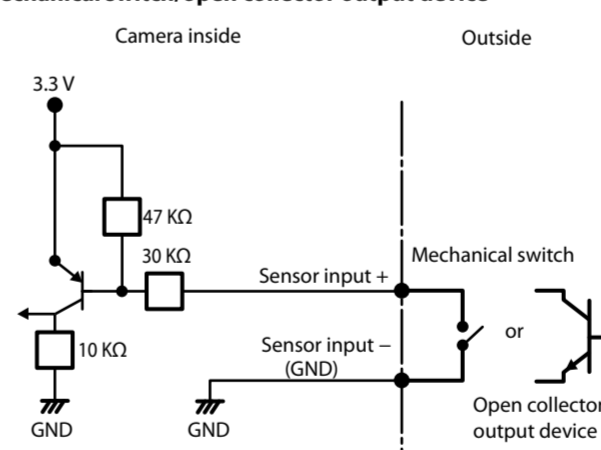
The power supply equipment pursuant to IEEE802.3af supplies the power through the LAN cable. For details, refer to the Instruction Manual of the equipment.

Connecting the I/O Cable

Connect the wires of the I/O cable as follows:

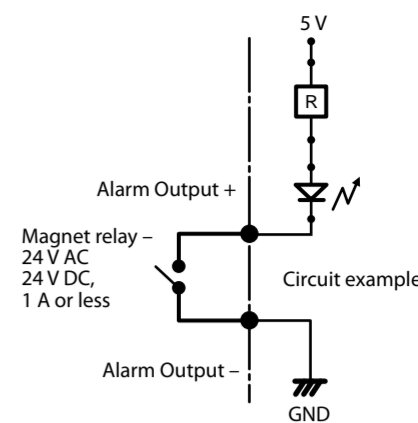
Wiring diagram for sensor input

Mechanical switch/open collector output device



Wiring diagram for alarm output

Camera inside Outside



Specifications

Compression

Video compression format	JPEG/MPEG4/H.264
Maximum frame rate	SNC-CH160: JPEG/MPEG4/H.264: 30 fps (1280 × 720) JPEG: 30 fps (1280 × 1024) MPEG4: 25 fps (1280 × 1024) H.264: 20 fps (1280 × 1024) SNC-CH260: JPEG: 16 fps (1920 × 1080) / 12 fps (1920 × 1440) MPEG4: 20 fps (1920 × 1080) / 15 fps (1920 × 1440) H.264: 30 fps (1920 × 1080) / 20 fps (1920 × 1440)

Camera

IR LED	21 pcs
IR working distance	SNC-CH160: 25 m (50 IRE) SNC-CH260: 18 m (50 IRE)
Signal system	NTSC color system/PAL color system (switchable)
Image device	SNC-CH160: 1/3 type CMOS (Exmor) Effective picture elements: Approx. 1,390,000 SNC-CH260: 1/2.8 type CMOS (Exmor) Effective picture elements: Approx. 3,270,000
Synchronization	Internal synchronization
Minimum illumination	SNC-CH160: F1.2/AGC 42 dB/50 IRE (IP) Color 0.50 lx Black & White 0 lx (IR On) SNC-CH260: F1.2/AGC 42 dB/50 IRE (IP) Color 0.70 lx Black & White 0 lx (IR On)

Lens

Focal length	3.1 mm to 8.9 mm
Maximum relative aperture	F1.2 ~ F2.1
View angle	SNC-CH160: Vertical: 67.4° to 25.0° (1280 × 1024) Horizontal: 85.4° to 31.2° SNC-CH260: Vertical: 65.2° to 24.2° (1920 × 1440) Horizontal: 88.5° to 32.3°
Minimum object distance	300 mm

Interface

LAN port	10BASE-T/100BASE-TX, auto negotiation (RJ-45)
Sensor input	× 1, make contact, break contact
Alarm output	× 1, 24 V AC/DC, 1 A (mechanical relay outputs electrically isolated from the camera)

Others

Power supply	IEEE802.3af compliant (PoE system)
Power consumption	12.9 W max.
Operating temperature (IEEE802.3af (PoE SYSTEM))	Start temperature: -20°C to +50°C (-4°F to +122°F) Working temperature: -30°C to +50°C (-22°F to +122°F) -20°C to +60°C (-4°F to +140°F)
Storage temperature	-20°C to +60°C (-4°F to +140°F)
Operating humidity	20% to 80% (Non-condensing)
Storage humidity	20% to 95%
Dimensions (camera body)	ø93 mm × 186 mm (3 3/8 inches × 7 3/8 inches) not including the projecting parts

Mass
Supplied accessories

Approx. 1.52 kg (3 lb 5.6 oz)
CD-ROM (User's Guides, and supplied programs) (1), Template (1), Wire rope (1), Screw ⊕ M4 × 8 (1), Wrench (1), Installation Manual (this document) (1 set)

Design and specifications are subject to change without notice.

Recommendation of Periodic Inspections

In case using this device over an extended period of time, please have it inspected periodically for safe use. It may appear flawless, but the components may have deteriorated over time, which may cause a malfunction or accident. For details, please consult the store of purchase or an authorized Sony dealer.