

## Vision with Precision for HD Security

Sony introduces the powerful addition to its network HD camera lineup, the SNC-CH140.

This dual-stream network HD camera, supporting H.264, MPEG-4, and JPEG compression formats, deliver excellent picture quality in HD 720p resolution at 30 frames per second (fps).

Incorporating the new "Exmor™" CMOS image sensor from Sony, which is specially designed for surveillance applications, this camera features state-of-the-art image-enhancement technology, such as View-DR which realizes an extremely wide dynamic range.

As a result, this camera provides not only high-quality HD images but also HD images with excellent sensitivity and visibility even in challenging lighting environments.

The SNC-CH140 Fixed Network Camera is the ideal choice for the most demanding surveillance monitoring applications.



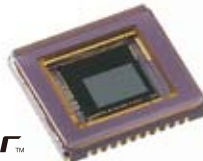
# HD

### Fixed Network HD Camera SNC-CH140

#### FEATURES

- Superior HD\*1 picture quality, supporting H.264 at 30 fps
- Three codecs (H.264, MPEG-4, JPEG) and dual streaming capability
- The new "Exmor" CMOS sensor realizes high image quality and low noise for surveillance

# HD



*Exmor™*

- Images with very high visibility with View-DR technology - the combination of Sony's cutting-edge technologies:
  - Full-capture Wide-D technology - all of the electrons converted from the captured light are fully used
  - High-speed "Exmor" CMOS sensor
  - Visibility enhancer technology

#### View-DR



(Actual images)

- XDNR (eXcellent Dynamic Noise Reduction) technology for clear images without motion blur under low illumination



(Actual images)

- Easy Focus function
- DEPA Advanced Intelligent Video and Audio Analytics trigger an alarm, based on user-defined rules
  - Intelligent Motion Detection with virtual borderline function
  - Tamper Alarm



- Power over Ethernet (PoE) capability
- CF slot for on-board recording/wireless capability
- ONVIF conformance (Open Network Video Interface Forum)



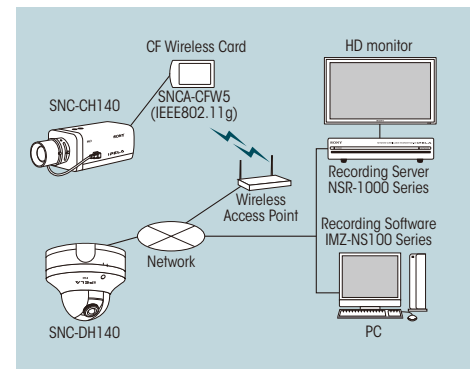
\*1 1280 x 720

# SPECIFICATIONS

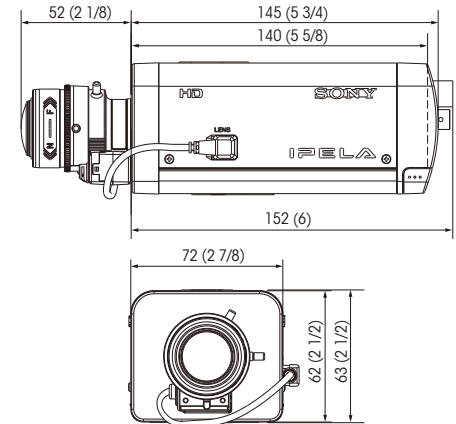
SNC-CH140	
<b>Camera</b>	
Image device	1/3-type progressive scan "Exmor" CMOS sensor
Minimum illumination	Color : 0.20 lx, B/W : 0.10 lx (F1.2/View-DR OFF/XDNR ON-Middle/VE OFF/AGC High/50 IRE(IP))
Number of effective pixels (H x V)	Approx. 1.4 Megapixel
Electronic shutter speed	1s to 1/10000s
Auto gain control	Max. gain setting LOW, MID, HIGH
Exposure control	Auto, EV Compensation*, Auto Slow Shutter*
White balance mode	Auto (ATW, ATW-Pro), Preset, One-push WB, Manual
Lens type	CS Mount lens
Zoom ratio	Approx. 2.9X
Horizontal viewing angle	33.9 to 96.5 degrees
Focal length	f=2.8 to 8.0 mm
F-number	F1.2 (wide), F1.9 (tele)
Powered Focus	Yes (Easy Focus)
Powered Zoom	No
<b>Camera Features</b>	
Day/Night*3	Yes
Wide-D	View-DR*4 (125 dB: Theoretical)
Image enhancement	Visibility Enhancer
Noise reduction	XDNR
<b>Image</b>	
Codec image size (H x V)	1280 x 1024, 1280 x 960, 1280 x 800, 1280 x 720, 1024 x 768, 1024 x 576, 800 x 480, 768 x 576, 640 x 480, 640 x 368, 384 x 288, 320 x 240, 320 x 192
Video compression format	H.264, MPEG-4, JPEG
Maximum frame rate	H.264/MPEG-4/JPEG: 30 fps (1280 x 720)
<b>Audio</b>	
Audio compression	G.711/G.726
<b>Scene Analytics</b>	
Intelligent motion detection	Yes (with built-in Post Filter)
Intelligent object detection	No
<b>Network</b>	
Protocols	IPv4, IPv6, TCP, UDP, ARP, ICMP, IGMP, HTTP, HTTPS, FTP (client/server), SMTP, DHCP, DNS, NTP, RTP/RTCP, RTSP, SNMP (MIB-2)
ONVIF conformance	Yes
Wireless network	Yes (with option*)
Number of clients	10
Authentication	IEEE802.1X
<b>Analog Video Output</b>	
Signal system	NTSC/PAL
Horizontal resolution	600 TVL
S/N ratio	More than 50 dB
<b>Interface</b>	
Ethernet	10BASE-T / 100BASE-TX (RJ-45)
Serial interface	No
Card slots	CF card x1
Analog video output	Composite video (1Vp-p)
Sensor input	x 1
Alarm output	x 2
External microphone input	Mini-jack (monaural), MIC IN/LINE IN: 2.5 V DC plug-in power
Audio line output	Mini-jack (monaural), Max output level: 1 Vrms
<b>General</b>	
Mass	Approx. 600 g (1 lb 2 oz)
Dimensions (W x H x D)	72 x 63 x 197 mm (2 7/8 x 2 1/2 x 7 7/8 inches)
Power requirements	PoE, AC 24 V, DC 12 V
Power consumption	9.0 W max.
Operating temperature	-10 to +50 °C*6 (-14 to 122 °F)
Storage temperature	-20 to +60 °C (-4 to 140 °F)
<b>System Requirements</b>	
Operating system	Windows XP, Windows Vista
Processor	Intel Core2 Duo 2 GHz or higher
Memory	1 GB or more
Web browser	Microsoft Internet Explorer Ver6.0, Ver7.0
<b>Supplied Accessories</b>	
	CD-ROM (User's guides, SNC Toolbox), Installation manual, Wire rope, Warranty booklet

\*1 Visibility Enhancer off mode only \*2 View-DR off mode only \*3 Removable IR Cut Filter \*4 View-DR technology is a combination of Sony's full-capture Wide-D technology, the high-speed "Exmor" CMOS sensor, and Visibility Enhancer. \*5 With optional SNCA-CFW5 \*6 Cold start temperature must be greater than 0°C.

# SYSTEM CONFIGURATIONS

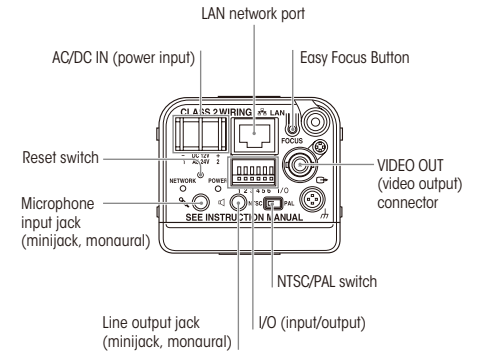


# DIMENSIONS



Unit: mm (inches)

# CONNECTORS



\* The SNC-CH140 include software developed by the OpenSSL Project for use in the OpenSSL Toolkit (<http://www.openssl.org/>).

## Distributed by

© 2010 Sony Corporation. All rights reserved. Reproduction in whole or in part without written permission is prohibited. Features and specifications are as of version 1.0 or later and subject to change without notice. The values for weight and dimension are approximate. Sony is a registered trademark of Sony Corporation. IPELA and "Exmor" are trademarks of Sony Corporation. Windows, XP, and Vista are trademarks of Microsoft Corporation. Core is a trademark of Intel Corporation. All other trademarks are the property of their respective owners.