

# Video Network Station

## Installation Manual

Before operating the unit, please read this manual thoroughly and retain it for future reference.

## IPELA

## SNT-EX101

<http://www.sony.net/>

© 2009 Sony Corporation Printed in China

## Owner's Record

The model and serial numbers are located on the bottom of the unit. Record these numbers in the spaces provided below. Refer to these numbers whenever you call upon your Sony dealer regarding this product.

Model No. \_\_\_\_\_ Serial No. \_\_\_\_\_

## WARNING

**To reduce a risk of fire or electric shock, do not expose this product to rain or moisture.**

**To avoid electrical shock, do not open the cabinet. Refer servicing to qualified personnel only.**

### WARNING

This installation should be made by a qualified service person and should conform to all local codes.

### CAUTION

The rating label is located on the bottom.

### CAUTION

These servicing instructions are for use by qualified personnel only. To reduce the risk of electric shock, do not perform any servicing other than that contained in the Operating Instructions unless you are qualified to do so.

Refer all servicing to qualified service personnel.

### Power Supply

#### Caution for U.S.A. and Canada

The SNT-EX101 operates on 24 V AC, 50/60 Hz, maximum 100VA. The SNT-EX101 automatically detects the power. Use a Limited Power Source which is UL Listed (in the U.S.A.) or CSA-certified (in Canada).

#### Caution for other countries

The SNT-EX101 operates on 24 V AC, 50/60 Hz, maximum 100VA. The SNT-EX101 automatically detects the power.

Use a power supply rated 24 V AC which meets the requirements for SELV (Safety Extra Low Voltage) and complies with Limited Power Source according to IEC 60950-1.

#### For customers in the U.S.A.

This device complies with Part 15 of the FCC Rules. Operation is subject to the following two conditions: (1) This device may not cause harmful interference, and (2) this device must accept any interference received, including interference that may cause undesired operation.

NOTE: This equipment has been tested and found to comply with the limits for a Class A digital device, pursuant to part 15 of the FCC Rules. These limits are designed to provide reasonable protection against harmful interference when the equipment is operated in a commercial environment. This equipment generates, uses, and can radiate radio frequency energy and, if not installed and used in accordance with the instruction manual, may cause harmful interference to radio communications. Operation of this equipment in a residential area is likely to cause harmful interference in which case the user will be required to correct the interference at his own expense.

You are cautioned that any changes or modifications not expressly approved in this manual could void your authority to operate this equipment.

All interface cables used to connect peripherals must be shielded in order to comply with the limits for a digital device pursuant to Subpart B or Part 15 of FCC Rules.

#### For customers in Canada

This Class A digital apparatus complies with Canadian ICES-003.

Cet appareil numérique de la classe A est conforme à la norme NMB-003 du Canada.

#### For the customers in Europe

The manufacturer of this product is Sony Corporation, 1-7-1 Konan, Minato-ku, Tokyo, Japan.

The Authorized Representative for EMC and product safety is Sony Deutschland GmbH, Hedelfinger Strasse 61, 70327 Stuttgart, Germany.

For any service or guarantee matters please refer to the addresses given in separate service or guarantee documents.

#### For the customers in Europe, Australia and New Zealand

### WARNING

This is a Class A product. In a domestic environment, this product may cause radio interference in which case the user may be required to take adequate measures.

In the case that interference should occur, consult your nearest authorized Sony service facility.

This apparatus shall not be used in the residential area.

### WARNING

This unit has no power switch.

When installing the unit, incorporate a readily accessible disconnect device in the fixed wiring. If a fault should occur during operation of the unit, operate the disconnect device to switch the power supply off.

## Notes on Use

### Before Use

If you find condensation when you open the package, turn on the power after leaving it for about 60 minutes.

### Data and security

- You should keep in mind that the images or audio you are monitoring may be protected by privacy and other legal rights, and the responsibility for making sure you are complying with applicable laws is yours alone.
- Access to the images and audio is protected only by a user name and the password you set up. No further authentication is provided nor should you presume that any other protective filtering is done by the service. Since the service is Internet-based, there is a risk that the image or audio you are monitoring can be viewed or used by a third-party via the network.
- SONY IS NOT RESPONSIBLE, AND ASSUMES ABSOLUTELY NO LIABILITY TO YOU OR ANYONE ELSE, FOR SERVICE INTERRUPTIONS OR DISCONTINUATIONS OR EVEN SERVICE CANCELLATION. THE SERVICE IS PROVIDED AS-IS, AND SONY DISCLAIMS AND EXCLUDES ALL WARRANTIES, EXPRESS OR IMPLIED, WITH RESPECT TO THE SERVICE INCLUDING, BUT NOT LIMITED TO, ANY OR ALL IMPLIED WARRANTIES OF MERCHANTABILITY, FITNESS FOR A PARTICULAR PURPOSE, OR THAT IT WILL OPERATE ERROR-FREE OR CONTINUOUSLY.
- Security configuration is essential for wireless LAN. Should a problem occur without setting security, or due to the limitation of the wireless LAN specifications, SONY shall not be liable for any damage, loss of recorded data or restoration thereof.
- Always make a test recording, and verify that it was recorded successfully. SONY WILL NOT BE LIABLE FOR DAMAGES OF ANY KIND INCLUDING, BUT NOT LIMITED TO, COMPENSATION OR REIMBURSEMENT ON ACCOUNT OF FAILURE OF THIS UNIT OR ITS RECORDING MEDIA, EXTERNAL STORAGE SYSTEMS OR ANY OTHER MEDIA OR STORAGE SYSTEMS TO RECORD CONTENT OF ANY TYPE.
- Always verify that the unit is operating properly before use. SONY WILL NOT BE LIABLE FOR DAMAGES OF ANY KIND INCLUDING, BUT NOT LIMITED TO, COMPENSATION OR REIMBURSEMENT ON ACCOUNT OF THE LOSS OF PRESENT OR PROSPECTIVE PROFITS DUE TO FAILURE OF THIS UNIT, EITHER DURING THE WARRANTY PERIOD OR AFTER EXPIRATION OF THE WARRANTY, OR FOR ANY OTHER REASON WHATSOEVER.
- If you lose data by using this unit, SONY accepts no responsibility for restoration of the data.

### Personal information

- The images taken by the system using this device can identify individuals and thus they fall under "personal information" stipulated in the "Act on the Protection of Personal Information". Please handle the video data appropriately according to law.
- Information recorded using this product may also be "personal information". Upon disposal, transfer, repair, or any other occasion where this product or storage media is passed on to a third party, practice due care in its handling.

### Operating or storage location

Avoid operating or storing the camera in the following locations.

- Extremely hot or cold places (Operating temperature: 0°C to +50°C [32°F to 122°F])
- Exposed to direct sunlight for a long time, or close to heating equipment (e.g., near heaters)
- Close to sources of strong magnetism
- Close to sources of powerful electromagnetic radiation, such as radios or TV transmitters
- Locations subject to strong vibration or shock

### Ventilation

To prevent heat buildup, do not block air circulation around the unit.

### Transportation

- Always turn off the power when carrying.
- When transporting the unit, repack it as originally packed at the factory or in materials of equal quality.

### Cleaning

- Use a soft, dry cloth to clean the external surfaces of the camera. Stubborn stains can be removed using a soft cloth dampened with a small quantity of detergent solution, then wipe dry.
- Do not use volatile solvents such as alcohol, benzene or thinners as they may damage the surface finishes.

Please consult the store of purchase or authorized Sony dealer if there were troubles and anomalies.

## About the Supplied Manuals

### Installation Manual (this document)

This Installation Manual describes the names and functions of parts and controls of the Video Network Station, gives connection examples and explains how to set up the unit. Be sure to read the Installation Manual before operating.

### User's Guide (stored in the CD-ROM)

The User's Guide describes how to set up the Video Network Station and how to control the unit via a Web browser.

After installing and connecting the Video Network Station correctly, operate by referring to this User's Guide.

### Using the CD-ROM Manuals

The supplied CD-ROM disc includes the User's Guides for this unit (Japanese, English, French, German, Spanish, Italian and Chinese versions) in PDF format.

### Preparations

Adobe Reader Version 6.0 or higher must be installed on your computer in order to use the User's Guide stored in the CD-ROM disc.

### Note

If Adobe Reader is not installed, it may be downloaded from the following URL: <http://www.adobe.com/>

### Reading the manual in the CD-ROM

#### 1 Insert the CD-ROM in your CD-ROM drive.

A cover page appears automatically in your Web browser. If it does not appear automatically in the Web browser, double-click on the index.htm file on the CD-ROM.

#### 2 Select and click on the manual that you want to read.

This opens the PDF file of the manual. Clicking an item in the Table of Contents allows you jump to the relevant page.

### Notes

- The files may not be displayed properly, depending on the version of Adobe Reader. In this case, install the latest version, which you can download from the URL mentioned in "Preparations" above.
- If you have lost or damaged the CD-ROM, you can purchase a replacement. Contact your Sony service representative.

Adobe and Acrobat Reader are trademarks of Adobe Systems Incorporated in the United States and/or other countries.

## Location and Function of Parts

### Front

#### 1 NETWORK indicator (green)

When the video network station turns on, an internal system check is performed.

The indicator lights up when the unit is operating properly.

#### 2 NETWORK indicator (green)

The indicator lights up or flashes in green when the unit is connected to the network. The indicator is off when the unit is not connected to the network.

#### 3 24 V AC power terminal

(IN) Connects to 24 V AC power source.

(OUT) Used when connecting to other devices. Connect as shown in Figure B. The number of devices that can be connected depends on the capacity of the power supply.

### Note

The IN and OUT terminals are directly connected.

### Rear

#### 4 (microphone input/line input) terminal (mini-jack, monoral)

Connect a commercially-available microphone when using the microphone input.

The plug-in power system (reference voltage 2.5 V DC is supported). Input between microphone and line input is user-switchable.

#### 5 (line output) terminal (minijack, monaural)

Connect to a speaker with a built-in amplifier.

#### 6 Video input terminal (BNC)

Inputs composite video signal.

#### 7 Video output terminal (BNC)

Outputs composite video signals.

Video input from the video input terminal is output by loop-through. However, video signals are not output when the power of the device is off.

#### 8 LAN (network) port (RJ45)

Connect to the 10BASE-T or 100BASE-TX network using a network cable (UTP, category 5).

### CAUTION for LAN port

For safety reason, do not connect the LAN port to any network devices that might have excessive voltage.

The LAN port of this unit is to be connected only to the devices whose power feeding meets the requirements for SELV (Safety Extra Low Voltage) and complies with Limited Power Source according to IEC 60950-1.

### CAUTION

When you connect the LAN cable of the unit to peripheral device, use a shielded-type cable to prevent malfunction due to radiation noise.

### I/O (Input/Output) port

The device is provided with an RS-422/485 port, two sensor inputs and two alarm outputs.

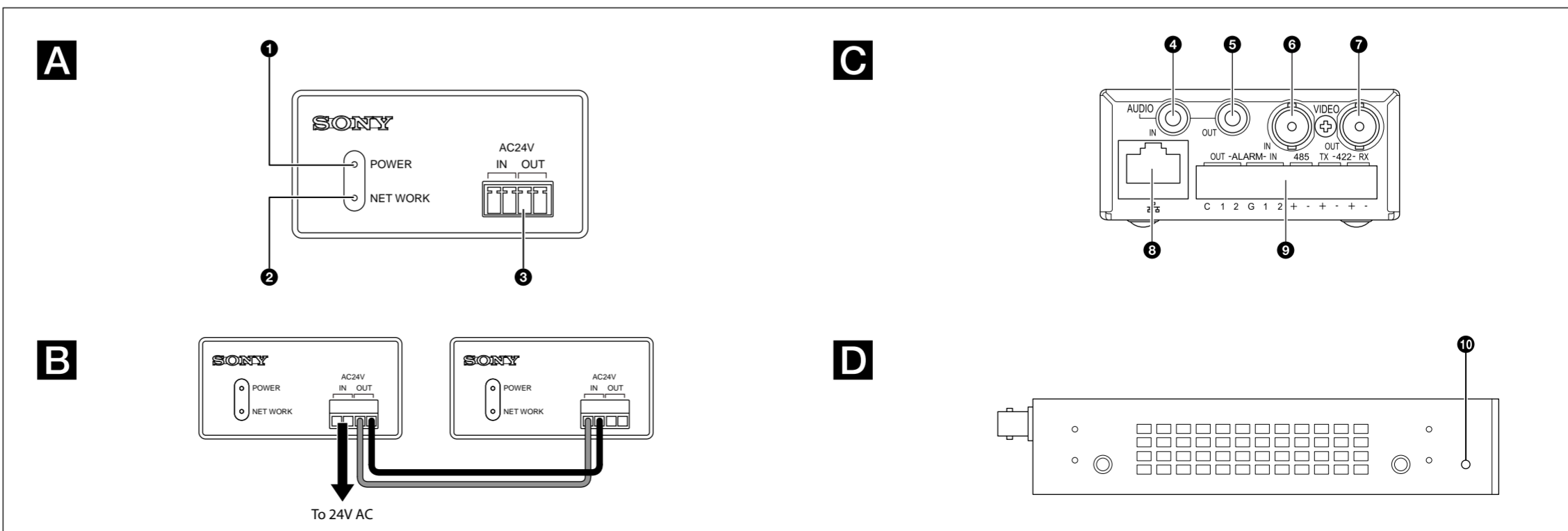
Pin No.	Indication	Functions
1	"ALARM OUT"	C Common terminal for alarm output
2		1 Alarm output 1 (floating)
3		2 Alarm output 2 (floating)
4	"ALARM IN /485 /TX 422 RX"	G ALARM IN/RS-485/RS-422 reference GND
5		1 Alarm input 1 (GND level reference)
6		2 Alarm input 2 (GND level reference)
7		+ RS-485 (+) input/output (GND level reference)
8		- RS-485 (-) input/output (GND level reference)
9		+ RS-422 (+) output (GND level reference)
10		- RS-422 (-) output (GND level reference)
11		+ RS-422 (+) input (GND level reference)
12		- RS-422 (-) input (GND level reference)

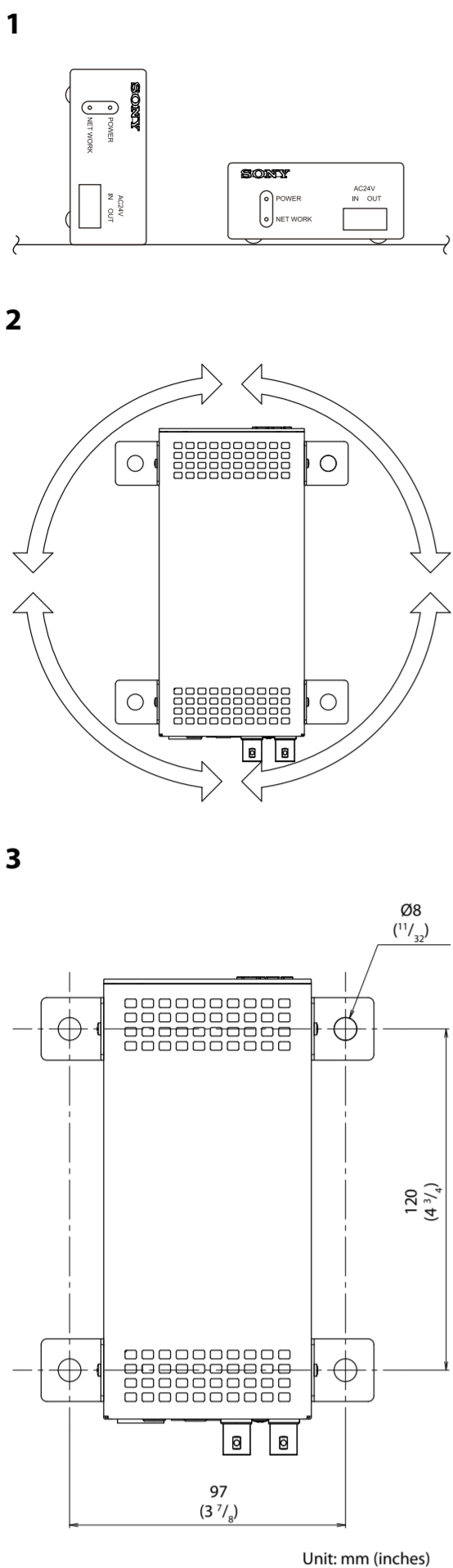
### Side

#### 10 Reset switch

To reset the unit to the factory default settings, supply the power to the unit, while holding down this switch with a pointed object.

(continued on the reverse side)



**E****Installation****Installing USB memory devices**

You can record video data in USB memory devices.  
To use this function, consult the store of purchase or an authorized Sony dealer.

**Orientation**

Install this product with the orientation specified in Service Manual (Fig. E 1).  
When installing this product on a wall, mount the attachment brackets by installing merchant lag screws or M6 screws into the screw holes without any directional limits (Fig. E 2).  
Do not use the attachment brackets for vertical installation. Consult the store of purchase or an authorized Sony dealer if vertical installation is required.

**Connection****Connecting to the Network**

Connect the LAN port of the unit to a router or hub in the network using the network cable (straight, not supplied).

**To connect to a computer**

Connect the LAN port of the unit to the network connector of a computer using the network cable (cross, not supplied).

**Connecting the Power Source**

Connect the 24 V AC power supply unit to the power input terminal of the device.

- Use power supply unit that is isolated from 100V AC power supply unit, when you use 24 V AC power supply unit.

**Specifications****Compression**

Video compression format JPEG/MPEG4/H.264  
Audio compression format G.711/G.726 (40, 32, 24, 16 kbps)  
Maximum frame rate 30 fps

**Interface**

Network port 10BASE-T/100BASE-TX, auto negotiation (RJ-45)  
I/O port Sensor input : × 2  
Alarm output : × 2  
(electrically isolated from the unit)  
Camera control interface: ×1 (RS-485/RS-422)

Microphone input/Line input (switchable by setting)  
Minijack (monaural)  
Microphone input: Supports plug-in power system (reference voltage 2.5 V DC)  
Minijack (monaural)

**Line output****Others**

Power supply 24 V AC, 50/60 Hz  
Consumption current 0.4 A  
3 A (with Output Current)  
2.6 A max.  
AC 24V output  
Operating temperature 0 °C to +50 °C (32 °F to 122 °F)  
Storage temperature -20 °C to +60 °C (-4 °F to +140 °F)  
Operating humidity 20% to 80% (no condensation)  
Storage humidity 20% to 80% (no condensation)  
Dimensions G 73 × 34 × 155 mm (2 7/8 × 1 3/8 × 6 1/8 inches)  
(w/h/d) (without the projecting parts)  
Mass Approx. 0.4 kg (14 oz)  
Supplied accessories CD-ROM (User's Guide and supplied programs) (1)  
Installation Manual (this document) (1)  
B&P Warranty Booklet (1)  
I/O port connector (1)  
24 V AC connector (1)  
Attachment brackets (4)  
Attachment screws (8)

**Note**

This package may contain additional installation manuals and/or documentations for those options.

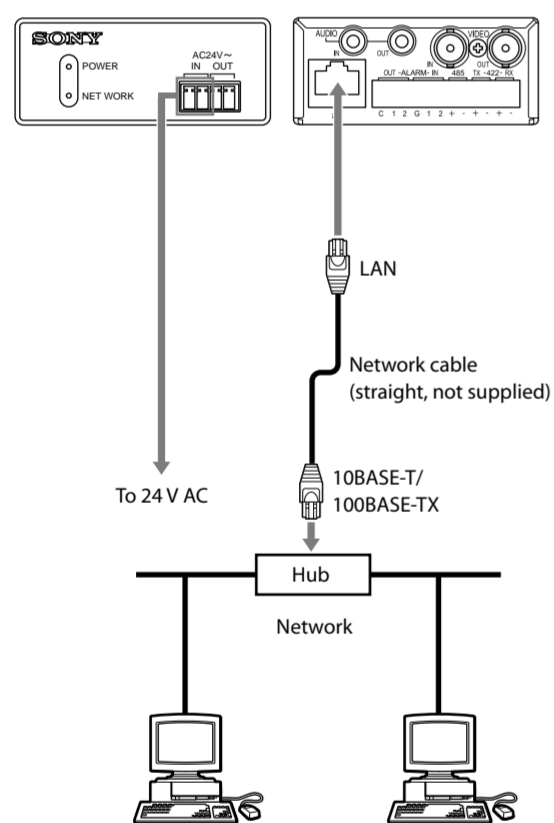
Design and specifications are subject to change without notice.

**Recommendation of Periodic Inspections**

In case using this device over an extended period of time, please have it inspected periodically for safe use.

It may appear flawless, but the components may have deteriorated over time, which may cause a malfunction or accident.

For details, please consult the store of purchase or an authorized Sony dealer.

**F****G**