

SNC-CX600

Network Fixed HD Camera – C Series


SONY
make.believe

720/30p Network Camera with White-light LED Illuminators Powered by IPELA ENGINE EX™

- Maximum resolution of 1280 x 720 pixels with the Exmor™ CMOS sensor
- Wide horizontal viewing angle of 120°
- White-light LED Illuminators for clear color images in low-light conditions
- Voice Alert function by a built-in speaker
- Passive IR (PIR) sensor for motion detection and control of camera security functions
- Edge Storage for onboard recording with a micro SD/SDHC card



KEY FEATURES

- IPELA ENGINE EX signal processing system developed based on Sony's unique signal processing and intelligent video analytics technologies to provide unique features such as XDNR and DEPA Advanced 
- White-light LED Illuminators to capture clear color images at a distance of up to 3 m (10 feet), even in complete darkness of 0 lx
- Voice Alert function to play back a warning message through a built-in speaker when the PIR sensor detects a moving object
- Passive IR (PIR) sensor to detect an object in motion, and then trigger an alarm to activate the camera's security functions such as white-light LED illuminators, Voice Alert, Edge Storage, and email notification
- Edge Storage function to record video and audio data* with a micro SD/SDHC card attached to the camera
- XDNR (eXcellent Dynamic Noise Reduction) technology for clear images without motion blur under low illumination
- Picture mode selectable from a range of camera scenes in the setting menu to optimize picture quality in various applications

* Up to 500 data files can be stored in the memory card. If more than 500 files are recorded, old ones are automatically overwritten with new ones.

- VBR (variable bitrate) or CBR (constant bitrate) compression mode selectable to correspond with various network conditions
- Smartphone viewer for accessing the camera from a smartphone
- Image Stabilizer to minimize the effect of camera shake or vibration to achieve less blurry images
- DEPA Advanced Intelligent Video Analytics to trigger an alarm based on user-defined rules 
- ONVIF (Open Network Video Interface Forum) Profile S conformance 
- Built-in speaker and microphone
- Powered by IEEE 802.3af-compliant PoE system for easy installation
- Supplied camera stand

SNC-CX600 with a camera stand and micro SD card*

* A micro SD card is not included in the camera.



Connect Your Vision

IPELA™

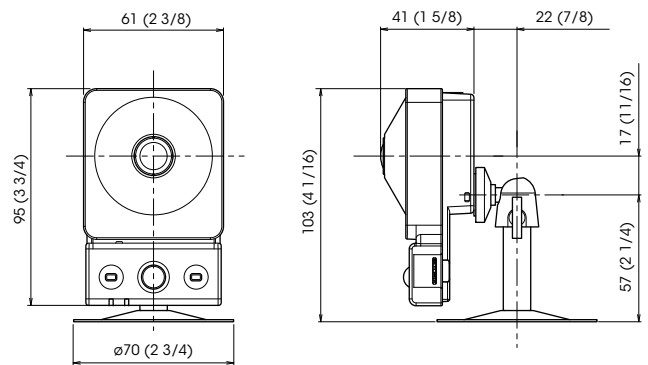
SPECIFICATIONS

	SNC-CX600
Camera	
Image Sensor	1/4-type progressive scan Exmor CMOS sensor
Number of Effective Pixels	Approx. 1.3 Megapixels
Minimum Illumination (50 IRE)	Color: 1.0 lx (F2.0, VE OFF, AGC MAX, 1/30 s, 30 fps)
Minimum Illumination (30 IRE)	Color: 0.5 lx (F2.0, VE OFF, AGC MAX, 1/30 s, 30 fps)
Dynamic Range	More than 60 dB
Gain	Auto
Shutter Speed	1/1 s to 1/10,000 s
Exposure Control	Exposure compensation, AGC, Shutter speed
White Balance	ATW, ATW-PRO, Fluorescent lamp, Mercury lamp, Sodium vapour lamp, Metal halide lamp, White LED, One push WB, Manual
Lens	
Horizontal Viewing Angle	120°
Vertical Viewing Angle	64.0°
Focal Length	f = 1.83 mm
F-Number	F2.0
Minimum Object Distance	500 mm
White-light LED Illuminator	Yes
LED Working Distance	3 m
Camera Features	
Wide-D	View-DR LFC
Tone Correction	Visibility Enhancer (VE)
Noise Reduction	XDNR
Image Stabilizer	Yes
Picture Mode	Yes
Privacy Masking (number)	20
Privacy Masking (shape)	Quadrangle formed by any four corner points
Privacy Masking (color/effect)	Opaque 14 colors (Black, White, Red, Green, Blue, Cyan, Yellow, Magenta, Gray (6 scales)), Mosaic
Edge Storage	Yes
Memory Size for Pre/Post Buffer	Approx. 8 MB
Compatibility with Cloud Service	Yes
Voice Alert	Yes
Superimpose Number	3 independent positions for characters (Codec, Date & Time, Event, Text (Max. 64 characters)), 1 independent position for logo marks
Superimpose Language	English
Menu Language	English, Japanese, Chinese (simplified), Chinese (traditional), French, Spanish, German, Italian, Korean, Portuguese, Russian, Arabic, Hindi, Vietnamese, Thai
Smartphone viewer	Yes
Video	
Resolution	1280 x 720, 1024 x 576, 720 x 576 720 x 480, 704 x 576, 640 x 480, 640 x 360, 352 x 288, 320 x 180 (H.264, JPEG)
Compression Format	H.264 (High/Main/Baseline Profile), JPEG
Maximum Frame Rate	H.264: 30 fps (1280 x 720) JPEG: 30 fps (1280 x 720)
Bitrate Compression Mode	CBR/VBR (selectable)
Range of Bitrate Setting	64 Kbps to 8 Mbps
Solid PTZ	Yes
Bandwidth Control	JPEG
Multi Streaming Capability	Triple streaming
Number of Clients	5
Intelligent Video Analytics	
Analytics Architecture	DEPA Advanced
Intelligent Motion Detection	Yes
Face Detection	Yes
Tamper Alarm	Yes
Scene Analytics	Passing, Intrusion, Left Object Detection, Removed Object Detection
Audio	
Compression Format	G.711/G.726/AAC (16 kHz, 48 kHz)
System Requirements	
Operating System	Windows XP (32 bit) Professional Edition Windows Vista (32 bit) Ultimate, Business Edition Windows 7 (32/64 bit) Ultimate, Professional Edition Windows 8 Pro (32/64 bit)
Processor	Intel Core2 CPU 6420 2.13 GHz or higher
Memory	2 GB or more
Web Browser	Microsoft Internet Explorer Ver. 7.0, Ver. 8.0, Ver. 9.0, Ver. 10.0 Firefox Ver. 19.02 (plug-in free viewer only) Safari Ver. 5.1 (plug-in free viewer only) Google Chrome Ver. 25.0 (plug-in free viewer only)

	SNC-CX600
Network	
Protocols	IPv4, TCP, UDP, ARP, ICMP, IGMP*, HTTP, DHCP, DNS, NTP, RTP/RTCP, RTSP over TCP, RTSP over HTTP, SMTP, IPv6, HTTPS, SNMP (v1, v2c, v3), SSL
QoS	DSCP
Multicast Streaming Support	Yes
ONVIF Conformance	Profile S
Wireless Network	No
Wi-Fi Certified	No
Wi-Fi Protected Setup	No
Authentication	IEEE802.1X
Interface	
Microphone Input	Built-in microphone
Line Output	Built-in speaker
Network Port	10BASE-T/100BASE-TX (RJ-45)
Card Slots	micro SD
Confirmed SD Card Type	SDHC (no support for SDXC)
General	
Power Requirements	IEEE802.3af compliant (PoE system)
Power Consumption	5.0 W max.
Operating Temperature	0°C to 50°C (32°F to 122°F)
Storage Temperature	-20°C to +60°C (-4°F to +140°F)
Operating Humidity	20% to 80%
Storage Humidity	20% to 95%
Dimensions (W x H x D)	Approx. 61 mm x 95 mm x 41 mm (2 13/32 inches x 3 3/4 inches x 1 5/8 inches)
Mass	Approx. 110 g (3.9 oz)
External Material	PC (polycarbonate)
External Color	White
Fire Retardant	UL94HB or higher
Safety Regulations	UL2044, IEC60950-1, GB4943.1, VCCI Class B, FCC Class B, IC Class B, EN55022 (Class B) + EN50130-4, EN55022 (Class B) + EN55024, EN60950-1, AS/NZS CISPR22 (Class B), RCM, EMC-TR (CU-TR), MSIP
Supplied Accessories	Camera stand (1) Screws (3) Installation manual (1) Warranty card (1) Safety regulations for network camera (1)

* SSM (Source Specific Multicast) is supported.

DIMENSIONS



Unit: mm (inches)

Distributed by

©2013 Sony Corporation. All rights reserved.

Reproduction in whole or in part without permission is prohibited. Features and specifications are subject to change without notice.

The values for mass and dimension are approximate. "SONY", "make.believe", "IPELA", "IPELA ENGINE EX", "Exmor", and "DEPA" are trademarks of Sony Corporation. All other trademarks are the property of their respective owners.