

## Vision with Precision for HD Security

Sony introduces two powerful additions to its network HD Camera lineup, the SNC-CH140 and SNC-DH140. These dual-stream network HD cameras, supporting H.264, MPEG-4, and JPEG compression formats, deliver excellent picture quality in HD resolution\*1 at 30 fps.

Incorporating the new Exmor™ CMOS image sensor from Sony, which is specially designed for security, plus state-of-the-art image-enhancement technologies such as View-DR which incorporates the latest in Wide D technology with Visibility Enhancer, and XDNR, these cameras can provide high quality HD images even under challenging backlit environments, as well as excellent sensitivity.

As a result, the SNC-CH140 Fixed Network Camera and the SNC-DH140 Mini Dome Network Camera are the ideal choice for even the most demanding surveillance monitoring applications.



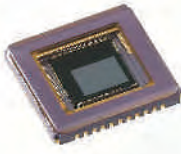
Network HD Cameras

### SNC-CH140/DH140

Preliminary

#### FEATURES

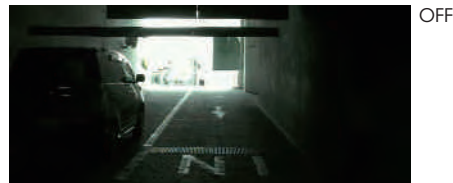
- Superb HD\*1 picture quality, supporting H.264 at 30 fps **HD**
- Three codecs (JPEG/MPEG-4/H.264) and dual encoding
- The new Exmor CMOS sensor realizes high image quality and high sensitivity for surveillance  
**Exmor™**
- **Easy Focus function/Easy Zoom function\*2**
- **DEPA™ Advanced** - Intelligent Video and Audio Analytics - trigger an alarm based on user-defined rules.
  - ▶ Intelligent Motion Detection
  - ▶ Tamper Alarm
  - ▶ Advanced Audio Detection
- Power over Ethernet (PoE) capability
- CompactFlash™ slot for on-board recording – allows streaming of locally stored data using RTP/RTCP protocol for backup purposes or post-recording reviews\*3
- ONVIF Conformance **ONVIF**  
(Open Network Video Interface Forum)



#### Drastic Improvement of Visibility

- Superb dynamic range using newly developed View-DR (Visibility Enhanced Wide Dynamic Range)

#### View-DR



Actual Images

- XDNR (eXcellent Dynamic Noise Reduction) for clear images with reduced motion blur under low illumination



OFF

ON

Actual Images

\*1 1280 x 720

\*2 Easy Zoom function is available with the SNC-DH140 only

\*3 Available with the SNC-CH140 only

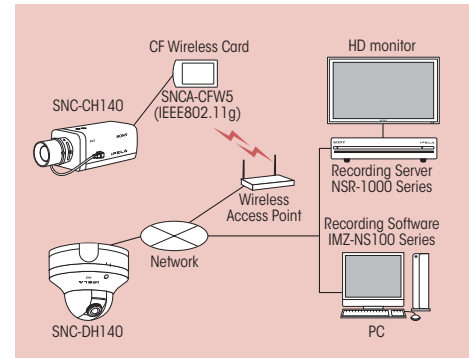
## SPECIFICATIONS

	SNC-CH140	SNC-DH140
<b>Camera</b>		
Image device	1/3 type progressive scan CMOS	
Day/Night*1	Yes	
View-DR*2	Yes	
Visibility Enhancer	Yes	
XDNR	Yes	
Number of effective pixels (H x V)	Approx. 1.3 Megapixel	
Electronic shutter speed	1s to 1/10000s	
Auto gain control	Max gain setting LOW, MID, HIGH	
Exposure control	Auto, EV Compensation*3, Auto Slow Shutter*4	
White balance mode	Auto(ATW, ATW-Pro), Preset, One-push WB, Manual	
Lens type	CS Mount lens	Vari-focal lens
Zoom ratio	Approx. 2.7X	Approx. 2.9X
Horizontal viewing angle	34 to 89 degrees	31 to 87 degrees
Focal length	f=3.0 to 8.0mm	f=3.1 to 8.9mm
F-number	F1.2 (wide), F1.9 (tele)	F1.2 (Wide), F2.1 (Tele)
Easy Focus	Yes	
Easy Zoom	No	Yes
<b>Image</b>		
Codec image size (H x V)	1280 x 1024, 1280 x 800, 1280 x 720, 1024 x 768, 1024 x 576, 800 x 480, 768 x 576, 640 x 480, 640x 368, 384 x 288, 320 x 240, 320 x 192	
Video compression format	H.264, MPEG-4, JPEG	
Maximum frame rate	H264/MPEG-4: 30 fps (1280 x 720) JPEG: TBD (1280 x 720)	
<b>Audio</b>		
Audio compression	G.711/G.726	
<b>Scene analytics</b>		
Intelligent motion detection	Yes (with built-in Post Filter)	
Intelligent object detection	No	
<b>Network</b>		
Protocols	IPv4, IPv6, TCP, UDP, ARP, ICMP, IGMP, HTTP, HTTPS, FTP (client/server), SMTP, DHCP, DNS, NTP, RTP/RTCP, RTSP, SNMP (MIB-2)	
Wireless network	Yes (with optional*5)	No
Number of clients	10	
Authentication	IEEE802.1X	
<b>Analog video output</b>		
Signal system	NTSC/PAL	
S/N ratio	more than 50 dB	
<b>Interface</b>		
Ethernet	10BASE-T / 100BASE-TX (RJ-45)	
Serial interface	No	
Card slots	CF card x1	No
Analog video output	Composite video (1Vp-p)	
Sensor input	x 1	
Alarm output	x 2	
External microphone input	Mini-jack (monaural), MIC IN/LINE IN: 2.47VDC plug-in power	
Audio line output	Mini-jack (monaural), Max output level: 1 Vrms	
<b>General</b>		
Weight	Approx. 1 lb 9 oz (700 g)	Approx. 1 lb 16 oz (900 g)
Dimensions (W x H x D) (ø x H)	2 7/8 x 2 1/2 x 5 3/4 inches (72 x 63 x 145 mm)	5 5/8 x 4 3/4 inches (140 x 118 mm)
Power requirements	PoE, AC24V, DC12V	
Power consumption	10 W max.	7.7 W max.
Operating temperature	14 to 122 °F *6 (-10 to +50 °C)*6	14 to 122 °F *6 (-10 to +50 °C)*6
Storage temperature	-4 to 140 °F (-20 to +60 °C)	
<b>System requirements</b>		
Operating system	Windows® XP, Windows Vista™	
Processor	Intel Core2 Duo 2GHz or higher	
Memory	1GB or more	
Web browser	Microsoft Internet Explorer® Ver6.0, Ver7.0	

\*1 Removable IR Cut Filter \*2 New Wide-D algorithm plus Visibility Enhancer with Exmor CMOS sensor \*3 Visibility Enhancer off mode only \*4 View-DR off mode only  
\*5 With optional SNCA-CFW5 \*6 Cold start temperature must be greater than 32°F (0°C)

This product includes software developed by the OpenSSL Project for use in the OpenSSL Toolkit. (<http://www.openssl.org/>)

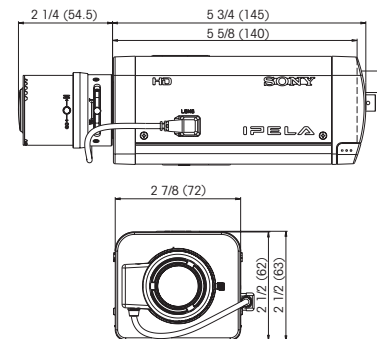
## SYSTEM CONFIGURATIONS



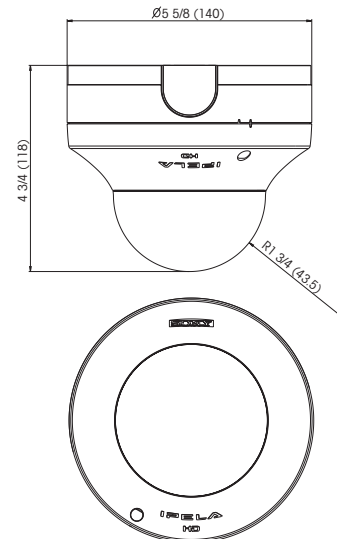
## DIMENSIONS

Unit: inches (mm)

### SNC-CH140



### SNC-DH140



# SONY

Sony Electronics Inc.  
1 Sony Drive  
Park Ridge, NJ 07656  
click: [sony.com/security](http://sony.com/security)

S-IP2048 (MK10609V1)

© 2009 Sony Electronics Inc. All rights reserved.  
Reproduction in whole or in part without written permissions is prohibited.  
Features and specifications are subject to change without notice.  
All non-metric weights and measurements are approximate.  
Sony, the Sony logo, IPELA, DEPA Advanced, and "Exmor" are trademarks of Sony.  
Windows XP, Internet Explorer and Windows Vista are trademarks of Microsoft Corporation.

Printed in USA (9/09)