

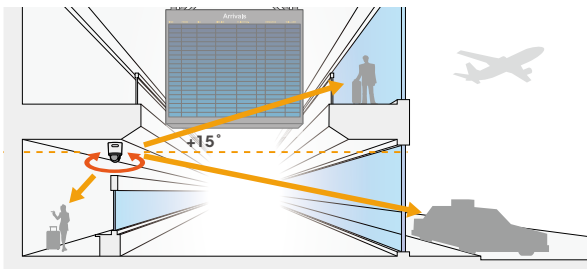
High-Quality Rapid Dome Cameras

- Three codecs (H.264, MPEG-4, JPEG) and dual-streaming capability
- High-speed 360 degrees endless rotation
- Powerful 36x optical zoom capability
- DynaView
- Slim and stylish



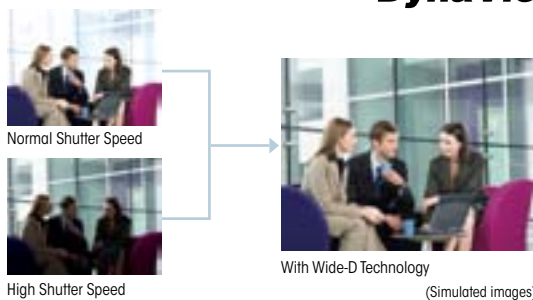
KEY FEATURES

- High-Speed 360 degrees endless rotation.
- Above-the-horizon tilt - 15° tilt-up, total tilt range of 210°.



- 36x optical and total zoom ratio of 432x with 12x digital zoom.
- Three codecs (H.264, MPEG-4, JPEG) and dual-streaming capability.
- DynaView— Wide-D technology to handle various lighting conditions in a scene.

DynaView



- Optical Day/Night function to switch to Day or Night mode depending on the light level.
- DEPA Intelligent Video Analytics system can be set up with a DEPA-enabled recorder.
- Powered by HPOE for simple installation.
- SD memory card slot for an on-board recording capability.*1*2
- Recording Software (RealShot Manager Lite) is bundled to start recording and monitoring instantly.
- Smartphone viewer for accessing the camera from a smartphone.*3
- ONVIF (Open Network Video Interface Forum) Version 1.02 conformance.



*1 The on-board recording function, the intelligent motion detection function, and the tamper alarm function cannot be used simultaneously.

*2 In rare cases, the recorded data might disappear or be damaged. No guarantee is given against damage (including passive damage) resulting from this.

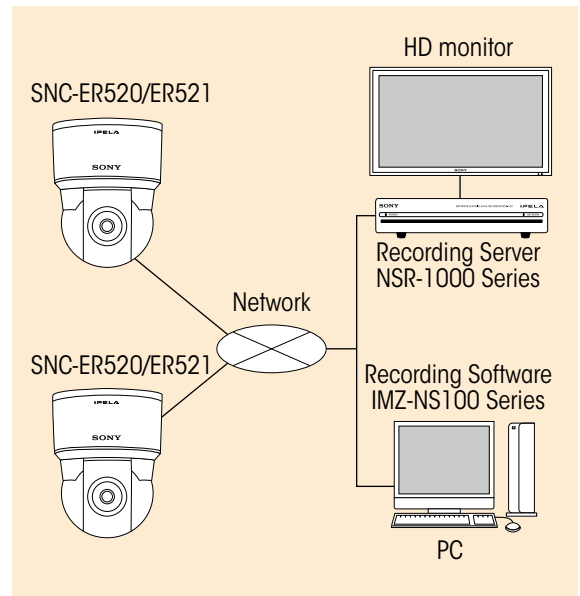
*3 For details, please contact your local Sony office.

SPECIFICATIONS

	SNC-ER520	SNC-ER521
Camera		
Image device	1/4-type EXview HAD CCD	
Number of effective pixels	Approx. 0.38 Megapixel	Approx. 0.44 Megapixel
Minimum Illumination	Color: 1.4lx (F1.6, shutter 1/60sec, AGC ON, 50IRE[IP]) B/W: 0.15lx (F1.6, shutter 1/60sec, AGC ON, Night Mode, 50IRE[IP]) Color: 0.9lx (F1.6, shutter 1/60sec, AGC ON, 30IRE[IP]) B/W: 0.11lx (F1.6, shutter 1/60sec, AGC ON, Night Mode, 30IRE[IP])	Color: 1.4lx (F1.6, shutter 1/50sec, AGC ON, 50IRE[IP]) B/W: 0.15lx (F1.6, shutter 1/50sec, AGC ON, Night Mode, 50IRE[IP]) Color: 0.9lx (F1.6, shutter 1/50sec, AGC ON, 30IRE[IP]) B/W: 0.11lx (F1.6, shutter 1/50sec, AGC ON, Night Mode, 30IRE[IP])
Signal system	NTSC standard	PAL standard
Electronic shutter speed	1/1 to 1/10,000 s	
Auto gain control	Auto/Manual (-3 to 28 dB)	
Exposure control	Full auto, Shutter priority, Iris priority, Manual	
White balance mode	Auto, ATW, Indoor, Outdoor, One-push, Manual, Sodium vapour lamp	
Lens type	Auto-focus Zoom Lens	
Zoom ratio	Optical zoom 36x, Digital zoom 12x, Total zoom 432x	
Horizontal viewing angle	57.8 to 1.7 degrees	
Focal length	f=3.4 to 122.4 mm	
F-number	F1.6 to F4.5	
Minimum object distance	10mm (wide) to 1500mm (tele)	
Pan angle	360 degrees endless rotation	
Pan Speed	300 degrees/s (max)	
Tilt angle	210 degrees(with e-flip)	
Tilt speed	300 degrees/s (max)	
Preset position	256 positions	
Tour	5	
Camera Features		
Day/Night	Yes	
Wide-D	Yes (92 dB)	
Noise Reduction	Yes	
Image		
Codec image size (H x V)	704x576, 720x480, 640x480, 384x288, 320x240	720x576, 704x576, 640x480, 384x288, 320x240
Video compression format	H.264, MPEG-4, JPEG	
Codec streaming capability	Dual streaming	
Maximum frame rate	30 fps (H.264/MPEG-4/JPEG)	25 fps (H.264/MPEG-4/JPEG)
Audio		
Audio compression	G.711/G.726	
Scene Analytics		
Intelligent motion detection	Yes	
Network		
Protocols	IPv4, IPv6, TCP, UDP, ARP, ICMP, IGMP, HTTP, HTTPS, FTP (client/server), SMTP, DHCP, DNS, NTP, RTP/RTCP, RTSP, SNMP(MIB-2)	
ONVIF conformance	Yes (Ver. 1.02)	
Number of clients	5	
Authentication	IEEE802.1X	
Interface		
Ethernet	10BASE-T / 100BASE-TX (RJ-45)	
Card slots	SD memory card x 1 (Compatible with the SD/SDHC standards)	
Sensor input	x2	
Alarm output	x1	
External microphone input	Mini-jack (monaural)	
Audio line output	Mini-jack (monaural), Max output level: 1 Vrms	
General		
Mass	1.7 kg (3 lb 12 oz) (including sealing bracket)	
Dimensions (ø x H mm)	ø147.4 x 190.9 mm (5 7/8 x 7 5/8 inches)	
Power requirements	HPoE (IEEE802.3at compliant), AC24V	
Power consumption	Approx. 25W	
Operating temperature	-5 to +50 °C (23 to 122°F)	
Starting temperature	0 to 50 °C (32 to 122°F)	
Storage temperature	-20 to +60 °C (-4 to +140°F)	
Safety regulation	UL2044, FCC 15B Class A, IC Class A, IEC60950-1, EN55022(A)+EN55024+EN50130-4, VCCI Class A, C-Tick Class A	
System Requirements		
Operating system	Microsoft Windows XP(32bit) - Professional Edition Microsoft Windows Vista(32bit) - Ultimate, Business Edition Microsoft Windows 7 (32/64bit) - Ultimate, Professional Edition	
Processor	Intel Core2 Duo 1.8 GHz or higher Intel Pentium4 2.4GHz or higher	
Memory	1 GB or more	
Web browser	Microsoft Internet Explorer Ver. 6.0, Ver. 7.0, Ver. 8.0 Firefox Ver.3.5 (Plug-in free viewer only) Safari Ver.4.0 (Plug-in free viewer only) Google Chrome Ver.4.0 (Plug-in free viewer only)	
Supplied Accessories		
CD-ROM (User's guide, supplied programs), Installation manual, Ceiling bracket, Screws(2), Template, 24V AC Connector, I/O Connector		

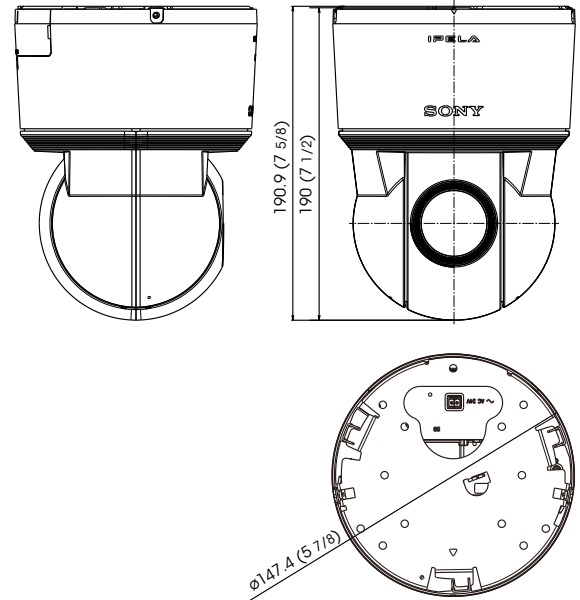
*The SNC-ER520 and SNC-ER521 include software developed by the OpenSSL Project for use in the OpenSSL Toolkit (<http://www.openssl.org/>).

SYSTEM CONFIGURATION



DIMENSIONS

Unit: mm (inches)



Distributed by



Network Webcams
IP VIDEO AND SECURITY

© 2011 Sony Corporation. All rights reserved.

Reproduction in whole or in part without written permission is prohibited. Features and specifications are subject to change without notice.

The values for weight and dimension are approximate. SONY, "make.believe", IPELA, and "EXview HAD" are trademarks of Sony Corporation.

Windows, XP, and Vista are trademarks of Microsoft Corporation. Core is a trademark of Intel Corporation.

All other trademarks are the property of their respective owners.