

PNM-9030V

15MP Multi-sensor Panoramic Camera

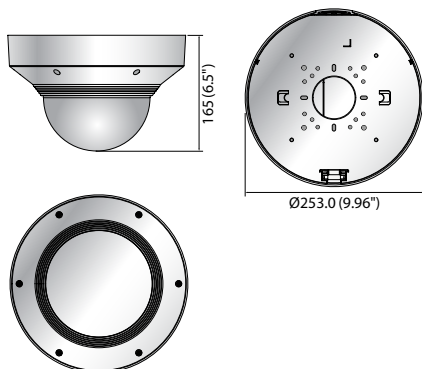


Key Features

- Max. 15M (6096x2540@180°, 7744x1936@220°) resolution
- 180°/220° panoramic stitching image
- Panoramic stitching, original, crop view channel support
- H.265 / H.264 : Max. 30fps at all resolutions
MJPEG : Max. 15fps at all resolutions
- H.265, H.264, MJPEG codec, WiseStream II supported
- Tampering, Loitering, Directional detection, Virtual line, Enter / Exit, (Dis)Appear, Audio detection, Motion detection, Handover, Sound classification, Heatmap
- Micro SD/SDHC/SDXC 2 slots, PoE+, IP66, IK10

Dimensions

Unit:mm(inch)



Accessories (Optional)



PNM-9030V		
VIDEO	Imaging Device	1/2.8" 5M CMOS x 4CH
	Total Pixels	2,704(H) x 2,104(V) 5.69M x 4CH
	Effective Pixels	2,616(H) x 1,964(V) 5M x 4CH
	Scanning System	Progressive scan
	Min. Illumination	Colour : 0.15lux (F2.0, 1/30sec, 30IRE) / B/W : 0.01lux (F2.0, 1/30sec, 30IRE)
	Video Out	Micro USB Type B
LENS	Focal Length (Zoom Ratio)	4mm
	Max. Aperture Ratio	F2.0
	Angular Field of View	[180° mode] H : 180°, V : 70° / [220° mode] H : 220°, V : 52°
	Min. Object Distance	3m (9.84ft)
	Focus Control	Fixed
	Mount Type	Board-in type (M12)
PAN / TILT / ROTATE	Pan / Tilt Range	355° / 60°
OPERATIONAL	Camera Title	Off / On (Displayed up to 75 characters) - W/W : English / Numeric / Special characters - China : English / Numeric / Special / Chinese characters - Common : Multi-line (Max. 5), Colour (Grey / Green / Red / Blue / Black / White), Transparency, Auto scale by resolution
	Day & Night	Auto (ICR) / Colour / B/W / Schedule
	Backlight Compensation	Off / BLC / WDR
	Wide Dynamic Range	120dB
	Contrast Enhancement	SSDR (Off / On)
	Digital Noise Reduction	SSNR III (2D+3D noise filter) (Off / On)
	LDC	Support
	Motion Detection	Off / On (8ea, 8 point polygonal zones), Handover
	Privacy Masking	Off / On (16ea, rectangle zones) - Colour : Grey / Green / Red / Blue / Black / White - Mosaic
	Gain Control	Off / Low / Middle / High
	White Balance	ATW / AWC / Manual / Indoor / Outdoor
	Contrast	Level adjustment
	Electronic Shutter Speed	Minimum / Maximum / Anti flicker (2 ~ 1 / 12,000sec)
	Defog	Off / Manual / Auto
	Digital Zoom	24x
	Digital PTZ	Support
	Flip / Mirror	Off / On
	Intelligent Video Analytics	Tampering, Loitering, Directional detection, Virtual line, Enter/Exit, (Dis)Appear, Audio detection, Motion detection, Sound classification, Heatmap
	Alarm I / O	Input 1ea / Output 1ea
	Audio In	Line in Supply voltage : 2.5VDC (4mA), Input impedance : approx. 2K Ohm
	Audio out	Line out (3.5mm stereo mini jack)
	Alarm Triggers	Alarm input, Motion detection, Video&Audio analytics, Network disconnect
Alarm Events	File upload via FTP, E-Mail / Notification via E-Mail Local storage (SD / SDHC / SDXC) or NAS recording at event triggers External output	
Pixel Counter	Support	

PNM-9030V		
NETWORK	Ethernet	RJ-45 (10/100/1000 BASE-T)
	Video Compression Format	H.265 : Main, H.264 : Main/Baseline/High, MJPEG
	Resolution	[180° mode] 6096x2540, 5760x2400, 5472x2280, 5184x2160, 4800x2000, 4560x1900, 4096x1704, 3840x1600, 2688x1120, 2560x1064, 2048x852, 1920x800, 1280x532, 640x264 [220° mode] 7744x1936, 6096x1524, 5760x1440, 5472x1368, 5184x1296, 4800x1200, 4560x1140, 4096x1024, 3840x960, 2688x672x 2560x640, 2048x512, 1920x480, 1280x320, 640x160
	Max. Framerate	H.265/H.264 : Max. 30fps at all resolutions MJPEG : Max. 15fps at under 2MP
	Smart Codec	Manual mode (Area-based : 5ea)
	WiseStream <input type="checkbox"/>	Support
	Video Quality Adjustment	H.264/H.265/MJPEG : Target Bitrate Level Control
	Bitrate Control Method	H.264/H.265 : CBR or VBR, Motion JPEG : VBR
	Streaming Capability	Multiple Streaming (Up to 5 profiles for panoramic and 3 profiles for original and crop CH)
	Audio Compression Format	G.711 u-law / G.726 Selectable, G.726 (ADPCM) 8KHz, G.711 8KHz, G.726 : 16Kbps, 24Kbps, 32Kbps, 40Kbps, AAC-LC : 48Kbps at 16KHz
	Audio Communication	Bi-directional (2-Way)
	IP	IPv4, IPv6
	Protocol	TCP/IP, UDP/IP, RTP(UDP), RTP(TCP), RTCP,RTSP, NTP, HTTP, HTTPS, SSL/TLS, DHCP, FTP, SMTP, ICMP, IGMP, SNMPv1/v2c/v3(MIB-2), ARP, DNS, DDNS, QoS, PIM-SM, UPnP, Bonjour, LLDP
	Security	HTTPS(SSL) login authentication, Digest login authentication, IP address filtering, User access log, 802.1X authentication (EAP-TLS, EAP-LEAP)
	Streaming Method	Unicast / Multicast
	Max. User Access	15 users at unicast mode
	Edge Storage	Micro SD/SDHC/SDXC 2slot (Up to 512GB) - Motion images recorded in the Micro SD/SDHC/SDXC memory card can be downloaded. NAS (Network Attached Storage) Local PC for instant recording
	Application Programming Interface	ONVIF Profile S/G SUNAPI(HTTP API)
	Webpage Language	English, Korean, Chinese, French, Italian, Spanish, German, Japanese, Russian, Swedish, Portuguese, Czech, Polish, Turkish, Dutch, Hungary, Greek
	Web Viewer	Supported OS : Windows 7, 8.1, 10, Mac OS X 10.10, 10.11, 10.12 Supported Browser : Google Chrome 63, MS Edge 41, Mozilla Firefox 57 (Windows 64bit only), Apple Safari 11 (Mac OS X only)
Central Management Software	SmartViewer, SSM, Wisenet WAVE	
ENVIRONMENTAL	Operating Temperature / Humidity	-40°C ~ +55°C(-40°F ~ +131°F) / Less than 90% RH *Start up should be one at above -30C°
	Storage Temperature / Humidity	-40°C ~ +60°C (-40°F ~ +140°F) / Less than 90% RH
	Ingress Protection	IP66
	Vandal Resistance	IK10
ELECTRICAL	Input Voltage / Current	PoE+(IEEE802.3at), DC12V
	Power Consumption	Max. 25.5W (PoE+), Max. 21.0W (DC12V)
MECHANICAL	Color / Material	Ivory / Aluminium
	Dimension (W x H x D)	Ø253 x H165mm (9.96" x 6.5")
	Weight	3.2Kg (7.1lb)

* The latest product information / specification can be found at hanwha-security.com

* Design and specifications are subject to change without notice.

* Wisenet is the proprietary brand of Hanwha Techwin.