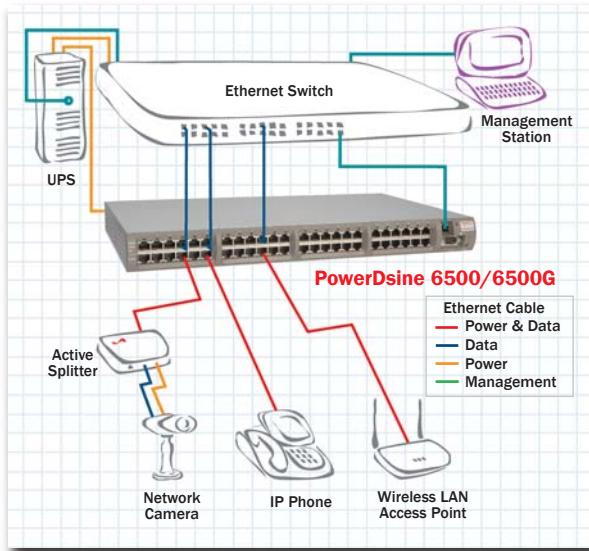


PowerDsine® 6500/6500G Family

Business-class Midspans with Network Management System and lifetime warranty



Overview

The PowerDsine 6500/6500G series sets a new standard for highly secure, remotely-managed and safe-to-use Power over Ethernet Midspans (PoE injectors).

PowerDsine 6500/6500G series comprises 6, 12 and 24-port models, making an even wider range of flexible Power over Ethernet installations possible.

PowerDsine 6500/6500G family allows IP telephones, wireless LAN access points, security network cameras and many other types of data terminals to receive power, along with data, over standard Ethernet cables, leaving network infrastructure completely unaltered. With PoE, data and power flow smoothly and safely over a single LAN cable with no interference.

PD-6500/6500G Features

- Safe & reliable power over existing Ethernet infrastructure
- 10/100 Mbps and Gigabit models
- The most cost-effective solution for existing installations
- Remote SNMPv3 or Web-based management
- The highest level of network security
- A safe solution that protects network infrastructure
- Scalable 6, 12 & 24-port models
- Fully standards-compliant



PD-6500/6500G Specifications

No. of Ports	6/12/24
Pass Through Data Rates	6500: 10/100 Mbps 6500G: 10/100/1000 Mbps
Power over Ethernet Output	Pin Assignment and Polarity: 4/5 (+), 7/8 (-) Output Power Voltage: 52Vdc User Port Power: 15.4Watts Aggregate Power: up to 400Watts
Input Power Requirements	AC Input Voltage: 90 to 264 Vac AC Input Current: 100W 2A @ 110 Vac, 1A @ 220 Vac 200W 4A @ 110 Vac, 2A @ 220 Vac 400W 5.5A @ 110 Vac, 2.75A @ 220 Vac AC Frequency: 47 to 63 Hz
Dimensions	438 mm x 272 mm x 44 mm 17.3 in. x 10.8 in. x 1.75 in or 1U
Weight	8.8 lbs (4 kg)
Management	PowerView Pro included
Indicators	System Indicator: AC Power (Green) User Indicator: Channel Power (Green)
Connectors	Shielded RJ-45, EIA 568A and 568B
Environmental Conditions	Operating Ambient Temperature: 32° to 104°F (0 to 40°C) Operating Humidity: Maximum 90%, Non-condensing Storage Temperature: -4° to 158°F (-20° to 70°C) Storage Humidity: Maximum 95%, Non-condensing Operating Altitude: -1000 to 10,000 ft. (-304.8 to 3048 m)
Reliability	MTBF: 100,000 hrs. @25°C
Thermal Rating	170/320 BTU/Hr (@240VAC)
Warranty	Limited lifetime
Regulatory Compliance	IEEE 802.3af (PoE), RoHS Compliant WEEE Compliant, CE
Electromagnetic Emission & Immunity	FCC Part 15, Class B with FTP cabling EN 55022 Class B (Emissions) EN 55024 (Immunity), VCCI
Safety Approvals	UL/cUL Per EN 60950 GS Mark Per EN 60950

Ordering Information

Part Number	Name	Description
PD-6506/AC/M	PowerDsine 6506	6-port, 100W total power
PD-6512/AC/M	PowerDsine 6512	12-port, 200W total power
PD-6524/AC/M	PowerDsine 6524	24-port, 200W total power
PD-6524/AC/M/F	PowerDsine 6524	24-port, 400W total power

Gigabit Models

Part Number	Name	Description
PD-6506G/AC/M	PowerDsine 6506G	6-port, 100W total power
PD-6512G/AC/M	PowerDsine 6512G	12-port, 200W total power
PD-6524G/AC/M	PowerDsine 6524G	24-port, 200W total power
PD-6524G/AC/M/F	PowerDsine 6524G	24-port, 400W total power