

# ID30 Series Sarix™ Network Indoor Fixed Dome

## 3.1 MEGAPIXEL HIGH DEFINITION INTEGRATED CAMERA

### Product Features

- Up to 3.1 Megapixel Resolution (2048 x 1536)
- Up to 30 Images per Second (ips) at 1280 x 720
- Optional CS-Mount Lenses
- Auto Back Focus for High Precision Focusing
- Easy, Quick, One-Handed Installation
- H.264 and MJPEG Compression
- Day/Night Capability
- Sensitivity Down to 0.03 lux
- Power over Ethernet (IEEE 802.3af) or 24 VAC
- Video Setup Jack and Focus Button Accessible with Dome Closed
- Up to 2 Simultaneous Video Streams
- Web Viewing, up to 16 Cameras Simultaneously
- Local Storage (Micro SD) for Alarm Capture



- Open IP Standards
- Motion Detection
- Audio Accessory Available

The **ID30 Series with Sarix™ technology** is a 3.1 megapixel (MPx) network indoor fixed dome camera designed with industry-leading image quality and high performance processing power. Designed to install quickly and easily, all of the post back-box installation and setup can be done with one hand.

**Sarix** technology defines the next generation of video security imaging performance, delivering high definition (HD) resolution, advanced low-light capabilities, consistent color science, and fast processing power. The H.264 compression video files are up to 20 times smaller making high definition video more affordable.

### Fixed Dome Camera

The **ID30 Series** can be ordered with or without lenses. All models include advance low-light technology and a camera in an indoor enclosure that is ready to install. The day/night model has a mechanical IR cut filter for increased sensitivity in low-light installations. These cameras accept a wide range of megapixel varifocal CS-mount lenses.

The **ID30 Series** supports two simultaneous video streams. The two streams can be compressed in MJPEG and H.264 formats across several resolution configurations. The streams can be configured in a variety of frame rates, bit rates, and group of pictures (GOP) structures for additional bandwidth administration.

The **ID30 Series** is simple to install, and the automatic back focus control feature makes sharp scene focus setup easy. A convenient video setup jack eliminates the need to use a laptop for viewing video when installing the camera.

### Web Interface

The uses a standard Web browser for powerful remote setup and administration. Up to 16 cameras can be viewed on the same network.

### Window Blanking

Window blanking is used to conceal user-defined privacy areas that cannot be viewed by an operator. The **ID30 Series** supports up to four blanked windows. A blanked area will appear on the screen as a solid gray window.

### Video Systemization

The **ID30 Series** easily connects to Pelco IP and hybrid systems such as Endura® version 2.0 (or later) and Digital Sentry® version 4.3 (or later). The camera also features open architecture connectivity to third-party software. Pelco offers an application programming interface (API) that enables third-party systems to interface with Pelco's network cameras.



# TECHNICAL SPECIFICATIONS

## GENERAL

Imaging Device	1/3-inch (effective)
Imager Type	CMOS
Imager Readout	Progressive scan
Maximum Resolution	2048 x 1536
Signal-to-Noise Ratio	50 dB
Auto Iris Lens Type	DC drive
Electronic Shutter Range	1~1/100,000 sec
Wide Dynamic Range	60 dB
White Balance Range	2,000° to 10,000°K
Sensitivity	f/1.2; 2,850K; SNR >24 dB
Color (1x/33 ms)	0.5 lux
Color SENS (15x/500 ms)	0.12 lux
Mono (1x/33 ms)	0.25 lux
Mono SENS (15x/500 ms)	0.03 lux
Dome Attenuation	
Clear	Zero light loss
Smoked	f/1.0 light loss
Construction	
Back Box	Cast aluminum
Trim Ring	Polycarbonate plastic
Bubble	Acrylic plastic
Finish	White
Weight (without lens)	
Unit	2.0 lb (0.9 kg)
Shipping	6.0 lb (2.7 kg)
Available Languages	Chinese, English, French, German, Italian, Portuguese, Russian, Spanish, and Turkish

## ELECTRICAL

Port	RJ-45 connector for 100Base-TX Auto MDI/MDI-X
Cable Type	Cat5 or better for 100Base-TX
Power Input	24 VAC or PoE (IEEE 802.3af class 3)
Power Consumption	<6 W
Current Consumption	
PoE	<200 mA maximum
24 VAC	<295 mA nominal; <390 mA maximum
Local Storage	Micro SD
Alarm Input	10 VDC maximum, 5 mA maximum
Alarm Output	0 to 15 VDC maximum, 75 mA maximum
Service Port	External 3-connector, 2.5 mm provides NTSC/PAL video output
Accessory Port	Connects Pelco accessories

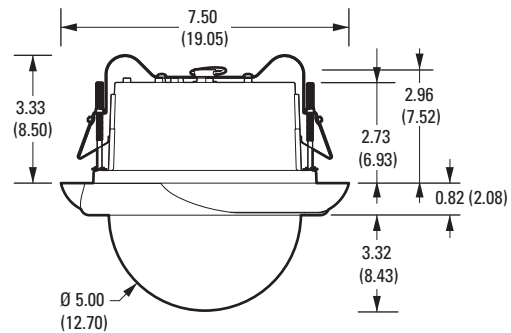
## MECHANICAL

Lens Mount	CS mount, adjustable
Pan/Tilt Adjustment	
Pan	368°
Tilt	160° (10° to 170°)
Rotate	355°

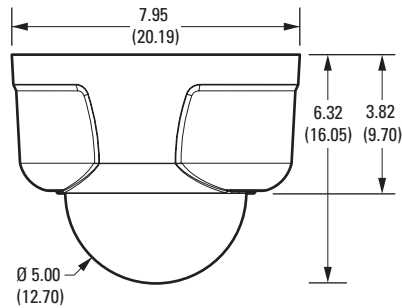
## ENVIRONMENTAL

Operational Temperature	32° to 122°F (0° to 50°C)
Operational Humidity	20% to 80%, noncondensing

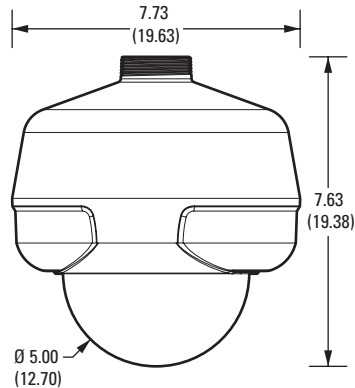
### IN-CEILING



### SURFACE MOUNT (Mounting Ring Included)



### PENDANT (Mount Available as Accessory)



NOTE: VALUES IN PARENTHESES ARE CENTIMETERS;  
ALL OTHERS ARE INCHES.

# TECHNICAL SPECIFICATIONS

## VIDEO

Video Encoding	H.264 base profile and MJPEG
Video Streams	Up to 2 simultaneous streams; the second stream is variable based on the setup of the primary stream
Frame Rate	Up to 30, 25, 24, 15, 12.5, 12, 10, 8, 7, 5, 6, 5, 4, 3, 2, 1 (dependent upon coding, resolution, and stream configuration)

Available Resolutions	Resolution				MJPEG		H.264 Base Profile	
	MPx	Width	Height	Aspect Ratio	Maximum IPS	Recommended Bit Rate	Maximum IPS	Recommended Bit Rate
	3.1	2048	1536	4:3	12.0 ips	10.0 Mbps	3.0 ips	2.6 Mbps
	2.1	1920	1080	16:9	15.0 ips	10.0 Mbps	5.0 ips	2.7 Mbps
	1.9	1600	1200	4:3	15.0 ips	10.0 Mbps	6.0 ips	2.6 Mbps
	1.3	1280	1024	5:4	20.0 ips	10.0 Mbps	8.0 ips	2.5 Mbps
	1.2	1280	960	4:3	20.0 ips	9.8 Mbps	8.0 ips	2.4 Mbps
	0.9	1280	720	16:9	30.0 ips	10.0 Mbps	12.5 ips	2.5 Mbps
	0.5	800	600	4:3	30.0 ips	5.8 Mbps	25.0 ips	2.0 Mbps
	0.3	640	480	4:3	30.0 ips	3.7 Mbps	30.0 ips	1.6 Mbps
	0.1	320	240	4:3	30.0 ips	0.9 Mbps	30.0 ips	0.4 Mbps

Additional Resolutions 640 x 512, 640 x 352, 480 x 368, 480 x 272, 320 x 256, and 320 x 176

Supported Protocols TCP/IP, UDP/IP (Unicast, Multicast IGMP), UPnP, DNS, DHCP, RTP, RTSP, NTP, IPv4, SNMP, QoS, HTTP, HTTPS, LDAP (client), SSH, SSL, SMTP, FTP, mDNS (Bonjour), and 802.1x (EAP)

Users  
Unicast Up to 20 simultaneous users depending on resolution settings (2 guaranteed streams)

Multicast Unlimited users H.264

Security Access Password protected

Software Interface Web browser view and setup, up to 16 cameras

Pelco System Integration Endura 2.0 (or later) or Digital Sentry 4.3 (or later)

Open IP Integration Pelco IP camera API

### Minimum System Requirements

Processor	Intel® Pentium® 4 microprocessor, 1.6 GHz
Operating System	Microsoft® Windows® XP, Windows Vista®, or Mac® OS X 10.4 (or later)
Memory	512 MB RAM
Network Interface Card	100 megabits (or greater)
Monitor	Minimum of 1024 x 768 resolution, 16- or 32-bit pixel color resolution
Web Browser*	Internet Explorer® 7.0 (or later) or Mozilla® Firefox® 3.0 (or later)
Media Player†	QuickTime® 7.6.5 for Windows XP, Windows Vista, or QuickTime 7.6.4 for Mac OS X 10.4

\*Internet Explorer is not supported by Mac OS X 10.4.

†This product is not compatible with QuickTime version 7.6.4 for Windows XP or Windows Vista. If you have this version installed on your PC, you will need to upgrade to QuickTime version 7.6.5.

# MODELS

## MODELS

ID30DN-1	Sarix indoor fixed dome network camera, 3.1 megapixel, day/night, no lens, clear dome
ID30DN8-1	Sarix indoor fixed dome network camera, 3.1 megapixel, day/night, 2.8-8 mm varifocal megapixel lens, clear dome
ID30DN-0	Sarix indoor fixed dome network camera, 3.1 megapixel, day/night, no lens, smoked dome

## CERTIFICATIONS/RATINGS/PATENTS

- CE, Class B
- FCC, Class B
- UL/cUL Listed
- C-Tick
- Patents Pending

## ACCESSORIES

IX-SC	4-foot Sarix service cable; compatible with standard BNC connectors
IA-A	Audio adapter compatible with a USB 2.0 A to 5-pin mini-B cable; supplied with two USB extension cables: 1 ft (0.3 m) and 3 ft (0.9 m)
ID-CB	Plenum-rated conduit box
POE20U560G	Single port PoE injector

## RECOMMENDED MOUNTS

ID-P	Pendant mount
SWM-WT	Wall mount for pendant
SWM-CAWT	Corner adapter for wall mount
SWM-PAWT	Pole adapter for wall mount

## RECOMMENDED LENSES

13M2.2-6	Megapixel lens, varifocal, 2.2-6.0 mm, f/1.3-2.0
13M2.8-8	Megapixel lens, varifocal, 2.8-8.0 mm, f/1.2-1.9
13M2.8-12	Megapixel lens, varifocal, 2.8-12.0 mm, f/1.4-2.7
13M15-50	Megapixel lens, varifocal, 15.0-50.0 mm, f/1.5-2.1

Pelco lenses have been designed and tested to deliver optimal image quality for the ID30 Series megapixel camera. The use of standard definition lenses on the ID30 Series will limit the resolution of the camera, creating poor image quality.

Field of View in Degrees		Aspect Ratio		
		16:9	4:3	5:4
2.2 mm	Horizontal	109	109	109
	Vertical	63	83	89
2.8 mm	Horizontal	89	89	89
	Vertical	48	66	70
6.0 mm	Horizontal	42	42	42
	Vertical	24	32	34
8.0 mm	Horizontal	32	32	32
	Vertical	18	24	25
12.0 mm	Horizontal	21	21	21
	Vertical	12	16	17
15.0 mm	Horizontal	16	16	16
	Vertical	9	12	13
50.0 mm	Horizontal	5	5	5
	Vertical	3	4	4

**Note:** For 800 x 600 (or lower) resolutions in 4:3 or 5:4 aspect ratios, the field of view is smaller than listed above. Refer to the Installation/Operation manual for details.

### Pelco, Inc. Worldwide Headquarters:

3500 Pelco Way, Clovis, California 93612-5699 USA

**USA & Canada** Tel: (800) 289-9100 • FAX: (800) 289-9150

**International** Tel: +1 (559) 292-1981 • FAX: +1 (559) 348-1120

[www.pelco.com](http://www.pelco.com)

Pelco, the Pelco logo, Digital Sentry, and Endura are registered trademarks of Pelco, Inc.

Sarix is a trademark of Pelco, Inc.

All product names and services identified throughout this document are trademarks or registered trademarks of their respective companies. The absence of a trademark or registered trademark from this document does not constitute a waiver of intellectual property rights.

Product specifications and availability subject to change without notice.

©Copyright 2010, Pelco, Inc. All rights reserved.