



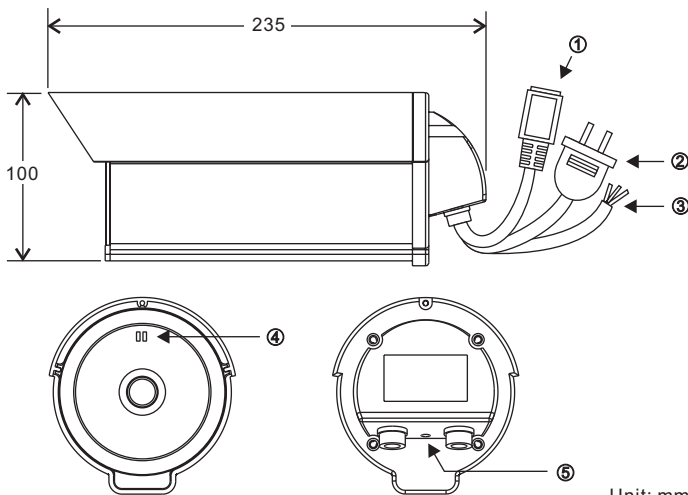
OUTDOOR D/N CMOS HD IR IP CAMERA

Instruction

Executive Summary

IPR614/618ES is an outdoor D/N CMOS HD IR IP camera built-in H.264 AVC (Advanced Video Coding) video compression. H.264 AVC video compression engine supports high definition video quality, 720P resolution, bandwidth efficiency with PPPoE and DDNS. Also it provides higher bit rate of internet and diverse alarm functions such as movement video detection e-mail or FTP. Moreover, IPR614/618ES can do remote surveillance with Java or iPhone cell phone. The software R&D engineer can use HTTP protocol(HTTPAPI) to develop related software, and integrate them with existing application software system.

Part Description & Dimension



Unit: mm

- ① RJ-45 NETWORK CONNECTOR
This network camera support PoE+(25W)
- ② AC100~240V POWER CABLE
- ③ AC24V POWER CABLE
- ④ NETWORK INDICATOR LEDS
Green (LINK): While cable of network is connecting the LED is light.
Orange (ACT): When data is communicating, the LED is flashed.
- ⑤ RESET KEY
To restore the server to factory default setting.

Product Components

1. OUTDOOR D/N CMOS HD IR IP Camera



2. Instruction Manual



3. Bracket



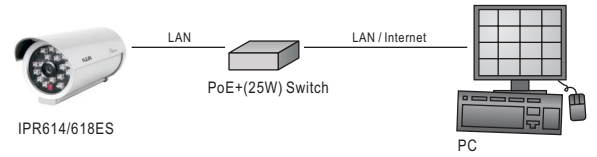
4. CD Software Pack



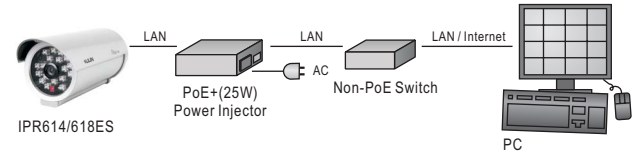
System Architectures

For connecting IPR614/618ES to the network, please follow one of the system architectures:

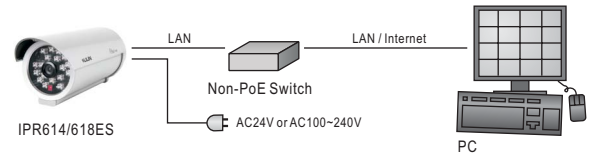
(1). Hardware Installation using a PoE+(25W) Switch.



(2). Hardware Installation using a PoE+(25W) Power Injector and non-PoE Switch.



(2). Hardware Installation using a PoE+(25W) Power Injector and non-PoE Switch.



Emergency Factory Default

To restore the server to factory default settings, please:

1. Hold Reset Key for 10 seconds.
2. The network LED lights turn off after about 20 seconds, then lit.
3. The server board reboots itself.
4. Using IPScan scanning for the IP address of the IP device.
5. Launch Internet browser for the IP address of the IP device.
6. Type default username "admin" and password "pass" for enter web interface of the IP device.

NOTE

For convenient purpose, IP address resets to default IP address, 192.168.0.200, after performing Load Default operation.

Specifications

OUTDOOR D/N CMOS HD IR IP CAMERA				
Model No.	IPR614ES4.3	IPR618ES4.3	IPR614ES6	IPR618ES6
Lens	Focal Length	4.3mm	6mm	
	Iris	F1.8	F1.8	
	Angle of View	49.8°(H), 36.8°(V), 63.6°(D)	35.8°(H), 26.5°(V), 45.7°(D)	
Pick Up Element	1/4" Progressive scan CMOS sensor			
Effective Pixels	1280(H) x 800(V) = 1,024,000(pixel)			
Chip Size	3.88mm(H) x 2.43mm(V)			
Scanning System	Progressive Scan			
Infrared Cut Filter	Auto / Schedule / Day(Color) / Night(Mono)			
Min. Illumination	Color: 3Lux at F1.8 / Mono: 0.6Lux at F1.8 / 0 Lux with IR			
White Balance	Auto / Tungsten / Indoor / Fluorescents1 / Fluorescents2 / Outdoor1 / Outdoor2			
Back Light Compensation	Auto			
Electrical Shutter	1/30(25)s ~ 1/20,000s			
IP Rating	IP66			
Infrared LED	Peak Wavelength	850nm		
	Beam Spread	20°		
	Radiant Distance	25M		
Operating Temperature	-10°C ~ +50°C (14°F ~ 122°F)			
Dimension	φ100 x 235mm			
Weight	1600g			
Power Input Voltage	AC24V ±10%	AC100-240V ±10%	AC24V ±10%	AC100-240V ±10%
	PoE+ (IEEE 802.3at compliant)			
Power Consumption	12W (PoE+, 13.5W)			

Design and specification are subject to change without notice.

NETWORK	
Video Compression	H.264/AVC, Motion JPEG
Resolution	720P (1280x768) / VGA (640x384) / CIF (320x192)
Multiple profile	Stream 4 profiles: H.264 at 720P, JPEG at 720P, H.264 at VGA, JPEG at CIF
Frame Rate	H.264: Up to 20fps at 720P, MJPEG: Up to 10fps at 720P
Video Streaming	RTSP: RTP/HTTP, RTP/TCP, RTP/UDP
Video Bitrate	128Kbps ~ 5Mbps
Security	Base64 HTTP encryption Multiple user access levels with password protection 10 user accounts available
Users	8 simultaneous users
Digital Zoom	Yes
Motion Detection	Events triggered by built-in motion detection Image upload over FTP, e-mail by motion detection
CPU, Memory	Embedded SoC ARM9, 500MHz 64MB DDR, 8MB flash memory
Maintenance	Firmware update via HTTP, Firmware available at web site
Network Interface	10Mbps / 100Mbps Base-T, RJ-45
PC Requirement	OS : Windows 2000, Windows XP, Windows Vista, Windows 7 Browser : Windows Internet Explore 5.0 or above CPU : Intel Pentium 4 1.8GHz or above RAM : 1GB or above, Independent Display Card
Network Protocols	IP, TCP, UDP, HTTP, SMTP, ESMT, NTP, DDNS, FTP, ARP, DHCP, PPPoE, DNS, RTSP, RTCP, Telnet
Mobile Phone and PDA Support	iPhone and Android support
System Integration	ONVIF
CMX	Free CMX support
Video Display	LILIN Universal ActiveX / Quick Time
OS	Embedded Linux 2.4.19

Design and specification are subject to change without notice.