

ZSR8122LPR

2MP 60fps LPR Auto Focus IR IP Bullet Camera

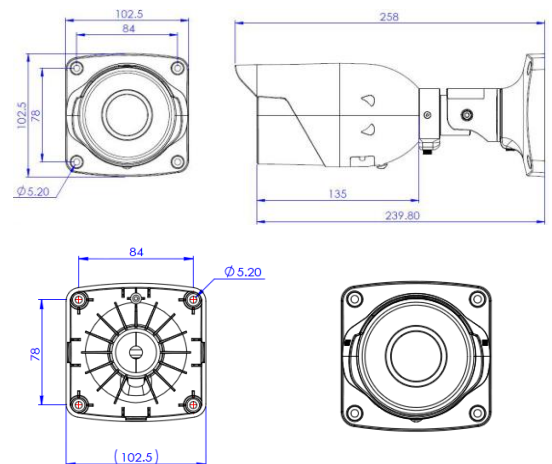


- ▶ Outdoor Bullet Camera
- ▶ IR cut filter for day/night operations
- ▶ IP66 rain and dust resistant
- ▶ 35-meter infrared night vision
- ▶ 1080p resolution @ 60 FPS
- ▶ LPR – License Plate Recognition
- ▶ Digital I/O : 1 in, 1 out



Dimensions (unit in mm):

102.5(W) x 102.5(H) x 258 (D) approx.
(without bracket)



An Ideal camera for low-light conditions

ZSR8122LPR is an outdoor varifocal IP camera that provides Full HD resolution at 60fps. It is an ideal camera for difficult lighting conditions. In the combination of WDR, 3D noise reduction, intelligent image signal processing, and the built-in Sense-up+ technology, the camera delivers outstanding image under extreme low-light conditions without any motion blur. This camera is also designed to prevent from rain and dust with its IP66-rated housing, ensuring operation under various demanding weather conditions. ZSR8122LPR is an excellent choice that feeds your demand in multiple applications.

Product Features

Wide Dynamic Range

A Wide Dynamic Range image is produced by interleaving two shutter line to accommodate details of both the darkest and brightest areas. WDR can extend image visibility under high contrast lighting scenes and improve image quality.



Back Light Compensation

Back Light Compensation (BLC) adjusts the exposure of the entire image to properly expose the subject of interest. Whether if the subject is moving toward left, right, up, down, or any direction in the screen, BLC will provide the perfect exposure for the subject in front of a strong back light.



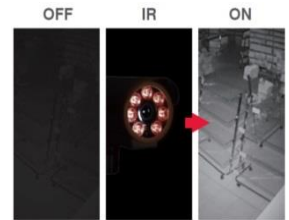
Sense Up+

Sense up+ is able to deliver outstanding video outputs in poor light conditions without experiencing motion blur. With this technology, you can see video more clearly during nighttime when sufficient lighting is lacking.



Built-in IR Illumination

The camera includes infrared (IR) LEDs for IR illumination to provide night vision up to 35 meters.



Video Security App

LILINViewer is available for both Android and iOS devices. This application provides security alarm push notification, real-time live viewing, and remote video playback.



LPR – license Plate Recognition

Automatic Number Plate Recognition (LPR) enables you to make positive identifications and view license plate number of a vehicle. LPR technology is available in Australia, Canada, China, Saudi Arabia, United States, and most European countries.



ONVIF-compliant

Open Network Video Interface Forum (ONVIF) is a standard for physical IP based security products. ZSR8122LPR complies with ONVIF Profile S.



Motion Detection

If properly set up, any motion in front of the camera will be detected and saved as an event. Motion in the selected area will provoke an alert



Tamper Detection

This camera automatically detects tampering or failure. Also, an action can be taken when the lens or field of view is partially or completely blocked.



Alarm Detection

Alarm Detection is designed to provide the electronic detection of intruders



SD Cards in Sync with NAV Software

The camera is designed with Micro SD/SDHC/SDXC card slots to provide video playback and recording. You can even synchronize an SD card with LILIN VMS (Video Management Software) – Navigator (NAV).



3D Noise Reduction

This function removes noise occurred in a video. Suppressing noise in low light conditions will retain details in a video and optimize the quality.



2MP 60fps LPR Auto Focus IR IP Bullet Camera

Video performance

Min. Illumination	0.06 Lux at F1.8 (Color), 0.005 Lux at F1.8 (B/W)
With Infrared LED	0 Lux

Power

Power consumption	DC12V, 15.2W / PoE+, 16.6W
PoE	IEEE 802.3at
Power supply	DC12V ±10%, Power over Ethernet (IEEE 802.3at compliant)

Sensor

Sensor type	1/2.8" CMOS image sensor
Total sensor pixels	1945 (H) x 1097 (V) = 2,133,665 pixels

Certifications

CE	Yes
FCC	Yes
IP Rating	IP66 waterproof

PC requirements

CPU	Intel Core i5 or higher grade
OS	Windows 7, Windows 8, Windows 10
RAM	4GB or above, Independent Display Card

Mechanical

Dimensions	102.5(W)x102.5(H)x258(D) mm approx.
Weight	1050g approx.
Window	Ø75mm Heat Resistant Glass

Input / output

Live video output	CVBS 1.0Vp-p, 75 ohm, connector
Audio input / output	Mono, 1.98 Vp-p, 2.2KΩ, Terminal Block
Alarm input / output	Digital 1 input (TTL, +3 – 5VDC) / 1 Output (MOS Relay contact N.O., Load max. 40VDC/300mA), Terminal block

Video streaming

Video compression	H.264 Main and High Profile, Motion JPEG
Streaming	RTP/HTTP, RTP/TCP, RTP/UDP, Multicast
Bitrate	128Kbps – 12Mbps Frame rate and bit rate controllable on-the-fly VBR / CBR / GOP supported Fixed bitrate mode

Network security

User accounts	10 user accounts available
Access	Multiple user access levels with password protection
Encryption	Base64 HTTP encryption, HTTPS encryption, Digest HTTP authentication, RTSP Authentication
IP address filtering	IP address filter, MAC address filter
RTSP Authentication	On / Off

Integration

Mobile application	Supports LILIN mobile app (LILIN Viewer) in both iOS and Android versions
Video management	ONVIF Profile S LILIN Navigator Enterprise 1.0 and 2.0 Third party VMS through LILIN HTTP API
SD card recording	Support Micro SD/SDHC/SDXC card for circular recording (card is not included)
Web browser	Microsoft® Internet Explorer® 9.0 and later
Firmware	Firmware upgrade via HTTP and IP Scan Firmware available at web site
Alarm event triggers	Smart Event, IVS, LPR, Motion, Tampering, Audio, Alarm, Network

Alarm event actions	FTP, SMTP, SD card, SAMBA, Alarm output, HTTP POST, SNMP Trap
Intelligent Video Surveillance	Motion detection, Tampering detection, audio detection, tripwire, object counting, traffic light detection

Environmental

Operating temperature	-40°C – +50°C (-40°F – 122°F)
-----------------------	-------------------------------

Lens / Night vision (infrared LED)

Focal length	7 – 22mm
Distance	35m
Peak wavelength	850nm
Beam spread	60°, 90°

Video resolution (H x V)

1080p	1920 x 1080
1280x960	1280 x 960
720p	1280 x 720
D1	720 x 480, 720 x 576
VGA	640 x 480
CIF	352 X 240
Maximum frame rate	Multi-stream mode, H.264 : up to 60 FPS @ 1920 x 1080, Motion JPEG : up to 30 FPS @ 720 x 480 HDR mode, H.264 : up to 30 FPS @ 1920 x 1080 , Motion JPEG : up to 30 FPS @ 720 x 480
Alarm weighted mode	Yes

Video functions

Day/Night (IR-cut filter)	Color (Day), Monochrome (Night), Auto, Schedule
Scanning system	Progressive scan
Adjustable picture setting	Contrast, Brightness, Saturation
White balance	Auto / Tungsten / Indoor / Fluorescents1 / Fluorescents2 / Outdoor1 / Custom
Shutter	1/30(1/25)s to 1/30000s
Back light compensation	On / Off
2D WDR	Off / Auto / x2 / x3 / x4 (by normal mode)
High dynamic range	Up to 100dB (by HDR mode, 2 shutter line interleave)
3D noise reduction	Off / 1 - 32 Selectable
Privacy masking	Off / On (4 zones)
Sense Up	Off / 1 Frame / 2 Frames
Sense Up+	Yes
Auto gain control	60 dB variable gain
D/N quality setting	Yes
Other functions	Brightness, Contrast, Hue, Saturation, Sharpness, Mirror, Flip, Lens Distortion Correction, Defog
Auto Focus	One Push

Network

Ethernet	10/100/1000 Mbps Base-T, RJ-45
Connectivity	ONVIF Profile S / LILIN API (CGI)
Users	10 simultaneous users
ePTZ & digital zoom	Yes, ROI is supported
OSD	Displays date, time, and camera name
CPU, Memory	Embedded SoC, 1.2GHz Dual ARM Cortex-A9 & 600MHz ARM11, 1GB DDR3, 256MB flash memory
Video display	LILIN Universal ActiveX & HTML5
OS	Embedded Linux 3.8.8
2-way audio supported	G.711 / PCM / AAC
Protocols	IPv4, IPv6, TCP, UDP, HTTP, HTTPS, SMTP, SIP, MQTT, QoS, SNMP, SNMP Trap, NTP, DDNS, UPnP, FTP, ARP, DHCP, PPPoE, DNS, RTSP, RTCP, Telnet, IGMP, ONVIF Profile S, SDDP, Bonjour
Languages	English, Traditional Chinese, Simplified Chinese, Spanish, Italian, Turkish, Russian, Korean, French, Arabic, Hungarian, Japanese
Multi IP address	Yes

Copyright © Merit LILIN 2018 | All rights reserved | Product specifications and availability are subject to change without notice

Car Speed Limit	
Car Speed Limit	Under 20KM/h, for parking lot use.

Numeric Plate	
Countries	EU, UK, Russia ,Taiwan (dark background plate, green plate, red plate, and black plate with white text are not supported), Belgium, Bosnia, Bulgaria, Croatia, Cyprus, Czech Republic, Denmark, Finland, France, Germany, Greece, Hungary, Iceland, Ireland, Israel, Italy, Luxembourg, Macedonia, Malta, Netherlands, Norway, Poland, Portugal, Romania, Serbia, Spain, Slovakia, United Kingdom, Vatican City, Slovenia, Sweden, Switzerland, Turkey, Armenia, Azerbaijan, Belarus, Estonia, Georgia, Kazakhstan, Latvia, Lithuania, Moldova, Turkmenistan, Ukraine, Uzbekistan
	The number of characters on a plate must be at least three to be supported, characters must be A~Z and 0~9.

Numeric Plate Group	
Numeric Plate Group	Log List: 1000, Denial List: 100, Allowed List: 1000 , Visitor List: 1000, LPR Snapshot: 100
	Each license can have individual schedule and trigger specific events.
	Holiday list is supported in schedule.
	Effective-hours(start time and end time) are adjustable.
	Detect level is adjustable (Very weak to strong)

Events	
Type	Programmable SmartEvent
	Trigger by each license, DO, HTTP Push, App Push, FTP, email

SDK	
SDK	ANPR SDK to download the database, delete lists, and to extract snapshots

Database	
Database	Denial and allowed lists can be imported and exported in CSV format.
	Built-in storage as a standalone device, operates without a computer.

FPS	
Frame Per Second	1080P 60fps

Resolution	
Resolution	1920 * 1080

Web Language	
Web Language	English, Traditional Chinese, Simplified Chinese, Spanish, Italian, Turkish, Russian, Korean, French, Arabic, Hungarian, Japanese