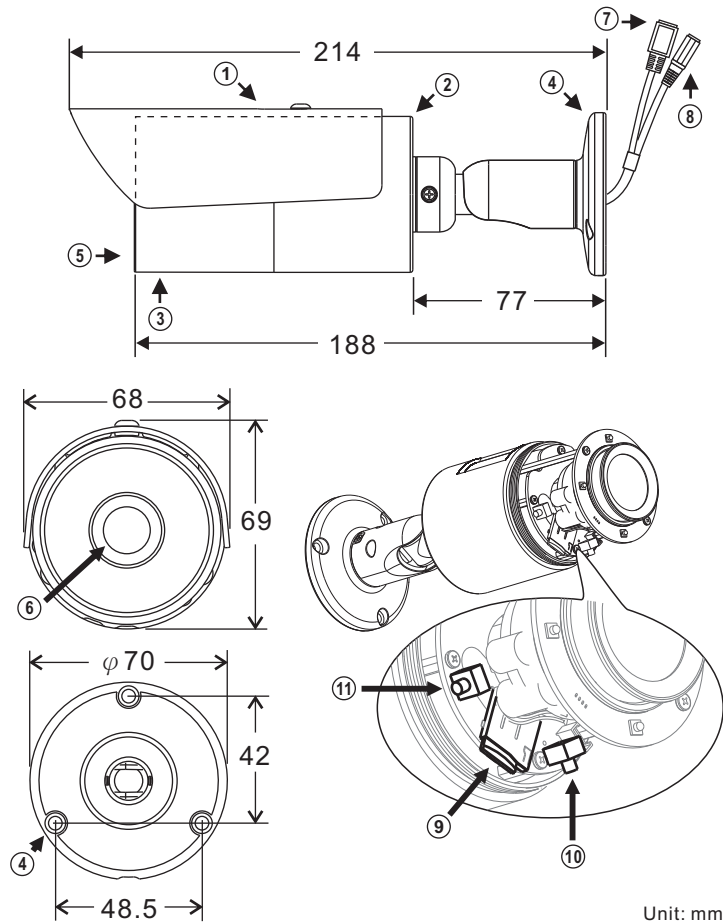


# D/N HD AF IR IP CAMERA

## Instruction Manual

### Part Description & Dimensions

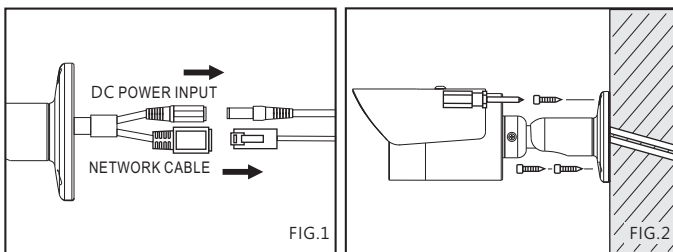


Unit: mm

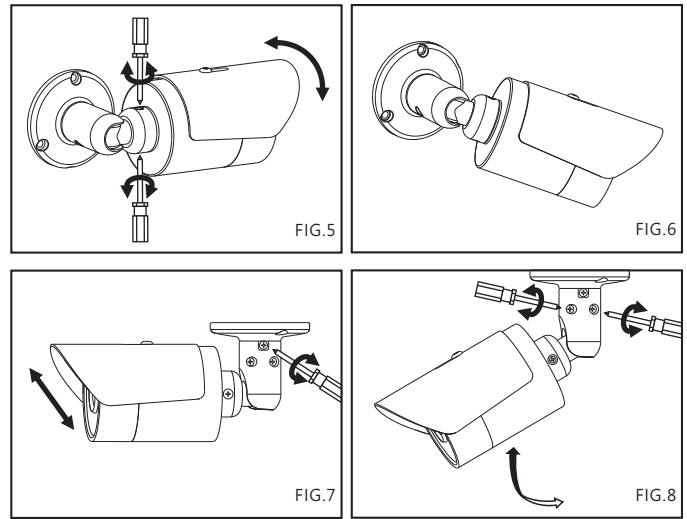
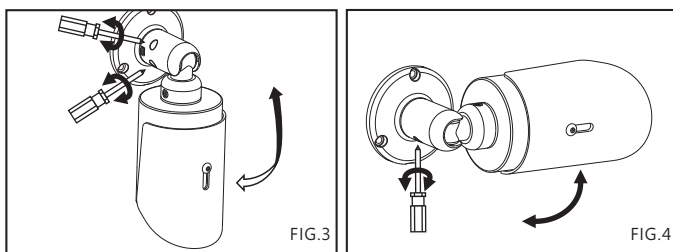
- ① Sun Shield
- ② Main Body
- ③ Front Cover
- ④ Bracket Base
- ⑤ Window
- ⑥ Lens
- ⑦ RJ-45 Network Port (PoE supported)
- ⑧ Power jack (DC12V ±10%)
- ⑨ Micro SD card slot
- ⑩ Factory default button
- ⑪ Auto Focus button

### Installation

1. Remove the camera from the box first. Connect the Ethernet cable and power cable to the camera's RJ-45 network connector and DC power-in connector (FIG.1). Secure the camera to the wall (FIG.2).

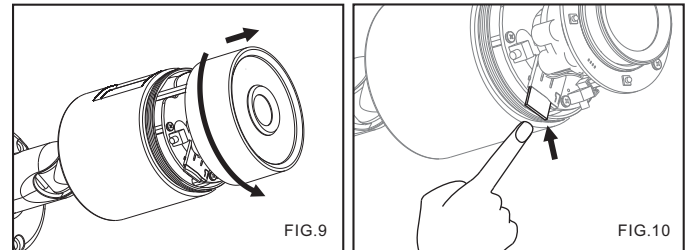


2. Adjust the five adjustment screws to move the camera to the desired angle, and then tighten the adjustment screws (FIG.3~8).



### Inserting a Micro SD Card

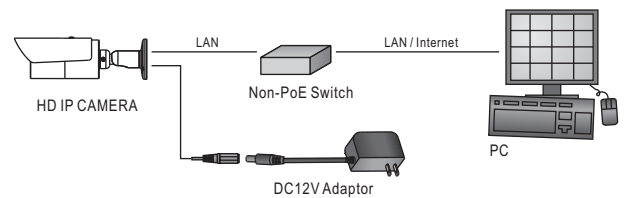
Rotate the front cover counterclockwise to remove it and insert a Micro SD card (FIG.9 & 10).



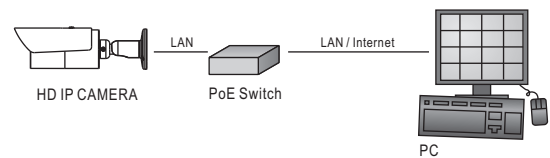
### System Architectures

For connecting D/N 1080P HD IP Camera series to the network, please follow one of the system architectures:

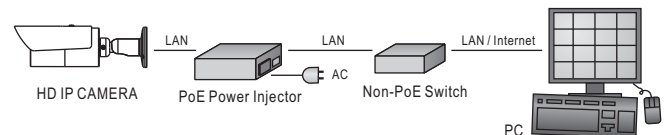
(1). Use DC12V power adaptor and network switch connected to a network.



(2). Use with PoE of the network switch connected to the network.



(3). Use PoE power injector and the network switch connected to the network.



## Emergency Factory Default

To restore the hardware to factory default settings, please follow these steps:

1. Press and hold "RESET Key" for 10 seconds and release.
2. Wait for about 40 seconds, and the network LED light should turn off, and go back on again.
3. The camera is now restored to factory default settings, and will reboot automatically.
4. Search for the IP device using the IPScan software.
5. Start the IP device via an Internet browser.
6. Enter the default username "admin" and password "pass" to operate.

**NOTE:** For your convenience, the IP address will revert to the default setting of 192.168.0.200.

## Before Accessing IP Cameras

Before accessing the IP camera, make sure that the camera's RJ-45 network, audio, and power cables are properly connected. To set the IP address, consult your network administrator for an available IP address. The default IP address for each IP camera is 192.168.0.200. Users can use the default IP address for verifying the camera's network connection.

## Software Requirements

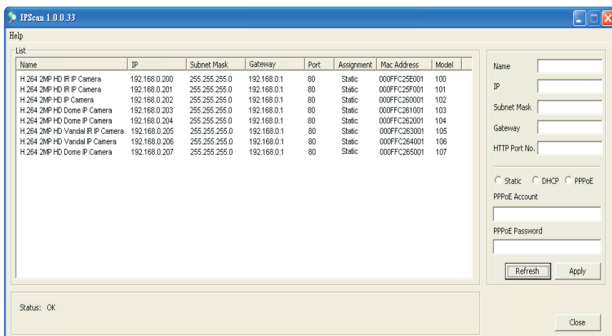
Universal ActiveX software components are required for web interface display of JPEG or H.264 Full HD video. When you login to the IP camera by Internet Explorer, the security warning dialog box will prompt the installation of the Universal ActiveX. Click **Install** to download it.



## Configuring IP Addresses with IPScan Software

To configure an IP address using the IP scan tool, you can copy the IPScan software from the installation CD, and paste to your computer. Alternatively, you can execute the IPScan software from the installation CD. To change the settings of the IP address, subnet mask, gateway, or HTTP port, you can follow the steps below:

1. Run the IPScan software.
2. Click **Refresh**. All available devices should be listed in the device list.
3. Select your device from the list provided.
4. Change the IP address, subnet mask, gateway, or HTTP port for the IP camera.
5. Click **Apply** to submit the settings.
6. Click **Refresh** to verify the settings.



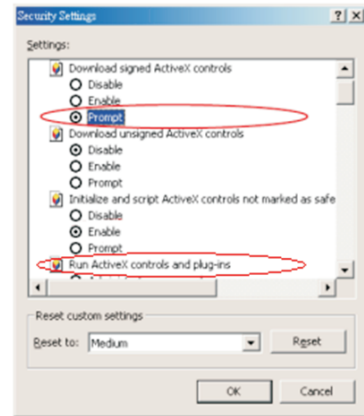
## Configuring IP Addresses via Web Interface

To change an IP address via web interface, type the default IP address (192.168.0.200) in the Internet browser and follow the steps below:

1. Login to the H.264 Full HD IP camera by the default username "admin" and default password "pass".
2. Click **Basic Mode** configuration hyperlink.
3. Click **Network->General** hyperlink.
4. Change the IP address, subnet mask, gateway, or HTTP port for the IP camera.
5. Click **Submit** to verify the settings.

## Internet Browser Settings & Application Required

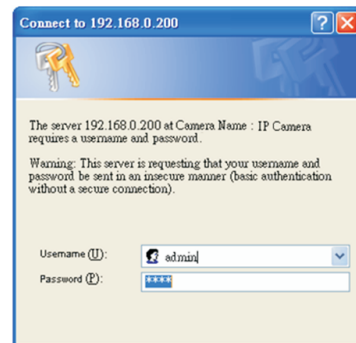
Make sure your Internet browser allows the signed ActiveX plug-in to work on your computer. Set "Download Signed ActiveX plug-in controls" to "Prompt" and "Run ActiveX control and plug-in" to "Enable". You can set this option via Internet Explorer-> Tools-> Options-> Security Settings.



Once complete, you can access the IP camera's live video by entering the default IP address via your Internet browser. As the security warning dialog box appears, click **OK** to download the ActiveX directly from the IP camera.

## Login

There are two levels of user authentication, including admin and guest, that can access the IP camera. Administrator is authorized to reset basic mode settings and see live video, while the guest is allowed to see only live video.



The default usernames and passwords are as follows:

	Administrator
Username	admin
Password	pass

To logon the H.264 FULL HD IP camera, please type username and password in logon HTML page and click on Submit button to enter the system.