

Z series | IP bullet camera

ZMR8122X2-P

Day & Night 2MP HD AF Bullet IR IP Camera

www.meritlilin.com



ZMR8122X2-P is a day & night 2MP auto-focused vandal resistant bullet IR IP camera designed into a range of environments such as retail, home, office, residential premises and hotel security.

It features a full HD 2.0 megapixel CMOS image sensor. The camera has built-in IR-cut filter which allows clearer images at day and night operations even in the low lux condition. The high efficiency IR LED radiant distance can extend up to 40m. Its auto focus feature allows users to automatically focus the camera from a distant location. With motorized lens, all you need to do with zoom/focus adjustments is simply a click on browsers.

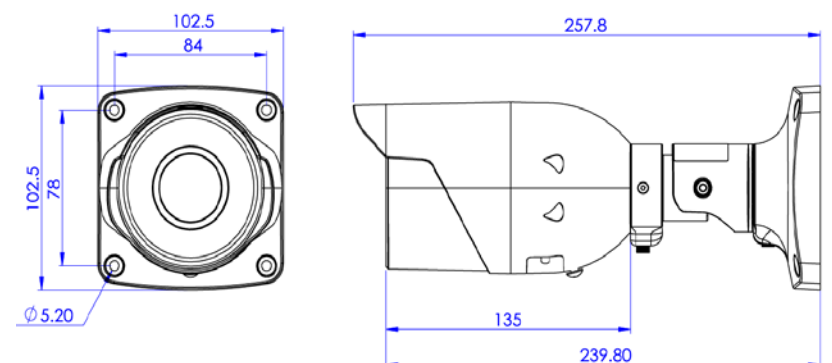
It also has P-Iris which is very good to have larger depth of field, so no matter how far and how close the objects are; ZMR8122X2-P still provides clear images with correct focus. Supported with privacy mask, 3D noise reduction, 2D WDR function, and HDR function up to 100dB, ZMR8122X2-P ensures to deliver a clear and detailed image to the users.



- ▶ Full HD 2.0 megapixel CMOS image sensor
- ▶ 1080P True H.264 AVC High Profile video compression
- ▶ H.264 and Motion JPEG multi-profile video streaming
- ▶ Auto focus with zoom / focus motorized lens
- ▶ P-IRIS supported
- ▶ Smart H.264 supported
- ▶ 3D noise reduction (MCTF)
- ▶ 2D WDR function
- ▶ HDR function up to 100dB
- ▶ Digital PTZ & ROI supported
- ▶ IVS supported
- ▶ Cable managed housing and bracket
- ▶ Tampering / Motion detection alarm function
- ▶ High efficiency IR LED, radiant distance up to 40m
- ▶ Day & Night (IR cut removable)
- ▶ 2-way audio supported
- ▶ Digital I/O: 1 in, 1 out
- ▶ ONVIF Profile S supported

Dimensions:

102.5mm(W) x 102.5mm(H) x 258mm(D)



Two-way Audio Support

With 2-way audio communication, you can project your voice through the camera's speaker instead of hearing what's going on (1-way audio)



Video Security App

Available on Android and iOS – **LILINViewer** app provides security alarm push notification, real-time live viewing, and remote video playback



SD Cards in Sync with NAV Software

ZMR8122X2-P camera with built-in Micro SD/SDHC/SDXC card slots can provide redundant video viewing and recording. You can synchronize an SD card with LILIN VMS (Video Management Software) – Navigator (NAV)

Wind and Rain Standards

Meet international IP66 standards for dust and moisture resistant allowing you to install cameras in environments subject to wind and rain



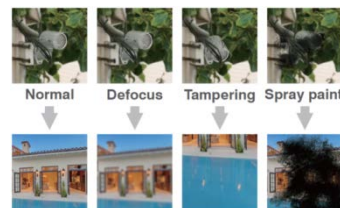
3D Noise Reduction

Remove noise from a signal. Suppressing noise in an image in low light conditions and able to retain quality videos at the same time



Tamper Detection

Automatically detects camera sabotage or failure. Detects any attempts to tamper with the camera – partially or completely blocking its lens or field of view



ONVIF-compliant

Open Network Video Interface Forum (ONVIF) is a standard for physical IP based security products. ZMR8122X2-P camera is ONVIF Profile S conformant



Alarm Detection

Alarm Detection is designed to provide the electronic detection of intruders



Auto Focus feature

Use the camera software to trigger the auto focus function at any time during installation or after. Auto Focus feature to automatically focus the camera from a distant location, which eases the process on installation and helps you effectively position the camera at the right focus angle in a matter of seconds



Day and Night Operations via Removal of the IR-cut filter

ZMR8122X2-P camera was designed using a mechanical IR cut filter for increased IR sensitivity resulting in improved night time images. The removable IR-cut filter allows day and night operations even in the low lux condition providing outstanding vision



Sense Up+

Deliver outstanding video outputs in poor light conditions without experiencing motion blur. You can see video clearly even during nighttime without sufficient lighting support



Back Light Compensation

Back Light Compensation (BLC) adjusts the exposure of the entire image to properly expose the subject of interest. Whether if the subject is moving toward left, right, up, down, or any direction in the screen, BLC will provide the perfect exposure for the subject in front of a strong back light.



Wide Dynamic Range (WDR)

Wide Dynamic Range (WDR) displays details of both the brightest and darkest areas. WDR can extend image visibility under high contrast lighting scenes and improve image quality



Privacy Masking

Privacy Masking is a feature used to protect personal privacy by concealing private areas in the camera's field of view. Doorways and house windows for example are not subject to surveillance



Audio Detection

With Audio Detection technology, an alarm is triggered based on ambient sound conditions as the threshold



Face Detection

Detect motion and capture the event. Motion in the selected area will provoke an alert.



Day & Night 2MP HD AF Bullet IR IP Camera

Video performance

| | |
|-------------------|---|
| Model# | ZMR8122X2-P |
| Min. illumination | Color : 0.03 Lux at F1.8 B/W : 0.007 Lux at F1.8 |
| With Infrared LED | 0 Lux |
| 2D WDR | Off / Auto / x2 / x3 / x4 (by normal mode) |

Power

| | |
|-------------------|--|
| Power consumption | DC12V, 13W / PoE+, 14W |
| Power supply | DC12V ±10% / PoE+ (IEEE 802.3at compliant) |

Sensor

| | |
|---------------------|--|
| Image sensor | 1/2.8" CMOS image sensor |
| Total sensor pixels | 1945 (H) x 1097 (V) = 2,133,665 (pixels) |

Certifications

| | |
|-----------|------------------|
| CE | Yes |
| FCC | Yes, EMI Class B |
| IP rating | IP66 |

Lens

| | | |
|---------------------|--------------------------------------|-------------------|
| Focal length | 7.0 – 22 mm (zoom / focus motorized) | |
| Iris | F1.8 (W) – F2.8 (T), P-IRIS | |
| Angle of View | H | 41° (W) – 14° (T) |
| | V | 22° (W) – 8° (T) |
| | D | 48° (W) – 18° (T) |
| Peak wavelength | 850nm | |
| Infrared LED angle | 60°, 90° | |
| IR radiant distance | 40M | |

Environmental

| | |
|-----------------------|-------------------------------|
| Operating temperature | -40°C – +50°C (-40°F – 122°F) |
|-----------------------|-------------------------------|

PC requirement

| | |
|-----------------|---------------------------------------|
| CPU requirement | Intel i3 or above |
| OS requirement | Windows 7, Windows 8, Windows 10 |
| RAM requirement | 4GB or above, Dedicated Graphics Card |

Mechanical

| | |
|------------|------------------------------------|
| Dimensions | 102.5mm(W) x 102.5mm(H) x 258mm(D) |
| Weight | 1050g |
| Window | Ø75 Heat Resistant Glass |

Input / output

| | |
|----------------------|---|
| Audio input / output | Mono, 1.98 Vp-p, 2.2KΩ, Terminal Block |
| Alarm input / output | Digital 1 input (TTL, +3 – 5VDC) / 1 Output (MOS Relay contact N.O., Load max. 40VDC/300mA), Terminal Block |
| Live video | CVBS 1.0Vp-p, 75 ohm, connector |

Network security

| | |
|---------------|--|
| User accounts | 10 user accounts available |
| Access | Multiple user access levels with password protection |
| Encryption | Base64 HTTP encryption/ Digest HTTP authentication |

Video streaming

| | |
|-------------------|--|
| Video compression | H.264 Main and High Profile, Motion JPEG |
| Video streaming | RTP/HTTP, RTP/TCP, RTP/UDP, Multicast |
| Video bitrate | 128Kbps – 12Mbps Frame rate and bit rate controllable on-the-fly VBR / CBR / GOP supported, Fixed bitrate, Smart H.264 |

Video resolution (H x V)

| | |
|-------------|---|
| 1080p HD | 1920x1080 |
| 720p HD | 1280x960, 1280x720 |
| D1 | 720x480, 720x576 |
| CIF | 640x480, 352x240 |
| Frame rates | H.264 / Motion JPEG: up to 30 fps @ 1920x1080 |

Video functions

| | |
|-------------------------|--|
| IR cut filter | Auto / Schedule / Day (Color) / Night (Mono) |
| Scanning system | Progressive scan |
| Auto focus | One Push |
| White balance | Auto / Tungsten / Indoor / Fluorescents1 / Fluorescents2 / Outdoor1 / Custom |
| Shutter time | 1/30(1/25)s – 1/30000s |
| Back light compensation | On / Off |
| 3D noise reduction | Off / 1 – 32 Selectable |
| S/N Ratio | More than 50dB (AGC off) |
| High dynamic range | Up to 100dB (by HDR mode, 2 shutter line interleave) |
| Privacy masking | Off / On (4 zones) |
| Sense Up | Off / 1 Frame / 2 Frames |
| Auto gain control | 66 dB Variable Gain |
| Other functions | Brightness, Contrast, Hue, Saturation, Sharpness, Mirror, Flip, Lens Distortion Correction |

Integration

| | |
|----------------------|---|
| Mobile phone | Integrated to LILIN mobile app (LILIN Viewer), iPhone, iPad, Android support |
| IVS | Advanced motion detection, Tripwire detection, Semaphore + Tripwire detection, Object counting |
| Video management | ONVIF Profile S, LILIN Navigator Enterprise 1.0 and 2.0 support, Third party VMS through LILIN HTTP API |
| SD card | Support Micro SD/SDHC/SDXC card for circular recording (card is not included) |
| Web browser | Microsoft® Internet Explorer® 9.0 and later |
| Firmware | Firmware update via HTTP and IP Scan Firmware available at web site |
| Alarm event triggers | Motion / Tamper / Audio / Alarm / Network lost detection |
| Alarm event actions | FTP, HTTP post, SD card, SAMBA |

Network

| | |
|---------------------|---|
| Network Interface | 10Base-T / 100Base-TX, RJ-45 |
| Users | 10 simultaneous users |
| ePTZ & digital zoom | Yes, ROI is supported |
| OSD | Text overlay for date, time, and camera name |
| CPU | Embedded SoC ARM Cortex-A9, 600MHz, 256MB DDR3, 256MB flash memory |
| Video display | LILIN Universal ActiveX, LILIN Java Applet & HTML5 |
| OS | Embedded Linux 3.10 |
| Languages | English, Traditional Chinese, Simplified Chinese, Spanish, Italian, Turkish, Russian, Korean, French, Arabic, Hungarian, Japanese |
| Audio | G.711 / PCM / AAC |
| Protocols | IPv4, IPv6, TCP, UDP, HTTP, HTTPS, SMTP, SIP, MQTT, QoS, SNMP, SNMP Trap, NTP, DDNS, UPnP, FTP, ARP, DHCP, PPPoE, DNS, RTSP, RTCP, Telnet, ICMP, IGMP, ONVIF Profile S, SDDP, Bonjour |