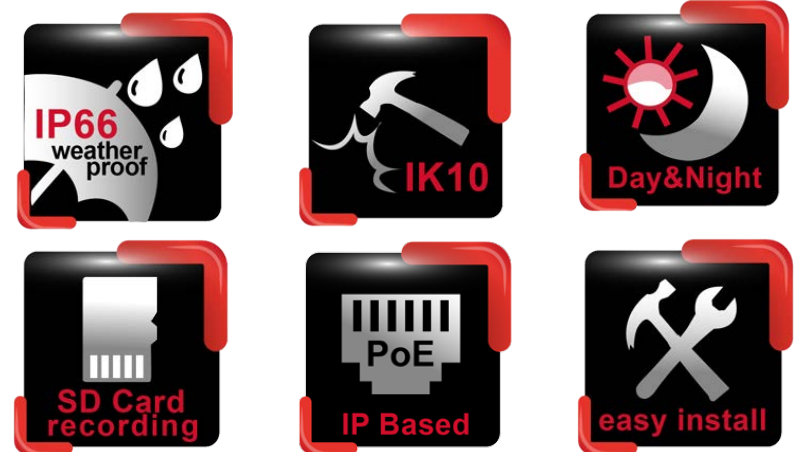


Z series | IP vandal dome

ZMR6442AX-P

Day & Night 4MP HD AF Vandal Resistant Dome IR IP Camera

www.meritlilin.com



ZMR6442AX-P is a day & night 4MP auto-focused vandal resistant dome IR IP camera designed into a range of environments such as retail, home, office, residential premises and hotel security.

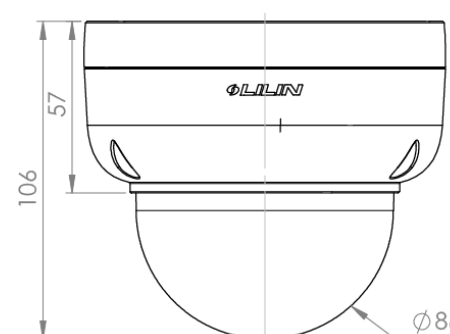
It features a full HD 4.0 megapixel CMOS image sensor. The camera has built-in IR-cut filter which allows clearer images at day and night operations even in the low lux condition. The high efficiency IR LED radiant distance can extend up to 30m. Its auto focus feature allows users to automatically focus the camera from a distant location. With motorized lens, all you need to do with zoom/focus adjustments is simply a click on browsers.

It also has P-Iris which is very good to have larger depth of field, so no matter far and close objects are still clear with correct focus. Supported with privacy mask, 3D noise reduction, 2D WDR function, and HDR function up to 100dB, ZMR6442AX-P ensures to deliver a clear and detailed image to the users.

- ▶ Full HD 4.0 megapixel CMOS image sensor
- ▶ 4MP True H.264 AVC High Profile video compression
- ▶ H.264 and Motion JPEG multi-profile video streaming
- ▶ Auto focus with zoom / focus motorized lens
- ▶ P-IRIS supported
- ▶ Smart H.264 supported
- ▶ 3D noise reduction (MCTF)
- ▶ 2D WDR function
- ▶ HDR function up to 100dB
- ▶ Digital PTZ supported
- ▶ IVS supported
- ▶ Tampering / Audio / Motion detection alarm function
- ▶ Impact Resistant Polycarbonate Dome Cover
- ▶ High efficiency IR LED, radiant distance up to 30m
- ▶ Day & Night (IR cut removable)
- ▶ 2-way audio supported
- ▶ Digital I/O: 1 in, 1 out
- ▶ ONVIF Profile S supported

Dimensions:

Ø120 x 106mm



Two-way Audio Support

With 2-way audio communication, you can project your voice through the camera's speaker instead of hearing what's going on (1-way audio)



Video Security App

Available on Android and iOS – **LILINViewer** app provides security alarm push notification, real-time live viewing, and remote video playback



SD Cards in Sync with NAV Software

ZMR6442AX-P camera with built-in Micro SD/SDHC/SDXC card slots can provide redundant video viewing and recording. You can synchronize an SD card with LILIN VMS (Video Management Software) – Navigator (NAV)



Wind and Rain Standards

Meet international IP66 standards for dust and moisture resistant allowing you to install cameras in environments subject to wind and rain



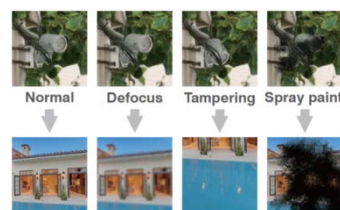
3D Noise Reduction

Remove noise from a signal. Suppressing noise in an image in low light conditions and able to retain quality videos at the same time



Tamper Detection

Automatically detects camera sabotage or failure. Detects any attempts to tamper with the camera – partially or completely blocking its lens or field of view



ONVIF-compliant

Open Network Video Interface Forum (ONVIF) is a standard for physical IP based security products. ZMR6442AX-P camera is ONVIF Profile S conformant



Alarm Detection

Alarm Detection is designed to provide the electronic detection of intruders



Auto Focus feature

Use the camera software to trigger the auto focus function at any time during installation or after. Auto Focus feature to automatically focus the camera from a distant location, which eases the process on installation and helps you effectively position the camera at the right focus angle in a matter of seconds



Day and Night Operations via Removal of the IR-cut filter

ZMR6442AX-P camera was designed using a mechanical IR cut filter for increased IR sensitivity resulting in improved night time images. The removable IR-cut filter allows day and night operations even in the low lux condition providing outstanding vision



Sense Up+

Deliver outstanding video outputs in poor light conditions without experiencing motion blur. You can see video clearly even during nighttime without sufficient lighting support



Impact Resistant

IK10-certified housing designed to protect the camera from destructive behavior



Wide Dynamic Range (WDR)

Wide Dynamic Range (WDR) displays details of both the brightest and darkest areas. WDR can extend image visibility under high contrast lighting scenes and improve image quality



Privacy Masking

Privacy Masking is a feature used to protect personal privacy by concealing private areas in the camera's field of view. Doorways and house windows for example are not subject to surveillance



Audio Detection

With Audio Detection technology, an alarm is triggered based on ambient sound conditions as the threshold



Face Detection

Detect motion and capture the event. Motion in the selected area will provoke an alert.



Day & Night 4MP HD AF Vandal Resistant Dome IR IP Camera

Video performance

Model#	ZMR6442AX-P
Min. illumination	Color: 0.21 Lux at F1.4 B/W: 0.045 Lux at F1.4
With Infrared LED	0 Lux
2D WDR	Off / Auto / x2 / x3 / x4 (by normal mode)

Power

Power consumption	DC12V, 7.4W / PoE, 9W
Power supply	DC12V ±10% / PoE (IEEE 802.3af compliant)

Sensor

Image sensor	1/3" CMOS image sensor
Total sensor pixels	2688 (H) x 1520 (V) = 4,085,760 (pixels)

Certifications

CE	Yes
FCC	Yes, EMI CLASS B
Vandal resistant rating	IK10
IP rating	IP66

Lens

Focal length	2.8 – 12 mm (zoom / focus motorized)	
Iris	F1.4 (W) – F2.8 (T), P-IRIS	
Angle of View	H	89.3° (W) – 30.4° (T)
	V	47.5° (W) – 17.1° (T)
	D	101.7° (W) – 34.2° (T)
Peak wavelength	850nm	
Infrared LED angle	60°, 90°	
IR radiant distance	30M	

Environmental

Operating temperature	-40°C – +50°C (-40°F – 122°F)
-----------------------	-------------------------------

PC requirement

CPU requirement	Intel i3 or above
OS requirement	Windows 7, Windows 8, Windows 10
RAM requirement	4GB or above, Dedicated Graphics Card

Mechanical

Dimensions	Φ 120 x 106mm
Weight	760g

Input / output

Audio input / output	Mono, 1.98 Vp-p, 2.2KΩ, Terminal Block
Alarm input / output	Digital 1 input (TTL, +3 – 5VDC) / 1 Output (MOS Relay contact N.O., Load max. 40VDC/300mA), Terminal Block
Live video	CVBS 1.0Vp-p, 75 ohm, connector

Network security

User accounts	10 user accounts available
Access	Multiple user access levels with password protection
Encryption	Base64 HTTP encryption/ Digest HTTP authentication

Video streaming

Video compression	H.264 Main and High Profile, Motion JPEG
Video streaming	RTP/HTTP, RTP/TCP, RTP/UDP, Multicast
Video bitrate	128Kbps – 12Mbps Frame rate and bit rate controllable on-the-fly VBR / CBR / GOP supported, Fixed bitrate, Smart H.264

Video resolution (H x V)

1080p HD	2688x1520, 2560x1440, 2304x1296, 1920x1080
720p HD	1280x960, 1280x720
D1	720x480, 720x576
CIF	640x480, 352x240
Frame rates	H.264 / Motion JPEG: up to 20 fps @ 2688x1520, up to 25 fps @ 2560x1440, up to 30 fps @ 2304x1296, up to 30 fps @ 1920x1080

Video functions

IR cut filter	Auto / Schedule / Day (Color) / Night (Mono)
Scanning system	Progressive scan
Auto focus	One Push
White balance	Auto / Tungsten / Indoor / Fluorescents1 / Fluorescents2 / Outdoor1 / Custom
Shutter time	1/30(1/25)s – 1/20000s
Back light compensation	On / Off
3D noise reduction	Off / 1 – 32 Selectable
S/N Ratio	More than 50dB (AGC off)
High dynamic range	Up to 100dB (by HDR mode, 2 shutter lines interleave)
Privacy masking	Off / On (4 zones)
Sense Up	Off / 1 Frame / 2 Frames
Auto gain control	36 dB Variable Gain
Other functions	Brightness, Contrast, Hue, Saturation, Sharpness, Mirror, Flip, Lens Distortion Correction

Integration

Mobile phone	Integrated to LILIN mobile app (LILIN Viewer), iPhone, iPad, Android support
IVS	Advanced motion detection, Tripwire detection, Semaphore + Tripwire detection, Object counting
Video management	ONVIF Profile S, LILIN Navigator Enterprise 1.0 and 2.0 support, Third party VMS through LILIN HTTP API
SD card	Support Micro SD/SDHC/SDXC card for circular recording (card is not included)
Web browser	Microsoft® Internet Explorer® 9.0 and later
Firmware	Firmware update via HTTP and IP Scan Firmware available at web site
Alarm event triggers	Motion / Tamper / Audio / Alarm / Network lost detection
Alarm event actions	FTP, HTTP post, SD card, SAMBA

Network

Network Interface	10Base-T / 100Base-TX, RJ-45
Users	10 simultaneous users
ePTZ & digital zoom	Yes, ROI is supported
OSD	Text overlay for date, time, and camera name
CPU	Embedded SoC ARM Cortex-A9, 600MHz, 256MB DDR3, 256MB flash memory
Video display	LILIN Universal ActiveX, LILIN Java Applet & HTML5
OS	Embedded Linux 3.10
Languages	English, Traditional Chinese, Simplified Chinese, Spanish, Italian, Turkish, Russian, Korean, French, Arabic, Hungarian, Japanese
Audio	G.711 / PCM / AAC
Protocols	IPv4, IPv6, TCP, UDP, HTTP, HTTPS, SMTP, SIP, MQTT, QoS, SNMP, SNMP Trap, NTP, DDNS, UPnP, FTP, ARP, DHCP, PPPoE, DNS, RTSP, RTCP, Telnet, ICMP, IGMP, ONVIF Profile S, SDDP, Bonjour