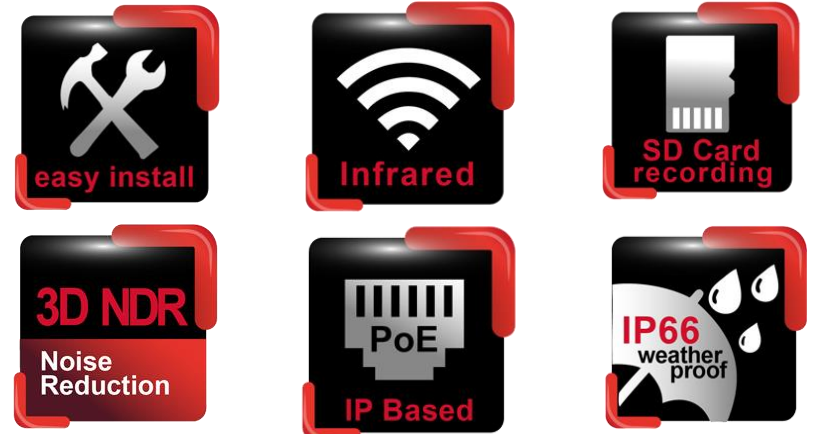


Z series | IP Dome Camera

ZHR6482EX2

4K Ultra HD Auto Focus IR IP Dome Camera

www.meritlilin.com



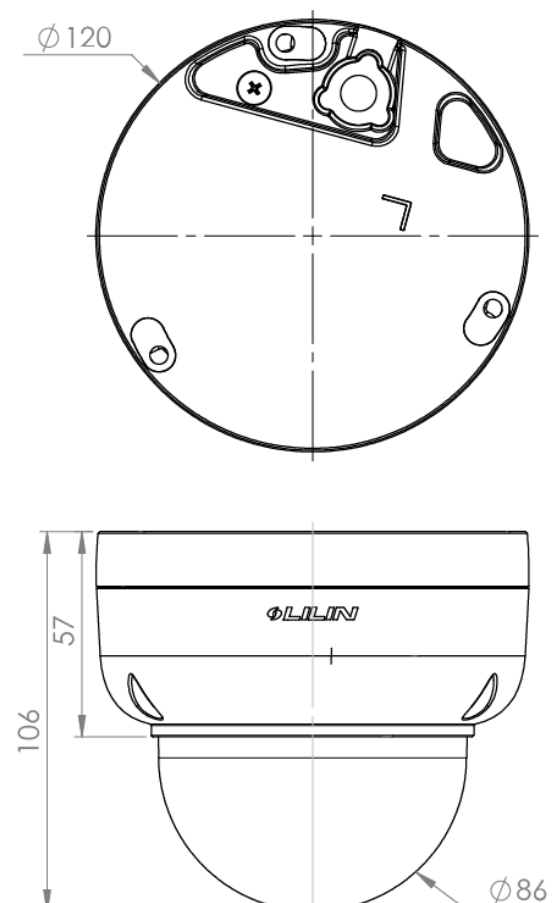
- ▶ Micro SD/SDHC/SDXC card recording supported
- ▶ Digital PTZ supported
- ▶ IP66 rain and dust resistant
- ▶ 30-meter infrared night vision
- ▶ 4K Ultra High Definition resolution



ZHR6482EX2 is 4K Ultra HD IR IP outdoor dome camera integrates Auto Focus lens to focus or zoom adjustments by clicking on browsers, waterproof IP66 rated and Wide Dynamic Range. The camera is featuring 30 frames per second and 3,840-by-2,160-pixel picture. As the demand of super resolution in video surveillance is on the rise, 4K is the stepping stone of prevalent 1080P Full HD. LILIN's new 4K Ultra HD network camera, ZHR6482EX2, enhances HD images by providing four times HD picture with beautifully natural detail and astonishing saturated colors.

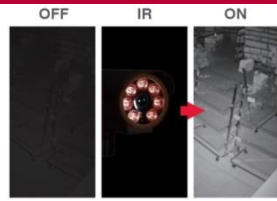
Dimensions: (unit: mm)

Body: 120 x 106mm



Built-in IR Illumination

ZHR6482EX2 IP camera with infrared (IR) illumination where IR LEDs are built-in. Built-in with IR LED, the camera provides night vision up to 35 meters



Auto Focus feature

Use the camera software to trigger the auto focus function at any time during installation or after. Auto Focus feature to automatically focus the camera from a distant location, which eases the process on installation and helps you effectively position the camera at the right focus angle in a matter of seconds



Video Security App

Available on Android and iOS – **LILINViewer** app provides security alarm push notification, real-time live viewing, and remote video playback



Audio Detection

With Audio Detection technology, an alarm is triggered based on ambient sound conditions as the threshold



SD Cards in Sync with NAV Software

ZHR6482EX2 camera with built-in Micro SD/SDHC/SDXC card slots can provide redundant video viewing and recording. You can synchronize an SD card with LILIN VMS (Video Management Software) – Navigator (NAV)



Wind and Rain Standards

Meet international IP66 standards for dust and moisture resistant allowing you to install cameras in environments subject to wind and rain



3D Noise Reduction

Remove noise from a signal. Suppressing noise in an image in low light conditions and able to retain quality videos at the same time



Motion Detection

Detect motion and capture the event. Motion in the selected area will provoke an alert.



ONVIF-compliant

Open Network Video Interface Forum (ONVIF) is a standard for physical IP based security products. ZHR6482EX2 camera is ONVIF Profile S conformant



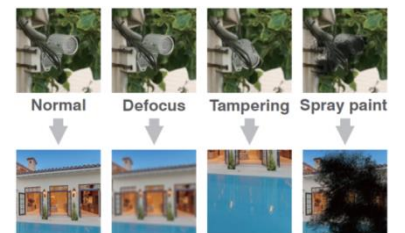
4K Ultra High Definition

4K Ultra HD video doubles the vertical resolution from 1080P to 2160P vertical lines of resolution providing four times HD picture with absolute beautifully natural detail



Tamper Detection

Automatically detects camera sabotage or failure. Detects any attempts to tamper with the camera – partially or completely blocking its lens or field of view



Alarm Detection

Alarm Detection is designed to provide the electronic detection of intruders



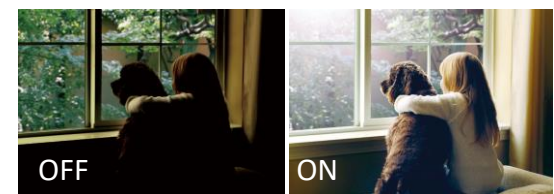
Sense Up+

Deliver outstanding video outputs in poor light conditions without experiencing motion blur. You can see video clearly even during nighttime without sufficient lighting support



Back Light Compensation

Back Light Compensation (BLC) adjusts the exposure of the entire image to properly expose the subject in the foreground. No matter if the main object is moving toward left, right, upper, lower, or any location in the screen, BLC provides perfect exposure for an object in front of strong back light



Wide Dynamic Range (WDR)

Wide Dynamic Range (WDR) displays details of both the brightest and darkest areas. WDR can extend image visibility under high contrast lighting scenes and improve image quality



Privacy Masking

Privacy Masking is a feature used to protect personal privacy by concealing private areas in the camera's field of view. Doorways and house windows for example are not subject to surveillance



Day & Night 4K Ultra HD Auto Focus IR IP Dome Camera

Video performance

Model#	ZHR6482EX2
Low Light Mode	Color: 0.4 Lux at F1.6, B/W: 0.08 Lux at F1.6
With Infrared LED	0.0 lux
2D WDR	Off / Auto / x2 / x3 / x4

Power

Power consumption	DC12V, 9.5W / PoE, 10.5W
PoE	IEEE 802.3at
Power supply	DC12V ±10% Power over Ethernet (IEEE 802.3at compliant)

Sensor

Sensor type	1/1.8" CMOS image sensor
Total sensor pixels	4072 (H) x 3046 (V) = 12,403,312 pixels

Certifications

CE	Yes
FCC	Yes EMI Class B
IP Rating	IP66 waterproof
Vandal resistant rating	IK10

Lens

Focal length	3.6mm – 10mm
Iris	F1.5
Angle of View	(H) 94° – 39.9°

Night vision (infrared LED)

Distance	30m
Peak wavelength	850nm
Beam spread	60° ~ 90°

Environmental

Operating temperature	-40°C ~ 50°C (-40°F - 122°F)
-----------------------	------------------------------

PC requirement

CPU	Intel Core 2 Duo E6400 2.13GHz or above
OS	Windows 7, Windows 8 and above
RAM	2GB or above, Independent Display Card

Mechanical

Dimensions	Ø120mm x 106mm approx.
Weight	720g

Integration

Mobile application	Integrated to LILIN mobile app (LILINViewer) iPhone, iPad, Android support
Video management	ONVIF Profile S LILIN Navigator Enterprise 2.0 Third party VMS through LILIN HTTP API
SD card recording	Support Micro SD/SDHC/SDXC card for circular recording (card is not included)
Web browser	Internet Explorer 10 and later
Firmware	Firmware upgrade via HTTP Firmware available at meritlilin.com
Alarm event triggers	Tampering / audio / motion / alarm detection Image upload over HTTP, FTP, and E-mail by tampering / audio / motion detection
Alarm event actions	FTP, SMTP, HTTP post, SD card, SAMBA
Alarm weighted mode	Yes

Copyright © Merit LILIN 2018 | All rights reserved | Product specifications and availability are subject to change without notice

Video streaming

Video compression	H.264 main and high profile, Motion JPEG
Streaming	RTP/HTTP, RTP/TCP, RTP/UDP, Multicast
Bitrate	128Kbps-12Mbps Frame rate and bitrate controllable on-the-fly VBR / CBR / GOP supported
IP address filter	Yes
RTSP Authentication	On / Off

Video resolution (H x V)

4K Ultra HD	3840 x 2160
1080p HD	1920 x 1080
720p HD	1280 x 720
D1	720 x 480
CIF	352 x 240
Frame rate	Single-stream mode, H.264: up to 30 fps @ 3840 x 2160 Multi-stream mode, H.264: up to 24fps @ 3840 x 2160, 30 fps @ 1920 x 1080, Motion JPEG: up to 30fps @ 1920 x 1080

Video functions

Scanning system	Progressive scan
Day/Night (IR-cut filter)	Color (Day), Monochrome (Night), Auto, Schedule
Adjustable picture setting	Contrast, Brightness, Saturation
White balance	Auto / Tungsten / Indoor / Fluorescents1 / Fluorescents2 / Outdoor1 / Outdoor2
Shutter	1/30(1/25)s ~ 1/30000s
Back light compensation	On / Off
3D noise reduction	Off / 1 to 32 selectable
Privacy masking	Off / On (4 independent areas)
Sense Up	Off / 1 frame / 2 frames
Sense Up+	Yes
Auto gain control	42 dB variable gain
Auto Focus	One push
Smart IR	Off / On
Other functions	Sharpness, Image flip, Image mirror, Hue
D/N quality setting	Yes

Network

Ethernet	10/100/1000 Mbps Base-T, RJ-45
Connectivity	ONVIF Profile S
Users	8 simultaneous users
ePTZ & Digital zoom	Yes, ROI is supported
OSD	Text overlay for date, time and camera name
CPU, Memory	Embedded SoC, 1.2GHz Dual ARM Cortex-A9 & 600MHz ARM11, 1GB DDR3, 256MB flash memory
Video display	LILIN Universal ActiveX & LILIN Java Applet
OS	Embedded Linux 3.8.0
2-way Audio	G.711 / PCM
Protocols	IPv4, IPv6, TCP, UDP, HTTP, HTTPS, SMTP, MQTT, QoS, SNMP, SNMP Trap, NTP, DDNS, UPnP, FTP, ARP, DHCP, PPPoE, DNS, RTSP, RTCP, Telnet, ICMP, IGMP, ONVIF Profile S, Bonjour, 802.1x
Multi IP address	Yes

Network security

User accounts	10 user accounts available
Access	Multiple user access levels with password protection
Encryption	Base 64 HTTP encryption

Input / output

Live video output	CVBS 1.0Vp-p, 75 ohm, connector
Audio input / output	Mono, 1.98 Vp-p, 2.2KΩ, Terminal block (Pigtail)
Alarm input / output	Digital 1 input (TTL, +3 – 5VDC) / 1 Output (MOS Relay contact N.O., Load max. 40VDC/300mA), Terminal block