

SR6422EX3

Day & Night 1080P@60fps HD Vandal

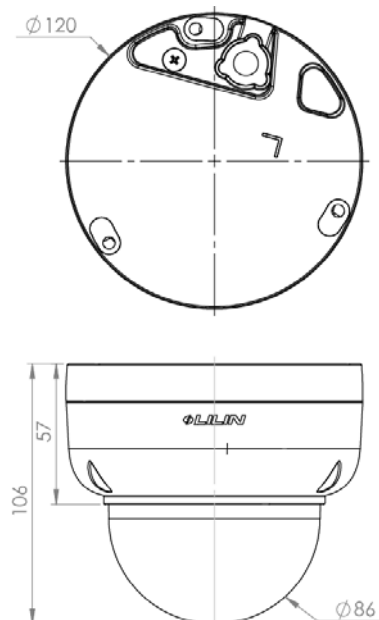
Resistant Dome IR IP Camera



- ▶ Full HD 2.0 megapixel MOS image sensor
- ▶ 1080P@60fps True H.264 AVC High Profile Video compression
- ▶ H.264 and Motion JPEG multi-profile video streaming
- ▶ 3D noise reduction (MCTF)
- ▶ 2D WDR function
- ▶ HDR function up to 120dB
- ▶ Defog function
- ▶ Digital PTZ supported
- ▶ IVS supported
- ▶ Tampering detection / audio detection / motion detection alarm function
- ▶ Impact Resistant Polycarbonate Dome Cover
- ▶ High efficiency IR LED, radiant distance up to 30m
- ▶ Smart IR supported
- ▶ Day & Night (IR cut removable)
- ▶ 2-way audio supported
- ▶ Digital I/O: 1 in, 1 out
- ▶ ONVIF Profile S supported

SR6422EX3 is a perfect IP camera choice for low-light conditions. It features 1080P@60fps and full HD 2.0 megapixel CMOS image sensor, ensuring to provide users with superb image quality. In the combination of HDR up to 120dB, 3D noise reduction, intelligent image signal processing, and the built-in Sense-up+ technology, SR6422EX3 delivers excellent image under low-light conditions without any motion blur. The embedded ROI function allows you to select the specific area based on your request, providing clear and detailed images which feed your needs. Its IP66-rated house designed and impact resistant polycarbonate dome cover makes sure that users can withstand of various difficult weather conditions such as rain, dust and fog.

Dimensions (unit in mm):
Body: 120 x 106mm



High Dynamic Range

A High Dynamic Range image displays details of both the brightest and darkest areas. HDR extend image visibility scenes and improve image quality.



Back Light Compensation

Back Light Compensation (BLC) adjusts the exposure of the entire image to properly expose the subject in the foreground. No matter if the main object is moving toward left, right, upper, lower, or any location in the screen, BLC provides perfect exposure for an object in front of strong back light



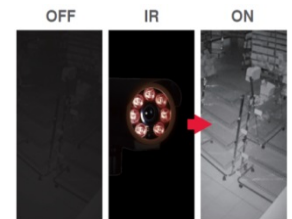
Sense Up+

Deliver outstanding video outputs in poor light conditions without experiencing motion blur. You can see video clearly even during nighttime without sufficient lighting support



Built-in IR Illumination

IP camera with infrared (IR) illumination where IR LEDs are built-in. Built-in with IR LED, the camera provides night vision up to 30 meters



Video Security App

Available on Android and iOS – **LILINViewer** app provides security alarm push notification, real-time live viewing, and remote video playback



Day and Night Operations via Removal of the IR-cut filter

IP camera was designed using a mechanical IR cut filter for increased IR sensitivity resulting in improved night time images. The removable IR-cut filter allows day and night operations even in the low lux condition providing outstanding vision



ONVIF-compliant

Open Network Video Interface Forum (ONVIF) is a standard for physical IP based security products. SR6422EX3 camera is ONVIF Profile S conformant



Motion Detection

Detect motion and capture the event. Motion in the selected area will provoke an alert



Tamper Detection

Automatically detects camera sabotage or failure. Detects any attempts to tamper with the camera – partially or completely blocking its lens or field of view



Alarm Detection

Alarm Detection is designed to provide the electronic detection of intruders



SD Cards in Sync with NAV Software

IP camera with built-in Micro SD/SDHC/SDXC card slots can provide redundant video viewing and recording. You can synchronize an SD card with LILIN VMS (Video Management Software) – Navigator (NAV)



3D Noise Reduction

Remove noise from a signal. Suppressing noise in an image in low light conditions and able to retain quality videos at the same time



Day & Night 1080P60 HD Vandal Resistant Dome IR IP Camera

Video performance

Model#	SR6422EX3
Min. illumination	Color: 0.06 Lux at F1.4 B/W: 0.02 Lux at F1.4
With Infrared LED	0 Lux

Power

Power consumption	DC12V, 9W / PoE, 10.5W
Power supply	DC12V \pm 10% / PoE (IEEE 802.3af compliant)

Sensor

Image sensor	1/2.86" MOS image sensor
Total sensor pixels	1952 (H) x 1266 (V) = 2,471,232 pixels

Certifications

CE	Yes
FCC	Yes
IP Rating	IP66
Vandal Resistant Rating	IK10

PC requirement

CPU requirement	Intel i3 or above
OS requirement	Windows 7, Windows 8, Windows 10
RAM requirement	4GB or above, Dedicated Graphics Card

Mechanical

Dimensions	Φ 120 x 106mm
Weight	770g

Input / output

Live video	CVBS 1.0Vp-p, 75 ohm, connector
Audio input / output	Mono, 1.98 Vp-p, 2.2K Ω , Terminal Block
Alarm input / output	Digital 1 input (TTL, +3 – 5VDC) / 1 Output (MOS Relay contact N.O., Load max. 40VDC/300mA), Terminal Block

Video streaming

Video compression	H.264 Main and High Profile, Motion JPEG
Video streaming	RTP/HTTP, RTP/TCP, RTP/UDP, Multicast
Video bitrate	128Kbps – 12Mbps Frame rate and bit rate controllable on-the-fly VBR / CBR / GOP supported, Fixed bitrate

Network security

User accounts	10 user accounts available
Access	Multiple user access levels with password protection
Encryption	Base64 HTTP encryption

Integration

Mobile phone	Integrated to LILIN mobile app (LILIN Viewer) iPhone, iPad, Android support
Video management	ONVIF Profile S LILIN Navigator Enterprise 2.0 Third party VMS through LILIN HTTP API
SD card	Support Micro SD/SDHC/SDXC card for circular recording (card is not included)
Web browser	Microsoft® Internet Explorer® 10 and later
Firmware	Firmware upgrade via HTTP, and IP Scan Firmware available at web site
Alarm event triggers	Motion/Tamper/Audio/Alarm/Network lost detection
Alarm event actions	FTP, HTTP post, SD card, SAMBA
IVS	Motion detection, Tamper detection, Zone Entering, Direction detection, Zone crossing

Environmental

Operating temperature	-40°C – +50°C (-40°F – 122°F)
-----------------------	-------------------------------

Lens / Night vision (infrared LED)

Focal length	2.8 – 12 mm	
Iris	F1.4	
Angle of view	H	91.2° (W) – 25.5° (T)
	V	46.4° (W) – 20.2° (T)
	D	99° (W) – 40.8° (T)
IR radiant distance	30m	
Peak wavelength	850nm	
Infrared LED angle	60°, 90°	

Video resolution (H x V)

1080P	1920 x 1080
1280x960	1280 x 960
720P	1280 x 720
D1	720 x 480, 720 x 576
VGA	640 x 480
CIF	352 X 240

Frame rates	Dual-stream mode, H.264: up to 60 fps @ 1920 x 1080, Motion JPEG: up to 60fps @ 1920 x 1080 HDR mode, H.264: up to 30 fps @ 1920 x 1080, Motion JPEG: up to 30fps @ 1920 x 1080
Smart IR	Off / On

Video functions

IR cut filter	Auto / Schedule / Day (Color) / Night (Mono)
Scanning system	Progressive scan
White balance	Auto / Tungsten / Indoor / Fluorescents1 / Fluorescents2 / Outdoor1 / Outdoor2
Shutter time	1/30(1/25)s to 1/30000s
Back light compensation	On / Off
2D WDR	Off / Auto / x2 / x3 / x4 (by normal mode)
High dynamic range	Up to 120dB (by HDR mode, 2 shutter line interleave)
3D noise reduction	Off / 1 to 32 selectable
Privacy masking	Off / On (4 zones)
Sense Up	Off / 1 frame / 2 frames
Sense Up+	Yes
Auto gain control	54 dB variable gain
Other functions	Brightness, Contrast, Hue, Saturation, Sharpness, Mirror, Flip, Defog

Network

Network Interface	10Base-T/100Base-TX/1000Base-T, RJ-45
Users	10 simultaneous users
OSD	Text overly for date, time, and camera name
CPU, Memory	Embedded SoC, 1.2GHz Dual ARM Cortex-A9, 1GB DDR3L, 256MB flash memory
Video display	LILIN Universal ActiveX, LILIN Java Applet & HTML5
OS	Embedded Linux 3.8.0
Audio	G.711 / PCM
ePTZ & Digital Zoom	Yes, ROI is supported
Protocols	IPv4, IPv6, TCP, UDP, HTTP, HTTPS, SMTP, SIP, MQTT, QoS, SNMP, SNMP Trap, NTP, DDNS, UPnP, FTP, ARP, DHCP, PPPoE, DNS, RTSP, RTCP, Telnet, ICMP, IGMP, ONVIF Profile S, SDDP, Bonjour