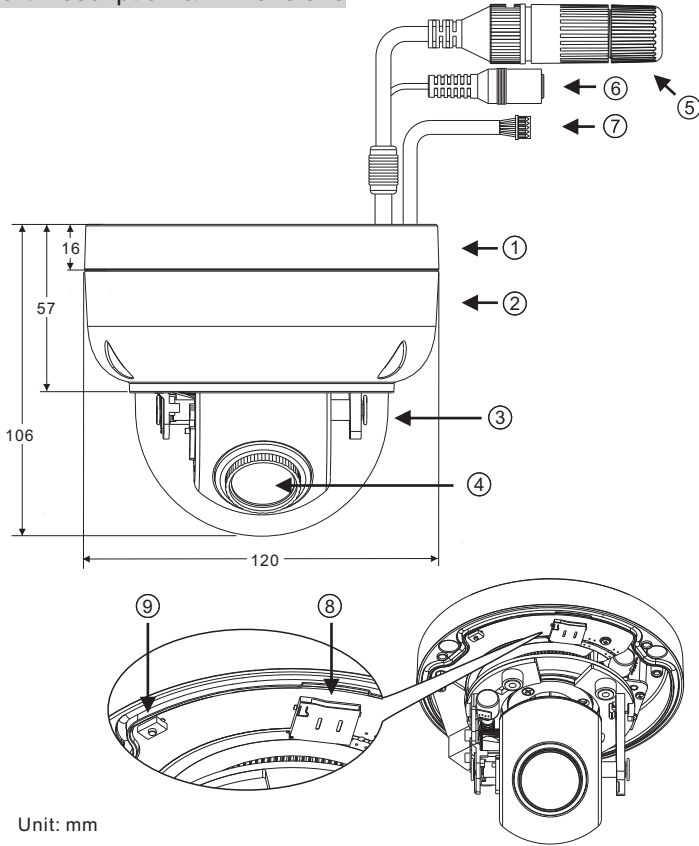


Instruction Manual

Part Description & Dimensions

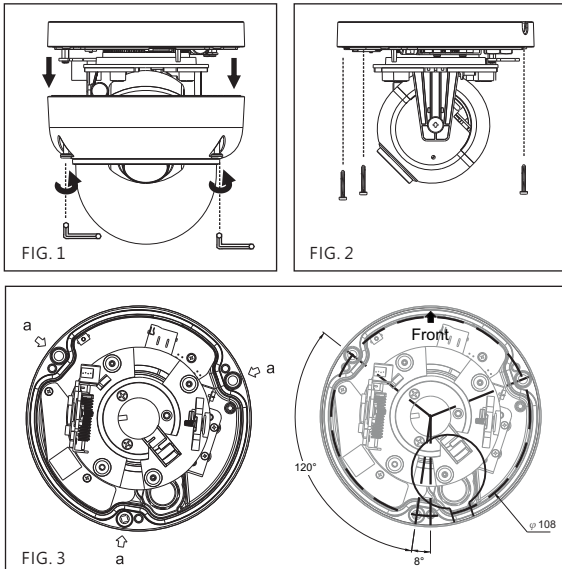


Unit: mm

- ① Bottom bracket
- ② Upper cover
- ③ Transparent cover
- ④ Lens
- ⑤ RJ-45 Ethernet connector (supports PoE)
- ⑥ Power jack (DC12V ±10%)
- ⑦ Alarm In/Out connector
- ⑧ Micro SD card slot
- ⑨ Factory default button

Installation

- Retrieve the camera and remove the bottom bracket from the upper cover with a hex key (FIG.1). Use the included screws (M4.0x25) through the holes marked as "a," and fix the camera in the desired location (FIG.2 & FIG.3). **NOTE:** The line group direction in the back.

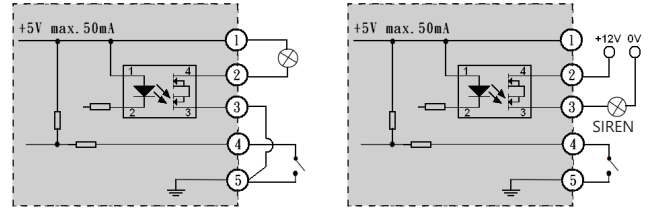
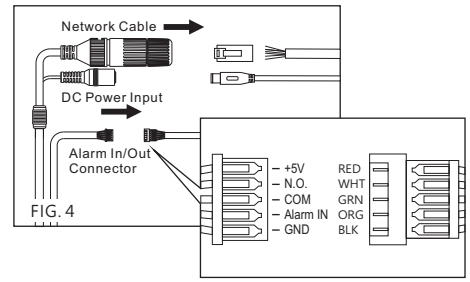


- Attach the Ethernet and power cables and Alarm in/out jack connector to the RJ-45 connector and the DC-in connector and Alarm in/out connector, respectively (FIG.4).

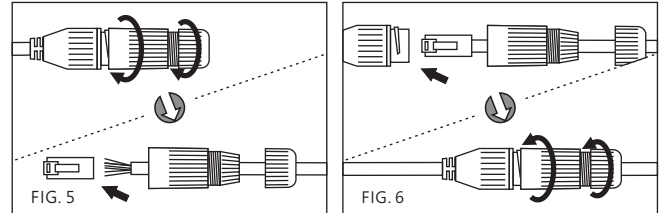


66-PZD6422CSE-2

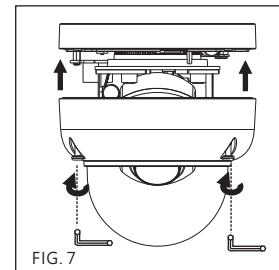
Warning: Do not throw your product in municipal waste. This product has been designed to enable proper reuse of parts and recycling. The symbol of the crossed out wheeled bin indicates that the product (electrical and electronic equipment) should not be placed in municipal waste. Check local regulation for disposal of electronics products.



- Connect the RJ-45 Ethernet cable with a waterproof connector. First, remove the waterproof connector and unscrew the waterproof nut. Insert the Ethernet cable and connect to the RJ-45 connector with proper tools (FIG.5). Then, tighten the waterproof connector and nut before the RJ-45 connector is connected to the camera (FIG.6).



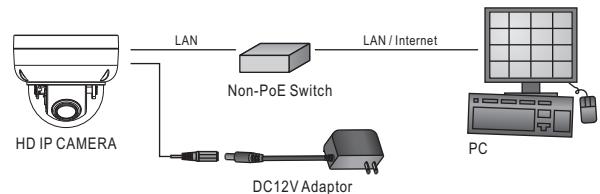
- Secure the upper cover to the bottom bracket with a hex key (FIG.7).



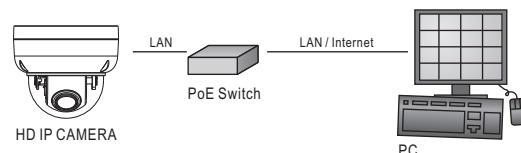
System Architectures

For connecting D/N HD IP Camera series to the network, please follow one of the system architectures:

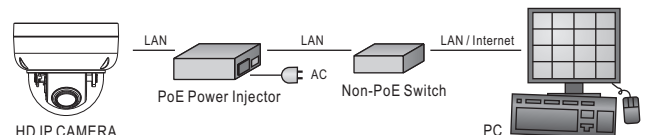
- Use DC12V power adaptor and network switch connected to a network.



- Use with PoE of the network switch connected to the network.



- Use PoE power injector and the network switch connected to the network.



Emergency Factory Default

- To restore the hardware to factory default settings, please follow these steps:
1. Press and hold "RESET Key" for 10 seconds and release.
 2. Wait for about 40 seconds, and the network LED light should turn off, and go back on again.
 3. The camera is now restored to factory default settings, and will reboot automatically.
 4. Search for the IP device using the IPScan software.
 5. Start the IP device via an Internet browser.
 6. Enter the default username "admin" and password "pass" to operate.

NOTE: For your convenience, the IP address will revert to the default setting of 192.168.0.200.

Before Accessing IP Cameras

Before accessing the IP camera, make sure that the camera's RJ-45 network, audio, and power cables are properly connected. To set the IP address, consult your network administrator for an available IP address. The default IP address for each IP camera is 192.168.0.200. Users can use the default IP address for verifying the camera's network connection.

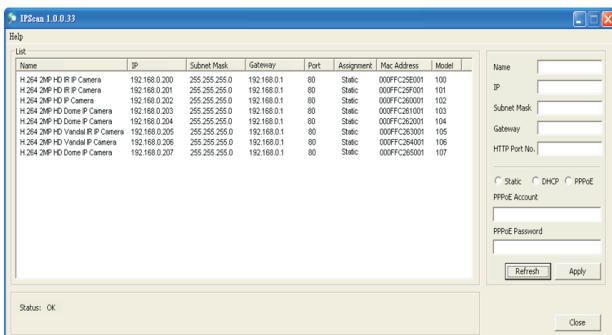
Software Requirements

Universal ActiveX software components are required for web interface display of JPEG or Full HD video. When you login to the IP camera by Internet Explorer, the security warning dialog box will prompt the installation of the Universal ActiveX. Click **Install** to download it.



Configuring IP Addresses with IPScan Software

- To configure an IP address using the IP scan tool. To change the settings of the IP address, subnet mask, gateway, or HTTP port, you can follow the steps below:
1. Run the IPScan software.
 2. Click **Refresh**. All available devices should be listed in the device list.
 3. Select your device from the list provided.
 4. Change the IP address, subnet mask, gateway, or HTTP port for the IP camera.
 5. Click **Apply** to submit the settings.
 6. Click **Refresh** to verify the settings.



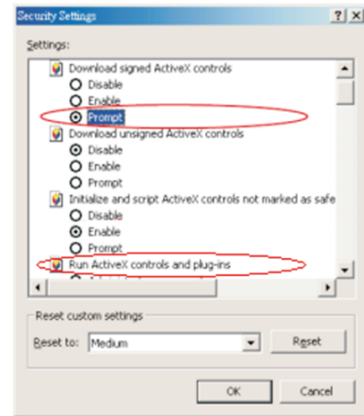
Configuring IP Addresses via Web Interface

To change an IP address via web interface, type the default IP address (192.168.0.200) in the Internet browser and follow the steps below:

1. Login to the Full HD IP camera by the default username "admin" and default password "pass".
2. Click **Basic Mode** configuration hyperlink.
3. Click **Network->General** hyperlink.
4. Change the IP address, subnet mask, gateway, or HTTP port for the IP camera.
5. Click **Submit** to verify the settings.

Internet Browser Settings & Application Required

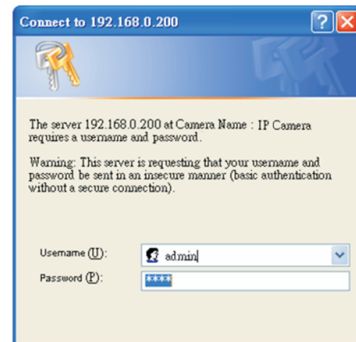
Make sure your Internet browser allows the signed ActiveX plug-in to work on your computer. Set "Download Signed ActiveX plug-in controls" to "Prompt" and "Run ActiveX control and plug-in" to "Enable". You can set this option via Internet Explorer-> Tools-> Options-> Security Settings.



Once complete, you can access the IP camera's live video by entering the default IP address via your Internet browser. As the security warning dialog box appears, click **OK** to download the ActiveX directly from the IP camera.

Login

To logon the HD IP camera, please type username and password in logon HTML page and click on Submit button to enter the system.



The default usernames and passwords are as follows:

	Administrator
Username	admin
Password	pass

CAUTION

1. To avoid short circuit and electric shock, supply power only after the camera cover gets fixed.
2. DO NOT use your hand to pan or to tilt the lens. Panning or tilting the lens will break the motor of the camera.
3. DO NOT wall mount this camera. Wall mounting for the camera will scratch the cover of the camera.