

PTZ series | Outdoor PTZ Camera

PSD4624EX30

30X Day & Night 60fps Full HD PTZ Dome IP Camera

www.meritlilin.com



Speed Dome 	Defog function 	IP66 	SD card recording
30X zoom 	PTZ control 	Day / Night 	IP based

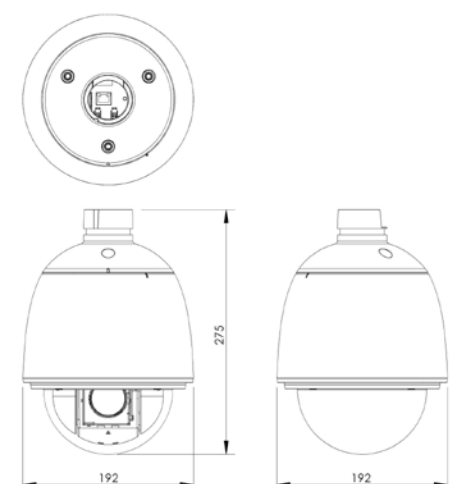


The PSD4624EX30 is 1080P HD PTZ IP Camera featuring 30X optical zoom capability. The high-speed dome is capable of streaming HD video at up to 60 frames per second. Featuring Wide dynamic Range (WDR) feature, the PSD4624EX30 captures highlights and shadows simultaneously, eliminating pixilation and smear. Capable of making 360° continuous rotations, users can accurately position the camera to identify specific targets. PSD4624EX30 PTZ camera provide IP66-rated protection against water and dust. With built-in heaters and fans, the cameras are able to be used in temperatures ranging from -40 °C~+50°C. The 30X optical zoom gives the PSD4624 an impressive range. With a focal length of 4.3mm (WIDE)~129mm (TELE), PSD4624EX30 is ideal for numerous applications.

Mounting Options	
Wall Mount	BTS03W
	PIH-520LBW
	PIH-520LW
Swan Neck	PIH-520G
Pendant Mount	PIH-520HBW
Pendant Mount	BTS06W

- ▶ Outdoor PTZ camera
- ▶ 30X optical zoom
- ▶ IP66 rain and dust resistant
- ▶ IR cut filter for day/night operations
- ▶ 1080p resolution
- ▶ Wide Dynamic Range up to 90dB
- ▶ H.264 and Motion JPEG multi-profile video streaming

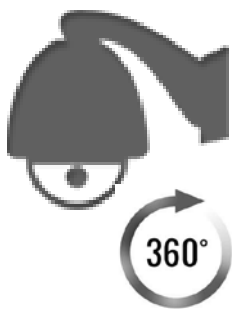
Dimensions: (unit: mm)
Body : 275 (H) x 192 (D)



Product Features

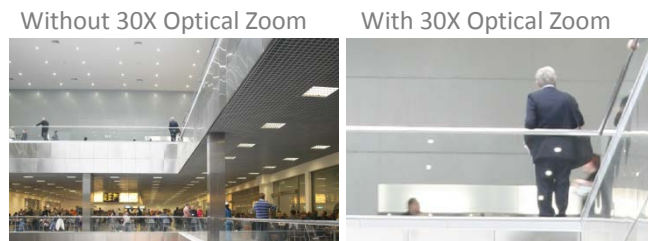
PTZ Control Function

Pan-Tilt-Zoom (PTZ) cameras are able to perform remote directional and zoom control. Capable of making 360° continuous rotations and 180° tilt angle, the cameras field of view can be quickly zoomed and repositioned as needed to identify specific targets



30X Optical Zoom

Remote pan/tilt/zoom operations with 30X optical lens makes it possible to zoom in on distant object with absolute clarity



Video Security App

Available on Android and iOS – **LILINViewer** app provides security alarm push notification, real-time live viewing, and remote video playback



Day and Night Operations via Removal of the IR-cut filter

PSD4624 camera was designed using a mechanical IR cut filter for increased IR sensitivity resulting in improved night time images. The removable IR-cut filter allows day and night operations even in the low lux condition providing outstanding vision



SD Cards in Sync with NAV Software

PSD4624 camera with built-in Micro SD/SDHC card slots can provide redundant video viewing and recording. You can synchronise an SD card with LILIN VMS (Video Management Software) – Navigator (NAV)



Motion Detection

Detect motion and capture the event. Motion in the selected area will provoke an alert



Wind and Rain Standards

Meet international IP66 standards for dust and moisture resistant allowing you to install cameras in environments subject to wind and rain



Two-way Audio Support

With 2-way audio communication, you can project your voice through the camera's speaker instead of hearing what's going on (1-way audio)



ONVIF-compliant

Open Network Video Interface Forum (ONVIF) is a standard for physical IP based security products. PSD4624 PTZ camera is ONVIF Profile S conformant



Wide Dynamic Range (WDR)

Wide Dynamic Range (WDR) displays details of both the brightest and darkest areas. WDR can extend image visibility under high contrast lighting scenes and improve image quality



Alarm Detection

Alarm Detection is designed to provide the electronic detection of intruders



Audio Detection

With Audio Detection technology, an alarm is triggered based on ambient sound conditions as the threshold



Technical Specifications

30X Day & Night 60fps Full HD PTZ Dome IP Camera

Video performance

Model#	PSD4624EX30
Low Light Mode (Colour)	0.5 lux (1/30 sec, F1.6(Wide), 50IRE, AGC-Gain: 30dB ICR-OFF Color mode) 0.1 lux (1/30 sec, F1.6(Wide), 50IRE, AGC-Gain: 30dB ICR-ON B/W mode) 0.2 lux (1/8 sec, F1.6(Wide), 50IRE, AGC-Gain: 30dB ICR-OFF Color mode) 0.01 lux (1/8 sec, F1.6(Wide), 50IRE, AGC-Gain: 30dB ICR-ON B/W mode)
WDR	Yes

Power

Power consumption	30W, 55W (Heater ON)
PoE+	High power PoE
Power supply	AC24V±10% / DC24V Power over Ethernet+

Sensor

Sensor type	1/2.8" Type CMOS Sensor
Effective pixels	1944 (H) x 1224 (V) = 2,379,456 (pixels)
Total number of pixels	1952 (H) x 1236 (V) = 2,412,672 (pixels)

Certifications

CE	Yes
FCC	Yes
IP Rating	IP66 waterproof

Lens

Zoom ratio	30X optical zoom
Focal length	4.3mm (WIDE) ~ 129mm (TELE)
Minimum aperture ratio	1:1.6 (WIDE)~5.0 (TELE)
Minimum object distance	10mm (WIDE end), 1.5m (TELE end)
Iris range	F1.6~32, close
Angle field of view	Approx. 64.45°(H) 39.27°(V) (WIDE end), approx. 2.41°(H) 1.36°(V) (TELE end), (1080p mode)

Pan & Tilt

Panning range	360° Endless
Panning mode	Manual , Auto , Manual Position , Sequential Position
Panning speed	Manual Approx. 0.1°/s ~ 120°/s 8 Steps / Preset Approx. 1°/s ~ 360°/s, Alarm Trigger Speed 360°/s
Tilting range	-6° ~ +180°
Tilting mode	Manual , Auto , Manual Position , Sequential Position
Tilting speed	Manual Approx. 0.1°/s ~ 120°/s 8 Steps / Preset Approx. 1°/s ~ 360°/s, Alarm Trigger Speed 360°/s

Environmental

Ambient operating temperature	-40°C to 50°C (-40°F to 122°F)
Operating humidity	0% ~ 90%

PC requirement

CPU	Intel Core 2 Duo E6400 2.13GHz or above
OS	Windows 2000, Windows XP, Windows Vista, Windows 7, Windows 8
RAM	2GB or above, Independent Display Card
Web browser	Microsoft® Internet Explorer® 6.0 and later

Mechanical

Dimensions (H x D)	275mm x 192mm
Weight	2750g approx.

Heater & Fan

Heater activation	On: 15°C, Off: 25°C
Fan activation	On: 35°C, Off: 25°C

Main functions

Control function	Pan and Tilt / Zoom and Focus / Iris and ICR / 256 Preset Position / Home Position
Digital zoom ratio	16X
Zoom speed	0 ~ 7 Selectable [Fast : Approx. 6.0 Second (Tele to Wide) in Manual Mode]
Focus speed	0 ~ 7 Selectable [Fast : Approx. 6.0 Second (Far to Near) in Manual Mode]
Focus	Auto (Continue / Interval / Zoom Trigger / One Push), Manual Focus
Iris	ALC (Adjustable Output Target Level) / Manual

Input / output

Alarm input / output	4 Input (TTL 5Vdc) , 2 Output (0.5A 120Vac, 1A 24Vac)
Video output	CVBS 1.0 Vp-p / 75 Ω BNC

Video streaming

Video compression	H.264 Main and High Profile, Motion JPEG
Streaming	RTP/HTTP, RTP/TCP, RTP/UDP, Multicast
Bitrate	128Kbps to 12Mbps Frame rate and bit rate controllable on-the-fly VBR / CBR / GOP supported

Video resolution (H x V)

1080p HD	1920 x 1080
720p HD	1280 x 720
D1	720 x 480
CIF	352 x 240
Frame rate	Dual-stream mode, H.264 : up to 60 FPS @ 1920 x 1080, Motion JPEG : up to 30 FPS @ 720 x 480 2WDR mode, H.264 : up to 30 FPS @ 1920 x 1080 , Motion JPEG : up to 30 FPS @ 720 x 480

Video functions

Day/Night (IR-cut filter)	Colour (Day), Monochrome (Night), Auto
Scanning system	Progressive scan
White balance	ATW/Indoor(3200K)/Outdoor(5800K)/Manual(1800K ~10500K)
Shutter	Auto / manual(1/1 to 1/100,000)
Adjustable settings	Sharpness
Exposure mode	Auto / Manual
Back light compensation	Off / BLC / WDR
Digital noise reduction	Off / On (2D, 3D)
Dynamic privacy zone mask	Off / On (up to 16 areas)
Auto mode	Off / AUTO / SEQ / TOUR
Web PTZ control	Pan, tilt, zoom-in / zoom-out, absolute position, and video-click-n-move
Schedule setting	Off / Auto Mode / Preset position
Digital image stabilization	Off / On
Auto gain control	0 ~ 30dB
Other functions	Defog, Mirror effect

Integration

Mobile application	Integrated to LILIN mobile app (LILINViewer) iPhone, iPad, Android support
Video management	ONVIF Profile S LILIN CMX3.6 / NAV 1.0 Third party VMS through LILIN HTTP API
SD card recording	Support Micro SD/SDHC/SDXC card for circular recording (card is not included)
Firmware	Firmware upgrade via HTTP Firmware available to download at meritlilin.com
Alarm functions	Alarm / motion / audio detection triggering recording into SD card Image upload over HTTP, FTP, and E-mail by audio / motion detection

Network

Ethernet	10/100/1000Mbps Base-T, RJ-45
Connectivity	ONVIF Profile S
Users	8 simultaneous users
PTZ preset scheduling	Yes, via Web interface
OSD	Text overlay for date, time, camera name, and PTZ position
CPU, Memory	Embedded SoC, 1.2GHz Dual ARM Cortex-A9 & 600MHz ARM11, 1GB DDR3, 256MB flash memory
Video display	LILIN Universal ActiveX & LILIN Java Applet
OS	Embedded Linux 3.8.0
2-way audio	G.711 / PCM
Protocols	IPv4, IPv6, TCP, UDP, HTTP, SMTP, NTP, DDNS, UPnP, FTP, ARP, DHCP, PPPoE, DNS, RTSP, RTCP, Telnet, ICMP, IGMP, ONVIF Profile S, SNMP, SIP

Network security

User accounts	10 users accounts available
Access	Multiple user access levels with password protection
Encryption	Base 64 HTTP encryption