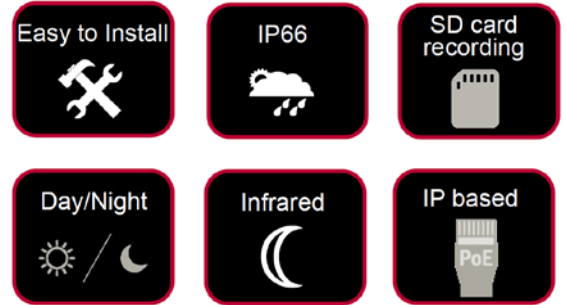


MR8442X

Outdoor HD 30M-Range IR Varifocal IP Camera



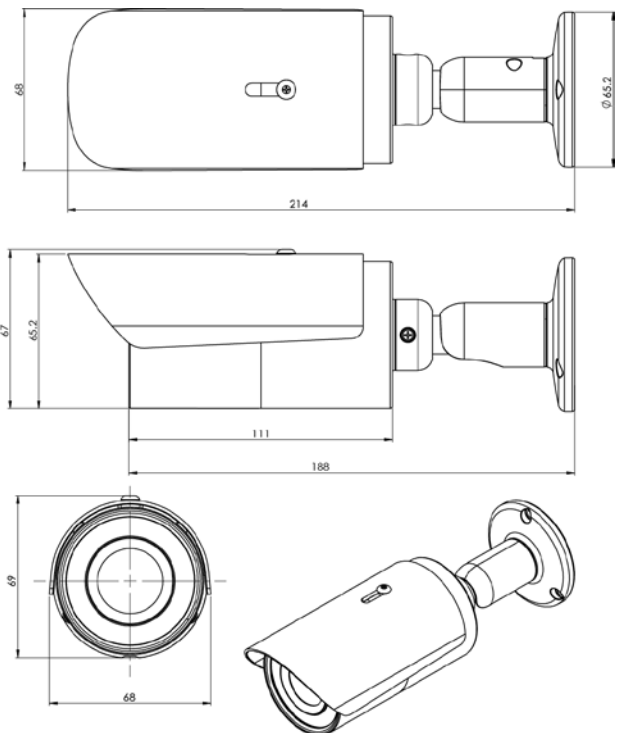
The MR8442X Outdoor HD 30M-Range IR Varifocal IP Camera in the M series features 4MP at 20 frames per second, built-in Sense up+ technology to deliver stunning video in low-light conditions. Utilizing intelligent image signal processing, 2D WDR function, AGC control, and 3D Noise Reduction, the combination successfully delivers ultimate low-light images without motion blur. The IP66-rated housing is designed to prevent the camera from being damaged by rain and dust and ensures operation under various demanding weather conditions. The support of PoE, privacy mask, and White balance, as well as the minimum illumination 0.15 Lux at F1.4 can certainly satisfy multiple applications.



- ▶ Outdoor Bullet Camera
- ▶ IR cut filter for day/night operations
- ▶ IP66 rain and dust resistant
- ▶ 30-meter infrared night vision
- ▶ 4MP resolution @ 20 FPS

Dimensions (unit in mm):

68(W) x 69(H) x 214(D) approx. (without bracket)



High Dynamic Range

A High Dynamic Range image is produced by interleaving two shutter line to accommodate details of both the darkest and brightest areas. HDR can extend image visibility under high contrast lighting scenes and improve image quality.



Back Light Compensation

Back Light Compensation (BLC) adjusts the exposure of the entire image to properly expose the subject of interest. Whether the subject is moving toward left, right, up, down, or any direction on the screen, BLC will provide the perfect exposure for the subject in front of a strong back light.



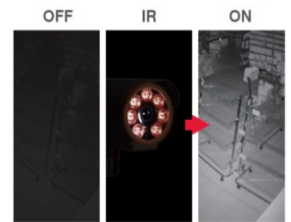
Sense Up+

Sense up+ is able to deliver outstanding video outputs in poor light conditions without experiencing motion blur. With this technology, you can see video more clearly during nighttime when sufficient lighting is lacking.



Built-in IR Illumination

The camera includes infrared (IR) LEDs for IR illumination to provide night vision up to 30 meters.



Video Security App

LILINViewer is available for both Android and iOS devices. This application provides security alarm push notification, real-time live viewing, and remote video playback.



Day and Night Operations via Removal of the IR-cut filter

MR8442X is equipped with a mechanical IR cut filter to increase IR sensitivity and improve nighttime images. The adjustable filter allows day and night operations even in the low lux conditions, and can provide outstanding vision.



ONVIF-compliant

Open Network Video Interface Forum (ONVIF) is a standard for physical IP based security products. MR8442X complies with ONVIF Profile S.



Motion Detection

If properly set up, any motion in front of the camera will be detected and saved as an event. Motion in the selected area will provoke an alert



Tamper Detection

This camera automatically detects tampering or failure. Also, an action can be taken when the lens or field of view is partially or completely blocked.



Alarm Detection

Alarm Detection is designed to provide the electronic detection of intruders



SD Cards in Sync with NAV Software

The camera is designed with Micro SD/SDHC/SDXC card slots to provide video playback and recording. You can even synchronize an SD card with LILIN VMS (Video Management Software) – Navigator (NAV).



3D Noise Reduction

This function removes noise occurred in a video. Suppressing noise in low light conditions will retain details in a video and optimize the quality.



Outdoor HD 30M-Range IR Varifocal Lens IP Camera (4MP @ 20 FPS)

Video performance

Model#	MR8442X
Min. Illumination	0.15 Lux at F1.4 (Color) 0.05 Lux at F1.4 (B/W)
With Infrared LED	0 Lux

Power

Power consumption	DC12V, 8.4W / PoE, 10W
PoE	IEEE 802.3af
Power supply	DC12V ±10% Power over Ethernet (IEEE 802.3af compliant)

Sensor

Sensor type	1/3" CMOS image sensor
Total sensor pixels	2688(H) x 1520 (V) = 4,085,760 pixels

Certifications

CE	Yes
FCC	Yes
IP Rating	IP66 waterproof
Vandal rating	IK10

PC requirements

CPU	Intel i3 or above
OS	Windows 7, Windows 8, Windows 10
RAM	4GB or above, dedicated graphics card

Mechanical

Dimensions	68mm(W) x 69mm(H) x 214mm(D) approx.
Weight	490g approx.
Window	Ø58mm Heat Resistant Glass

Video streaming

Video compression	Smart H.264/ H.264 High/Main Profile, Motion JPEG
Streaming	RTP/HTTP, RTP/TCP, RTP/UDP, Multicast 3 configurable streams in H.264 and Motion JPEG, configurable frame rate, bandwidth Codec and GOP
Bitrate	128Kbps – 12Mbps Frame rate and bit rate controllable on-the-fly VBR / CBR / Fixed bitrate mode

Network security

User accounts	10 user accounts available
Access	Multiple user access levels with password protection
Encryption	Base 64 HTTP encryption / Digest auth.
IP address filtering	Yes
RTSP Authentication	On / Off

Integration

Mobile application	Supports LILIN mobile app (LILIN Viewer) in both iOS and Android versions
Video management	ONVIF Profile S LILIN Navigator Enterprise 1.0 and 2.0 Third party VMS through LILIN HTTP API
SD card recording	Support Micro SD/SDHC/SDXC (up to 128GB) card for circular recording (card is not included)
Web browser	Microsoft® Internet Explorer® 9.0 and later
Firmware	Firmware upgrade via HTTP, and IP Scan
Alarm event triggers	Motion/Tamper/Network lost detection
Alarm event actions	SMTP (SSL & TLS), FTP, HTTP post, SD card, SAMBA
Intelligent Video Surveillance	Advanced motion detection, Tripwire detection, Semaphore + Tripwire detection, Object counting, tamper detection

Environmental

Operating temperature	-40°C – +50°C (-40°F – 122°F)
-----------------------	-------------------------------

Lens / Night vision (infrared LED)

Focal length	2.8 – 12mm	
Iris	F1.4	
Angle of view	H	95°– 33°
	V	51°– 18°
	D	109°– 38°
Distance	30m	
Peak wavelength	850nm	
Beam spread	60°	

Video resolutions (H x V)

4MP	2688 x 1520
1080p	1920 x 1080
1280x960	1280 x 960
720p	1280 x 720
D1	720 x 480, 720 x 576
VGA	640 x 480
CIF	352 X 240
Maximum frame rate	H.264: up to 20 FPS @ 2688 x 1520, up to 30 FPS @ 1920 x1080 MJPEG: up to 20 FPS @ 2688 x 1520, up to 30 FPS @ 1920 x1080
Alarm weighted mode	Yes

Video functions

Day/Night (IR-cut filter)	Color (Day), Monochrome (Night), Auto, Schedule
Scanning system	Progressive scan
Adjustable picture setting	Contrast, Brightness, Saturation
White balance	Auto / Tungsten / Indoor / Fluorescents1 / Fluorescents2 / Outdoor1 / Outdoor2 / Customized adjustable red gain and blue gain function
Shutter	1/30(1/25) s to 1/20000s
Back light compensation	On / Off
2D WDR	Off / Auto / x2 / x3 / x4 (in normal mode)
High dynamic range	Up to 100dB (in HDR mode, 2 shutter line interleave)
3D noise reduction	Off / 1 to 32 selectable
Privacy masking	Off / On (4 independent areas)
Sense Up	Off / 1 frame / 2 frames
Sense Up+	Yes
Auto gain control	36 dB variable gain
D/N quality setting	Yes
Other functions	Sharpness, Hue, Image flip, Image mirror
Lens Distortion Correction (LDC)	Yes

Network

Ethernet	10Base-T / 100Base-TX, RJ-45
Connectivity	ONVIF Profile S / LILIN API (CGI)
Users	10 simultaneous users
OSD	Displays date, time, and camera name
CPU, Memory	Embedded SoC ARM Cortex-A9, 600MHz, 256MB DDR3, 32MB flash memory
Video display+	LILIN Universal ActiveX, LILIN Java Applet & HTML5
OS	Embedded Linux 3.10
Protocols	IPv4, IPv6, TCP, UDP, HTTP, HTTPS, SMTP, MQTT, QoS, SNMP, SNMP Trap, NTP, DDNS, UPnP, FTP, ARP, DHCP, PPPoE, DNS, RTSP, RTCP, Telnet, ICMP, IGMP, ONVIF Profile S, SDDP, Bonjour
Languages	English, Traditional Chinese, Simplified Chinese, Spanish, Italian, Turkish, Russian, Korean, French, Arabic, Hungarian, Japanese
Multi IP address	Yes