

M series | IP dome

# MR652B

## Day & Night 2MP HD Fixed Dome IR IP Camera

[www.meritlilin.com](http://www.meritlilin.com)



- ▶ Full HD 2.0 megapixel CMOS image sensor
- ▶ 1080P True H.264 AVC High Profile video compression
- ▶ H.264 and Motion JPEG multi-profile video streaming
- ▶ Smart H.264 supported
- ▶ 3D noise reduction (MCTF)
- ▶ 2D WDR function
- ▶ Digital PTZ supported
- ▶ Tampering / Motion detection alarm function
- ▶ Day & Night (IR cut removable)
- ▶ ONVIF Profile S supported



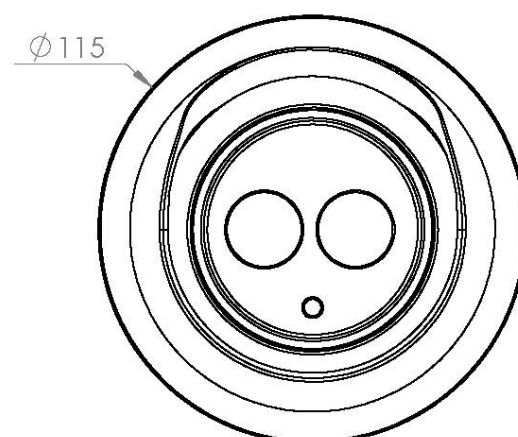
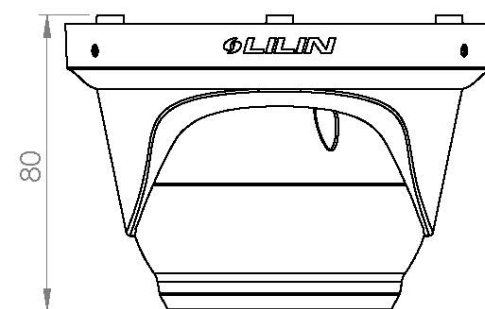
### Dimensions:

Ø115mm x 91mm

MR652B is a day & night 2MP Dome IR IP camera designed for a range of environments demanding high security such as critical infrastructure, factory, retail, transportation, residential and hotel.

It features a full HD 2.0 megapixel CMOS image sensor. The camera has built-in IR-cut filter which allows clearer images at day and night operations even in the low lux condition. The high efficiency IR LED radiant distance can extend up to 30m.

Supported with privacy mask, 3D noise reduction, 2D WDR function, and HDR function up to 100dB, MR652B ensures to deliver a clear and detailed image to the users.



## Alarm Detection

Alarm Detection is designed to provide the electronic detection of intruders



## Video Security App

Available on Android and iOS – **LILINViewer** app provides security alarm push notification, real-time live viewing, and remote video playback



## Built-in IR Illumination

MR652B IP camera with infrared (IR) illumination where IR LEDs are built-in. Built-in with IR LED, the camera provides night up to 30 meters



## Wind and Rain Standards

Meet international IP66 standards for dust and moisture resistant allowing you to install cameras in environments subject to wind and rain



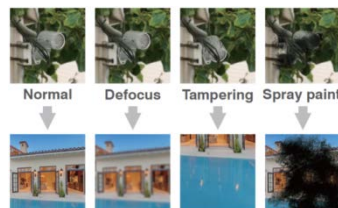
## 3D Noise Reduction

Remove noise from a signal. Suppressing noise in an image in low light conditions and able to retain quality videos at the same time



## Tamper Detection

Automatically detects camera sabotage or failure. Detects any attempts to tamper with the camera – partially or completely blocking its lens or field of view



## ONVIF-compliant

Open Network Video Interface Forum (ONVIF) is a standard for physical IP based security products. MR652B camera is ONVIF Profile S conformant



## Day and Night Operations via Removal of the IR-cut filter

MR652B camera was designed using a mechanical IR cut filter for increased IR sensitivity resulting in improved night time images. The removable IR-cut filter allows day and night operations even in the low lux condition providing outstanding vision



## Sense Up+

Deliver outstanding video outputs in poor light conditions without experiencing motion blur. You can see video clearly even during night time without sufficient lighting support



## Face Detection

Detect motion and capture the event. Motion in the selected area will provoke an alert.



## Wide Dynamic Range (WDR)

Wide Dynamic Range (WDR) displays details of both the brightest and darkest areas. WDR can extend image visibility under high contrast lighting scenes and improve image quality



## Privacy Masking

Privacy Masking is a feature used to protect personal privacy by concealing private areas in the camera's field of view. Doorways and house windows for example are not subject to surveillance



## Day & Night 2MP HD Fixed Dome IR IP Camera

### Video performance

Model#	MR652B
Min. illumination	Color : 0.15 Lux at F2.0 ; B/W : 0.03 Lux at F2.0
With Infrared LED	0 Lux
2D WDR	Off / Auto / x2 / x3 / x4 (by normal mode)

### Power

Power consumption	DC12V, 7W / PoE, 8W
Power supply	DC12V ±10% / PoE (IEEE 802.3af compliant)

### Sensor

Image sensor	1/2.7" CMOS image sensor
Total sensor pixels	1920 (H) x 1080 (V) = 2,073,600 (pixelS)

### Certifications

IP rating	IP66
CE	Yes
FCC	Yes, EMI Class B

### Lens

Model#	MR652B
Focal length	4mm
Iris	F2.0
Angle of View	H 94° V 50° D 102°
Peak wavelength	850nm
Infrared LED angle	60°
IR radiant distance	30M

### Environmental

Operating temperature	-40°C – +50°C (-40°F – 122°F)
-----------------------	-------------------------------

### PC requirement

CPU requirement	Intel i3 or above
OS requirement	Windows 7, Windows 8, Windows 10
RAM requirement	4GB or above, Dedicated Graphics Card

### Mechanical

Dimensions	Φ115 x 91mm
Weight	450g

### Network security

User accounts	10 user accounts available
Access	Multiple user access levels with password protection
Encryption	Base64 HTTP encryption, HTTPS encryption, Digest HTTP authentication, RTSP Authentication
IP address filter	IP address filter, MAC address filter

### Video streaming

Video compression	H.264 Main and High Profile, Motion JPEG
Video streaming	RTP/HTTP, RTP/TCP, RTP/UDP, Multicast 4 configurable streams in H.264 and Motion JPEG, configurable frame rate and bandwidth
Video bitrate	128Kbps – 12Mbps Frame rate and bit rate controllable on-the-fly VBR / CBR / GOP supported, Fixed bitrate, Smart H.264

### Video resolution (H x V)

Resolution	1920x1080 (1080P), 1280x960, 1280x720 (720P), 720x480 (D1), 720x576 (D1), 640x480, 352x240 (CIF)
Frame rates	H.264 / Motion JPEG: up to 30 fps @ 1920x1080

### Video functions

IR cut filter	Auto / Schedule / Day (Color) / Night (Mono)
Scanning system	Progressive scan
White balance	Auto / Tungsten / Indoor / Fluorescents1 / Fluorescents2 / Outdoor1 / Custom
Shutter time	1/30(1/25)s – 1/30000s
3D noise reduction	Off / 1 – 32 Selectable
S/N Ratio	More than 50dB (AGC off)
Privacy masking	Off / On (4 zones)
Sense Up	Off / 1 Frame / 2 Frames
Sense Up+	Yes
Auto gain control	42 dB Variable Gain
Other functions	Brightness, Contrast, Hue, Saturation, Sharpness, Mirror, Flip, Lens Distortion Correction

### Integration

Mobile phone	Integrated to LILIN mobile app (LILIN Viewer), iPhone, iPad, Android support
Video management	ONVIF Profile S, LILIN Navigator Enterprise 1.0 and 2.0 support, Third party VMS through LILIN HTTP API
Web browser	Microsoft® Internet Explorer® 11, Google Chrome, Mozilla Firefox
Firmware	Firmware update via HTTP and IP Scan Firmware available at web site
Alarm event triggers	Motion / Tamper / Network detection
Alarm event actions	FTP, SMTP, SD card, SAMBA, HTTP POST, SNMP Trap

### Network

Network Interface	10Base-T / 100Base-TX, RJ-45
Users	10 simultaneous users
ePTZ & digital zoom	Yes, ROI is supported
OSD	Text overlay for date, time, and camera name
CPU	Embedded SoC ARM Cortex-A9, 600MHz, 256MB DDR3, 256MB flash memory
Video display	LILIN Universal ActiveX & HTML5
OS	Embedded Linux 3.10
Languages	English, Traditional Chinese, Simplified Chinese, Spanish, Italian, Turkish, Russian, Korean, French, Arabic, Hungarian, Japanese
Protocols	IPv4 · IPv6 · TCP · UDP · HTTP · SMTP · NTP · DDNS · UPnP · FTP · ARP · DHCP · PPPoE · DNS · RTSP · RTCP · Telnet · ICMP · IGMP · ONVIF Profile S · SNMP · Bonjour
Multi IP address	Yes