

M series | IP dome

MR6522/ MR6522E2

Day & Night 2MP HD Fixed Dome IR IP Camera

www.meritlilin.com



- ▶ Full HD 2.0 megapixel CMOS image sensor
- ▶ 1080P True H.264 AVC High Profile video compression
- ▶ H.264 and Motion JPEG multi-profile video streaming
- ▶ Smart H.264 supported
- ▶ 3D noise reduction (MCTF)
- ▶ 2D WDR function
- ▶ HDR function up to 100dB
- ▶ Digital PTZ supported
- ▶ IVS supported
- ▶ Tampering / Motion detection alarm function
- ▶ High efficiency IR LED, radiant distance up to 30m
- ▶ Day & Night (IR cut removable)
- ▶ ONVIF Profile S supported



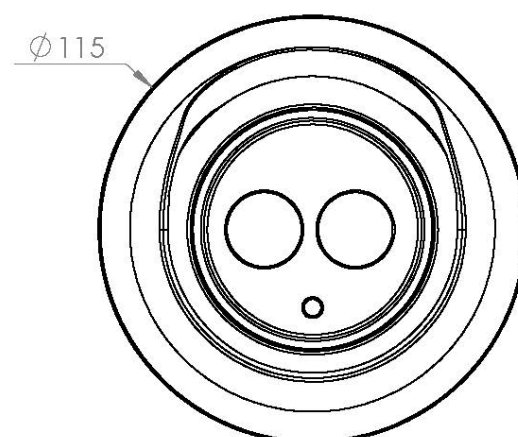
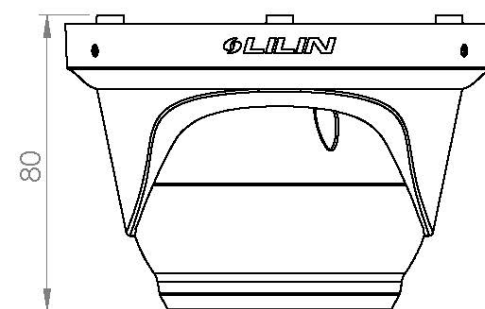
Dimensions:

Ø115mm x 91mm

MR6522 is a day & night 2MP Dome IR IP camera designed for a range of environments demanding high security such as critical infrastructure, factory, retail, transportation, residential and hotel.

It features a full HD 2.0 megapixel CMOS image sensor. The camera has built-in IR-cut filter which allows clearer images at day and night operations even in the low lux condition. The high efficiency IR LED radiant distance can extend up to 30m.

Supported with privacy mask, 3D noise reduction, 2D WDR function, and HDR function up to 100dB, MR6522 ensures to deliver a clear and detailed image to the users.



Alarm Detection

Alarm Detection is designed to provide the electronic detection of intruders



Video Security App

Available on Android and iOS – **LILINViewer** app provides security alarm push notification, real-time live viewing, and remote video playback



Built-in IR Illumination

MR6522 IP camera with infrared (IR) illumination where IR LEDs are built-in. Built-in with IR LED, the camera provides night up to 30 meters



Wind and Rain Standards

Meet international IP66 standards for dust and moisture resistant allowing you to install cameras in environments subject to wind and rain



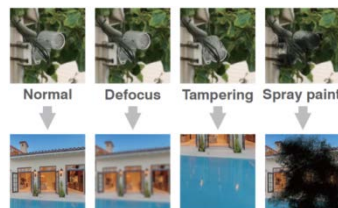
3D Noise Reduction

Remove noise from a signal. Suppressing noise in an image in low light conditions and able to retain quality videos at the same time



Tamper Detection

Automatically detects camera sabotage or failure. Detects any attempts to tamper with the camera – partially or completely blocking its lens or field of view



ONVIF-compliant

Open Network Video Interface Forum (ONVIF) is a standard for physical IP based security products. MR6522 camera is ONVIF Profile S conformant



Day and Night Operations via Removal of the IR-cut filter

MR6522 camera was designed using a mechanical IR cut filter for increased IR sensitivity resulting in improved night time images. The removable IR-cut filter allows day and night operations even in the low lux condition providing outstanding vision



Sense Up+

Deliver outstanding video outputs in poor light conditions without experiencing motion blur. You can see video clearly even during night time without sufficient lighting support



Face Detection

Detect motion and capture the event. Motion in the selected area will provoke an alert.



Wide Dynamic Range (WDR)

Wide Dynamic Range (WDR) displays details of both the brightest and darkest areas. WDR can extend image visibility under high contrast lighting scenes and improve image quality



Privacy Masking

Privacy Masking is a feature used to protect personal privacy by concealing private areas in the camera's field of view. Doorways and house windows for example are not subject to surveillance



Day & Night 2MP HD Fixed Dome IR IP Camera

Video performance

Model#	MR6522	MR6522E2
Min. illumination	Color : 0.02 Lux at F2.0 ; B/W : 0.005 Lux at F2.0	Color : 0.01 Lux at F1.8 ; B/W : 0.003 Lux at F1.8
With Infrared LED	0 Lux	
2D WDR	Off / Auto / x2 / x3 / x4 (by normal mode)	

Power

Power consumption	DC12V, 5.7W / PoE, 7.5W	
Power supply	DC12V ±10% / PoE (IEEE 802.3af compliant)	

Sensor

Image sensor	1/2.8" CMOS image sensor	
Total sensor pixels	1945 (H) x 1097 (V) = 2,133,665 (pixels)	

Certifications

IP rating	IP66	
CE	Yes	
FCC	Yes EMI Class B	

Lens

Model#	MR6522	MR6522E2	
Focal length	4mm	2.8mm	
Iris	F2.0	F1.8	
Angle of View	H	84°	109°
	V	43.3°	60.2°
	D	99.4°	126°
Peak wavelength	850nm		
Infrared LED angle	60°, 90°		
IR radiant distance	30M		

Environmental

Operating temperature	-40°C – +50°C (-40°F – 122°F)	
-----------------------	-------------------------------	--

PC requirement

CPU requirement	Intel i3 or above	
OS requirement	Windows 7, Windows 8, Windows 10	
RAM requirement	4GB or above, Dedicated Graphics Card	

Mechanical

Dimensions	Φ115 x 91mm	
Weight	420g	

Network security

User accounts	10 user accounts available	
Access	Multiple user access levels with password protection	
Encryption	Base64 HTTP encryption, HTTPS encryption, Digest HTTP authentication, RTSP Authentication	
IP address filter	IP address filter, MAC address filter	

Video streaming

Video compression	H.264 Main and High Profile, Motion JPEG	
Video streaming	RTP/HTTP, RTP/TCP, RTP/UDP, Multicast 4 configurable streams in H.264 and Motion JPEG, configurable frame rate and bandwidth	
Video bitrate	128Kbps – 12Mbps Frame rate and bit rate controllable on-the-fly VBR / CBR / GOP supported, Fixed bitrate, Smart H.264	

Video resolution (H x V)

1080p HD	1920x1080	
720p HD	1280x960, 1280x720	
D1	720x480, 720x576	
CIF	640x480, 352x240	
Frame rates	H.264 / Motion JPEG: up to 30 fps @ 1920x1080	

Video functions

IR cut filter	Auto / Schedule / Day (Color) / Night (Mono)	
Scanning system	Progressive scan	
White balance	Auto / Tungsten / Indoor / Fluorescents1 / Fluorescents2 / Outdoor1 / Custom	
Shutter time	1/30(1/25)s – 1/30000s	
3D noise reduction	Off / 1 – 32 Selectable	
S/N Ratio	More than 50dB (AGC off)	
High dynamic range	Up to 100dB (by HDR mode, 2 shutter lines interleave)	
Privacy masking	Off / On (4 zones)	
Sense Up	Off / 1 Frame / 2 Frames	
Sense Up+	Yes	
Auto gain control	66 dB Variable Gain	
Other functions	Brightness, Contrast, Hue, Saturation, Sharpness, Mirror, Flip, Lens Distortion Correction	

Integration

Mobile phone	Integrated to LILIN mobile app (LILIN Viewer), iPhone, iPad, Android support	
IVS	Advanced motion detection, Tripwire detection, Semaphore + Tripwire detection, Object counting	
Video management	ONVIF Profile S, LILIN Navigator Enterprise 1.0 and 2.0 support, Third party VMS through LILIN HTTP API	
Web browser	Microsoft® Internet Explorer® 11, Google Chrome, Mozilla Firefox	
Firmware	Firmware update via HTTP and IP Scan Firmware available at web site	
Alarm event triggers	Motion / Tamper / Network detection	
Alarm event actions	FTP, SMTP, SD card, SAMBA, HTTP POST, SNMP Trap	

Network

Network Interface	10Base-T / 100Base-TX, RJ-45	
Users	10 simultaneous users	
ePTZ & digital zoom	Yes, ROI is supported	
OSD	Text overlay for date, time, and camera name	
CPU	Embedded SoC ARM Cortex-A9, 600MHz, 256MB DDR3, 256MB flash memory	
Video display	LILIN Universal ActiveX & HTML5	
OS	Embedded Linux 3.10	
Languages	English, Traditional Chinese, Simplified Chinese, Spanish, Italian, Turkish, Russian, Korean, French, Arabic, Hungarian, Japanese	
Protocols	IPv4, IPv6, TCP, UDP, HTTP, HTTPS, SMTP, SIP, MQTT, QoS, SNMP, SNMP Trap, NTP, DDNS, UPnP, FTP, ARP, DHCP, PPPoE, DNS, RTSP, RTCP, Telnet, ICMP, IGMP, ONVIF Profile S, SDDP, Bonjour	
Multi IP address	Yes	