



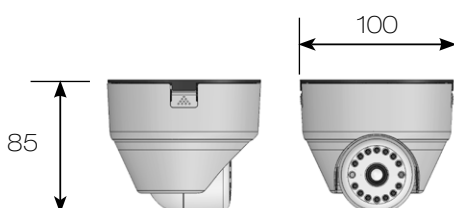
Fixed dome LR2522 in the L series is featuring built-in Sense up+ technology to deliver stunning video in low-light conditions. Utilizing intelligent image signal processing, 2D WDR function, AGC control, and 3D Noise Reduction, the combination successfully delivers the ultimate low-light image without motion blur. Support with PoE, privacy mask, White balance, and minimum illumination 0.5 Lux at F1.8 / 0.4 Lux at F1.6 Low Light Mode.

FEATURES :

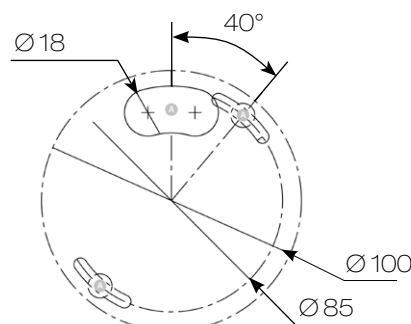
- Full HD 2 megapixel CMOS image sensor
- True H.264 AVC/MPEG-4 part 10
- H.264 and Motion JPEG triple video streaming
- 3D Noise Reduction (MCTF)
- 2D WDR function
- Digital zoom supported
- Audio / motion / alarm detection Alarm function
- Built-in highly sensitive microphone
- High efficiency IR LED, Radiant distance up to 10m
- Day & Night (IR cut removable)
- 2-way audio supported
- Digital I/O : 1 in, 1 out
- ONVIF supported

DIMENSIONS : (Unit : mm)

Ø100 x 85



INSTALLATION HOLE SITE DIAGRAM :



SPECIFICATION :

Name		Day & Night 1080P HD Dome IR IP Camera			
Model		LR2522E2	LR2522E4	LR2522E6	
Lens	Focal length	2.8 mm	4 mm	6 mm	
	Angle of view	Iris	F1.8	F1.6	
		H	84°	62.2°	43.6°
		V	52°	37.4°	25.4°
	D	98°	69.2°	49.4°	
Pick up element		1/2.5" CMOS image sensor			
Effective pixels		1920 (H) x 1080 (V) = 2,073,600 (pixel)			
Chip size		5.70mm (H) x 4.28mm (V)			
Scanning system		Progressive scan			
Infrared cut filter		Auto / Schedule / Day (Color) / Night (Mono)			
Min. illumination		0.5 Lux at F1.8 (Low Light Mode) 0 Lux with IR LED ON	0.4 Lux at F1.6 (Low Light Mode) 0 Lux with IR LED ON	0.5 Lux at F1.8 (Low Light Mode) 0 Lux with IR LED ON	
White balance		Auto / Tungsten / Indoor / Fluorescents1 / Fluorescents2 / Outdoor1 / Outdoor2			
Back light compensation		Off / On			
Electrical shutter		1/30s - 1/8000s			
Sense up		Off / 1 Frame / 2 Frames / 3 Frames / 7 Frames			
Sense up +		Yes			
Auto gain control		36 dB Variable Gain			
3D Noise Reduction		Off / 1 - 32 Selectable			
2D WDR		Off / On			
Privacy masking		Off / On (4 zones)			
Image effects		Brightness, Contrast, Hue, Saturation, Sharpness, Mirror, Flip			
Audio in / output		Mono, 1.4 Vp-p , 50 KΩ , Terminal connector			
Infrared led	Peak wavelength	850nm			
	Beam spread	30°			
	Radiant distance	10M			
Operating temperature		-25°C - +50°C (-13°F - 122°F)			
Dimension		Ø 100 x 85mm			
Weight		280g			
Power supply		DC12V ±10% / PoE (IEEE 802.3af compliant)			
Power consumption		DC12V, 7.5W / PoE, 8.5W			

Network	
Video compression	H.264 , Motion JPEG
Resolution	1080P(1920 x 1080), 720P(1280 x 720), D1(720 x 480), CIF(352 x 240)
Maximum frame rate	H.264 : up to 15 FPS @ 1920 x 1080 , 30 FPS @ 1280 x 720 , 30 FPS @ 720 x 480 Motion JPEG : up to 15 FPS @ 1920 x 1080 , 30 FPS @ 720 x 480 , 30 FPS @ 352 x 240
Video streaming protocol	RTP/HTTP, RTP/TCP, RTP/UDP, Multicast
Video bitrate	128Kbps - 5Mbps
	Frame rate and bit rate controllable on-the-fly VBR / CBR / GOP supported
Security	Base64 HTTP encryption
	Multiple user access levels with password protection 10 user accounts available
Users	8 simultaneous users
Digital zoom	Yes
OSD	Text overlay for date, time, and camera name
Alarm functions	Alarm / motion / alarm detection triggering recording into SD card Image upload over FTP and E-mail by audio / motion detection
CPU, memory	Embedded SoC ARM11, 528MHz, 256MB DDR2, 256MB flash memory
Maintenance	Firmware update via HTTP
	Firmware available at web site
Network Interface	10Mbps / 100Mbps Base-T, RJ-45
PC requirement	OS : Windows 2000, Windows XP, Windows Vista, Windows 7, Windows 8
	Browser : Windows Internet Explorer 6.0 or above
	CPU : Intel Pentium 4 1.8GHz or above
	RAM : 1GB or above, Independent Display Card
Network protocols	IP, TCP, UDP, HTTP, SMTP, NTP, DDNS, UPnP, FTP, ARP, DHCP, PPPoE, DNS, RTSP, RTCP, Telnet, ICMP, IGMP, ONVIF Profile S, SNMP
Mobile phone and PDA	iPhone, iPad, and Android support
System Integration	ONVIF & LILIN HTTP API
Central management system	CMX 3.6 / NAV 1.0 support
Video display	LILIN Universal ActiveX & LILIN Java Applet
OS	Embedded Linux 2.6.32
Two-way audio	G.711 / PCM
SD card recording	Support Micro SD/SDHC card for circular recording (card is not included)
Alarm input / output	Digital 1 input (TTL, +3 - 5VDC) / 1 Output (MOS Relay contact N.O., Load max. 40VDC/300mA)

