





# INFRARED ILLUMINATOR

IM05108/05308/05608

INSTRUCTION MANUAL

# IMPORTANT SAFEGUARDS

	<p><b>CAUTION</b></p> <p><b>RISK OF ELECTRIC SHOCK DO NOT OPEN</b></p>	
<p><b>CAUTION :</b> TO REDUCE THE RISK OF ELECTRIC SHOCK, DO NOT REMOVE COVER (OR BACK) NO USER SERVICEABLE PARTS INSIDE. REFER SERVICING TO QUALIFIED SERVICE PERSONNEL.</p>		

## GRAPHIC SYMBOL EXPLANATION

The lightning flash with arrowhead symbol, within an equilateral triangle, is intended to alert the user to the presence of uninsulated "dangerous voltage" within the product's enclosure that may be of sufficient magnitude to constitute a risk of electric shock to persons.



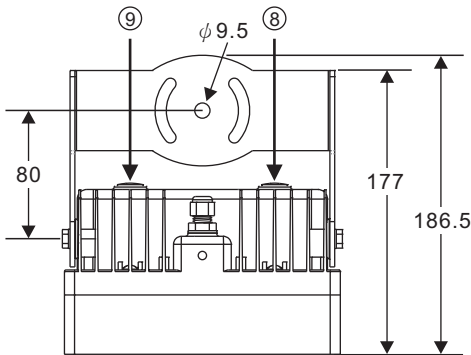
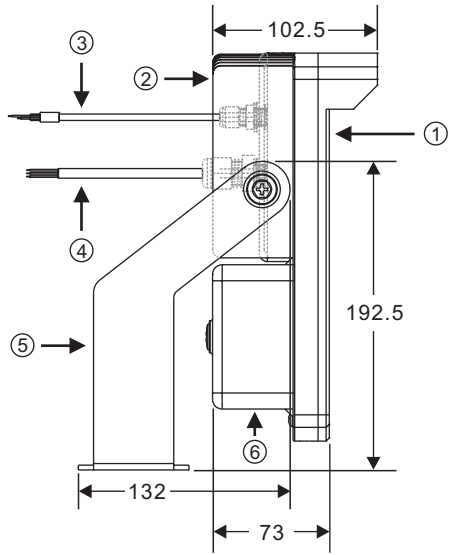
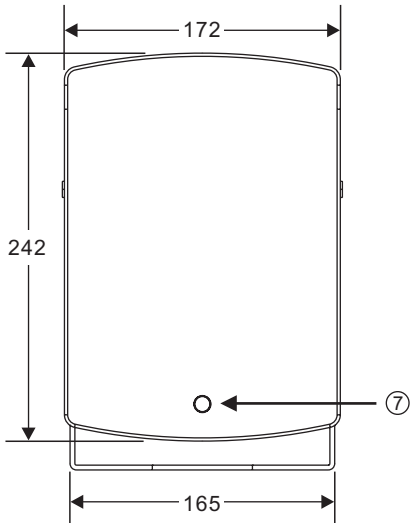
The exclamation point within an equilateral triangle is intended to alert the user to the presence of important operating and maintenance (servicing) instructions in the literature accompanying the unit.



<p><b>CAUTION</b></p> <p><b>RISK OF EXPLOSION IF BATTERY IS REPLACED BY AN INCORRECT TYPE.</b></p> <p><b>DISPOSE OF USED BATTERIES ACCORDING TO THE INSTRUCTIONS</b></p>
--



**PART DESCRIPTION & DIMENSION**

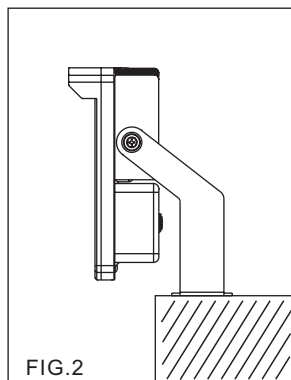
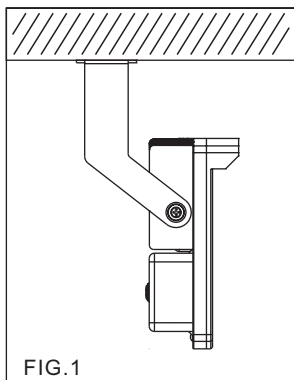


Unit : mm

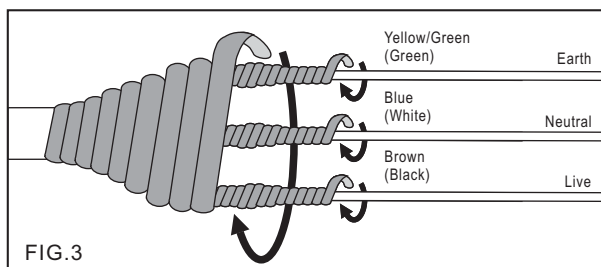
- ① FRONT FASCIA
- ② BOTTOM CHASSIS
- ③ DAY/NIGHT OUTPUT
- ④ POWER CABLE
- ⑤ BRACKET
- ⑥ REAR COVER
- ⑦ LIGHT SENSOR
- ⑧ SEALING CAP (LIGHT SENSOR SENSITIVITY ADJUST)
- ⑨ SEALING CAP (IR POWER ADJUST)

## INSTALLATION

1. Attach the illuminator bracket to the pan and tilt unit, ceiling mount (FIG.1) or wall mount (FIG.2).



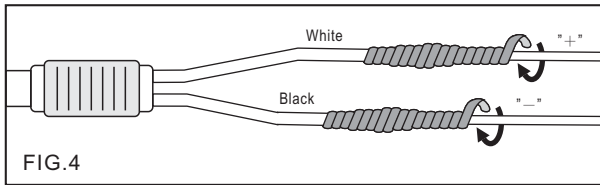
2. Connect the power cable to AC100~240V (FIG.3).



### Notice

**If used power cable is like two wire combine, please put them separately on "Live" and "Neutral".**

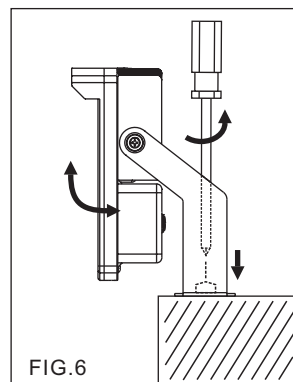
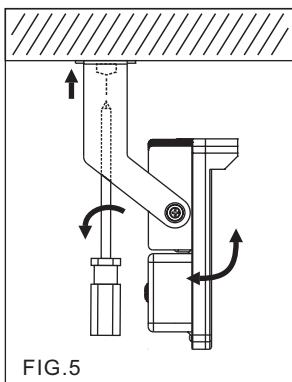
3. If want to adopt ICR (IR Cut Filter Removable) of Day & Night camera to reach synchronization action with illuminator, please connect the Day/Night output cable to input of the camera. The White wire connect to "+", and Black wire connect to "-" (GND). IR illuminator will be triggered "Off" with 5V output voltage and IR illuminator will be triggered "On" with 0V output voltage.



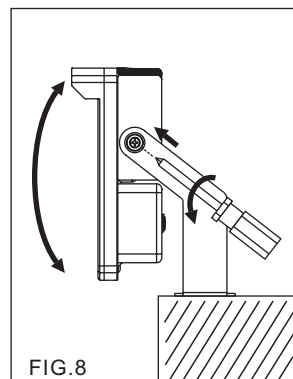
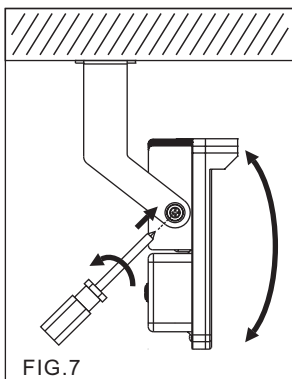
**Notice**

**For the security, if not used Day/Night output, please use the adhesive tape to wrap the connections.**

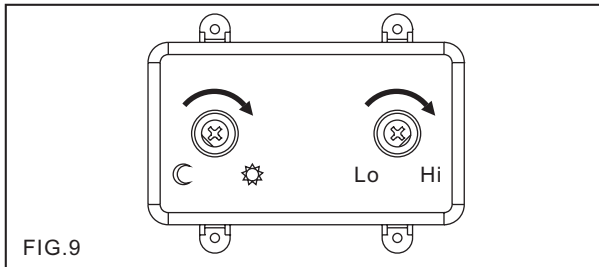
- Adjust the horizontal alignment by loosening the bracket bolts to match the camera field of view.



- Adjust the vertical alignment by loosening the side bolts(one on each side of the main body) to maximize the results.



6. To adjust light sensor sensitivity, first remove the sealing cap. Then adjust the potentiometer to turn the IR illuminator on when the lighting conditions are lighter or darker. Adjust further clockwise to make the IR illuminator turn on when it's lighter and counterclockwise when it's darker.



**Notice**

**To disable the light sensor adjust the sensitivity fully clockwise. This should make the IR illuminator turn on all the time.**

7. To adjust the IR power, first unscrew the sealing cap. Then adjust the power potentiometer clockwise to increase the power and counterclockwise to turn the IR power down. Please refer to FIG.9.

**Notice**

**Once all adjustments have been carried out, make sure that the sealing caps are properly closed so as to ensure the hermetic seal of the product.**

## SPECIFICATIONS

INFRARED ILLUMINATOR			
Model No.	IM05108	IM05308	IM05608
Power Input Voltage	AC100~240V		
Beam Angle	10°	30°	60°
Maximum Radiant Distance	250M	200M	150M
Infrared LED	Wave Length	850nm	
	Quantity	24 Units	
	Power	Adjustable From 21W to 42W	
	Power On	Sensor Auto Control, Adjustable Control Point	
Day/Night Output Voltage	DC5V / DC0V		
IP Rating	IP67		
Mounting	Ceiling & Wall		
Construction	Aluminum & Polycarbonate		
Maximum Power Consumption	42W		
Operation Temperature	-20°C ~ +50°C (-4°F ~ +122°F)		
Dimensions	Main Body: 172mm(W) x 242mm(H) x 102.5mm(D), Bracket: 165mm(W) x 192.5mm(H) x 132mm(D)		
Weight	2100g		

Design and specifications are subject to change without notice.



**MERIT LILIN ENT. CO., LTD**

<http://www.meritlilin.com>

**66-IM0510CSE**