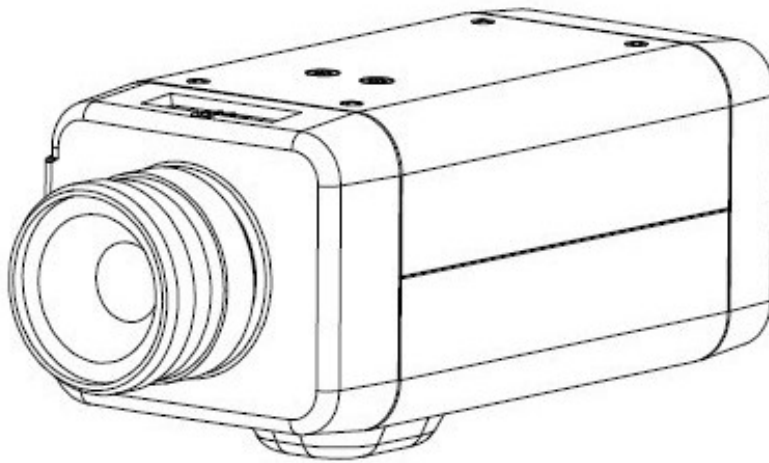


**JVC**

**VN-T16/U**  
**HD IP CAMERA**  
**QUICK GUIDE**



# Contents

1 Introduction.....	2
Unpack Everything.....	2
Prepare for Installation.....	2
Mount the Camera .....	2
Dimensions and Connect the Wiring.....	3
Network Setup.....	4
Setting IP .....	4
Connecting the Camera to a Personal Computer.....	4
Using “IP Finder” to Search Camera’ s IP Address .....	8
2 Notice of Use.....	8
3 Warnings .....	9
4 Dimensions .....	9
5 Specifications .....	10

## ■ Contents of this manual

- Windows and Internet Explorer are registered trademarks of Microsoft Corporation in the U.S.
- Pentium is a registered trademark of Intel Corporation in the U.S.
- AMD is trademark of Advanced Micro Devices Inc. in the U.S.
- Product names of other companies described in this manual are trademarks or registered trademarks of the respective companies. Symbols such as <sup>TM</sup>, ® and © are omitted in this manual.
- Design, specifications and other contents described in this manual are subject to change for improvements without prior notice.

# 1 Introduction

Thank you for purchasing the camera. Before installing it, please verify your model and read this guide carefully. See the INSTRUCTIONS located on CD-ROM for more information about setting up your camera.

---

## Unpack Everything

---

- **HD IP CAMERA**
- **WARRANTY CARD**
- **SAFETY PRECAUTIONS**
- **QUICK GUIDE**
- **8-PIN TERMINAL BLOCK** for alarm input/output
- **CD-ROM** containing INSTRUCTIONS and IP Finder software

---

## Prepare for Installation

---

Select the lens to use with your camera. This camera supports the use of a manual iris or DC iris lens. When using a DC iris lens, it should be connected to the camera via the 4-pin square socket located at the side of the camera.

---

## Mount the Camera

---

1. Attach the camera to a pending mount.  
Insert the screws on the camera stand into either of the screw holes on the base. Then tighten them up.
2. Mount the camera onto the ceiling/wall and fasten it securely.
3. Connect the Safety Wire(Fall Prevention Wire, not supplied) to the camera and the wall/ceiling.

---

To prevent the camera from falling off, ensure that it is connected to a firm place (ceiling slab or channel) using a Safety Wire (Fall Prevention Wire is not supplied).

**Warning**

Pay also careful attention to the length, strength, wiring, and material (insulating properties) of a Safety Wire (fall prevention wire) to be used. The length should be as short as possible within the permissible range of the mounting length. The wire should be strong enough to withstand the total weight of this product and the fixer. (Pay also attention to the finishing at the end of the wire.)

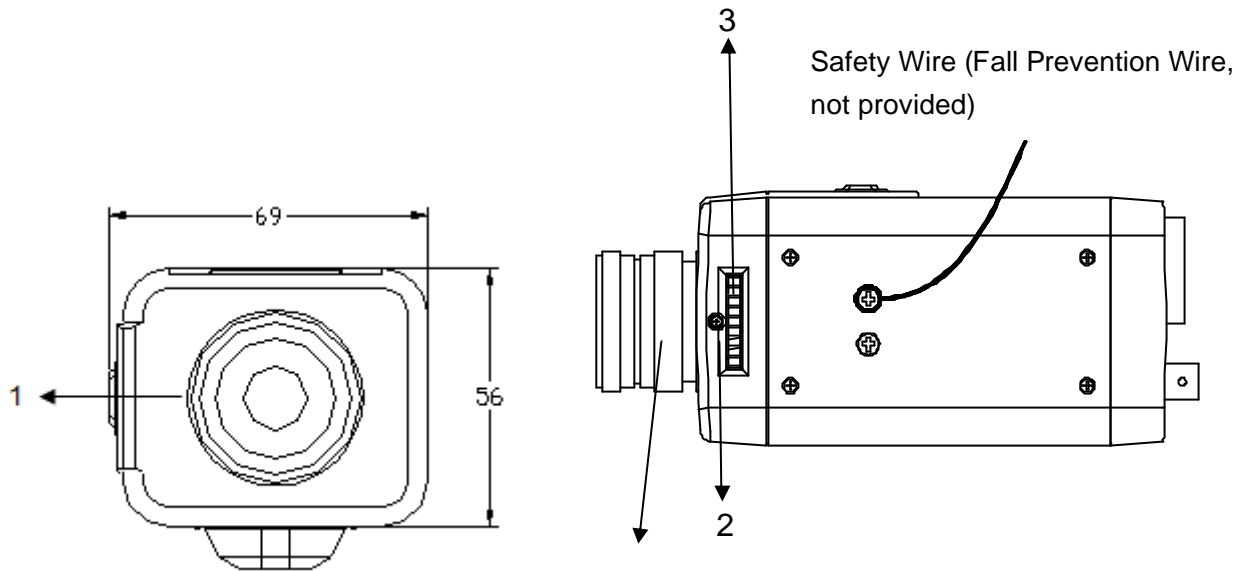
---

**Caution**

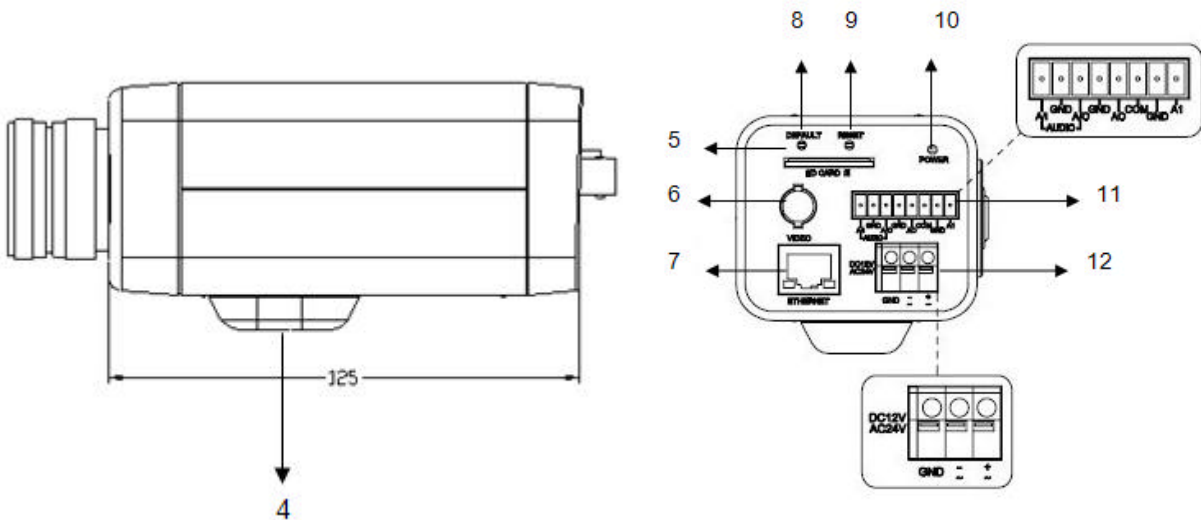
Must be isolated camera and the wall/ceiling which are connected by a Safety Wire (Fall Prevention Wire).

---

## Dimensions and Connect the Wiring



Lens is not provided.



1. CS mount: connect the 1/3-type CS mount lens with the camera
2. Screw: lock Back focus Adjustment
3. Back focus Adjustment
4. Base: connect the camera with the tripod
5. SD card slot: insert a SD card into this slot for recording and storage
6. Video: not supported (for factory use only)
7. RJ45 Ethernet Connector/ PoE: insert the RJ45 cable for network connection. It also supports PoE (Power over Ethernet).
8. Default Button: reset all of the camera parameters to factory default by pushing 5 seconds.
9. Reset Button: restart the system.
10. Power Indicator: Red light indicates power connection.
11. I/O Connector: Input/Output Connector
12. Power Terminal

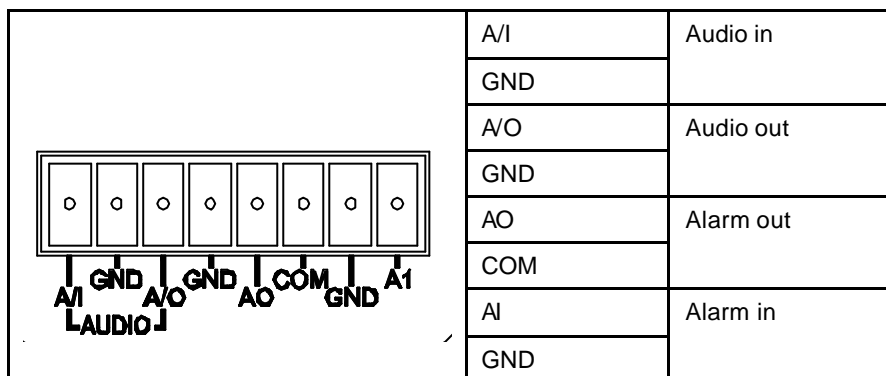
---

**Note** Connectors and field wiring terminals for external Class 2 circuits provided with marking indicating minimum Class of wiring to be used. Class 2 shall be marked adjacent to the field wiring terminals.

---

**Caution** To avoid damage to the camera, never connect more than one type of power supply (PoE or DC12V or AC24V power plug) at the same time.

---




---

## Network Setup

---

### Setting IP

This is a network-based camera and must be assigned an IP address first.

The camera's default IP address is 192.168.0.2 and sub mask is 255.255.255.0. To change IP address, open Network Settings page described later.

If your network uses a DHCP server, an IP address can be assigned automatically from the DHCP server by enabling DHCP in the Network Settings page described later.

### Connecting the Camera to a Personal Computer

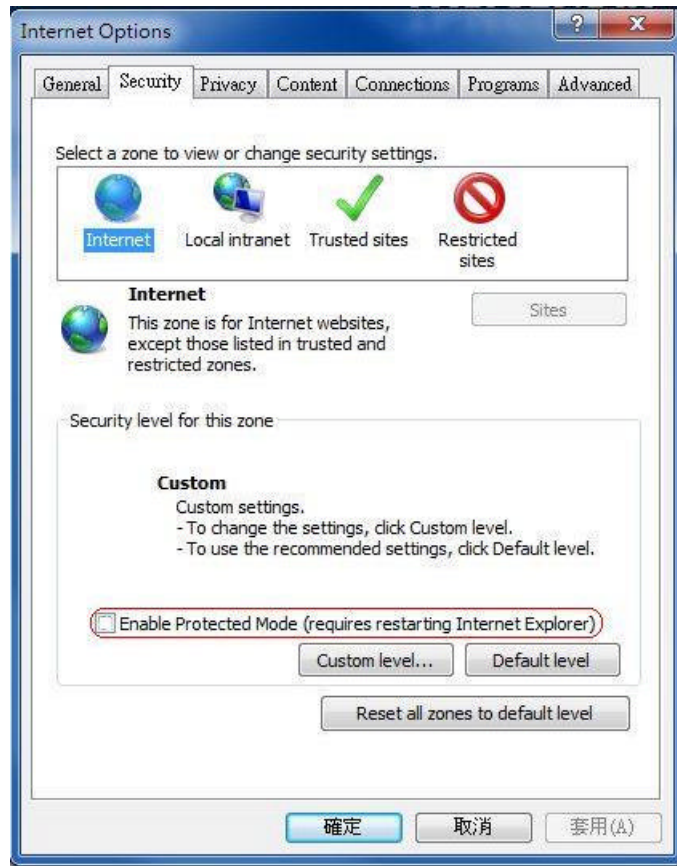
1. Connect the network cable to the camera and then turn on the camera's power.
2. Set the personal computer's IP address. The camera's default IP address is 192.168.0.2 and sub mask is 255.255.255.0.
3. Check that the camera and computer are connected by Pinging the IP address you have set. To do this, start a command prompt (Windows: from the Start Menu, select Program. Then select

- Accessories and choose Command Prompt.) Type: Ping 192.168.0.2. If the message “Reply from...” appears, it means the connection is done.
4. Start Internet Explorer and enter IP address: **192.168.0.2**. A login window will appear. Enter the default user name: **admin** and password: **jvc** to log in.

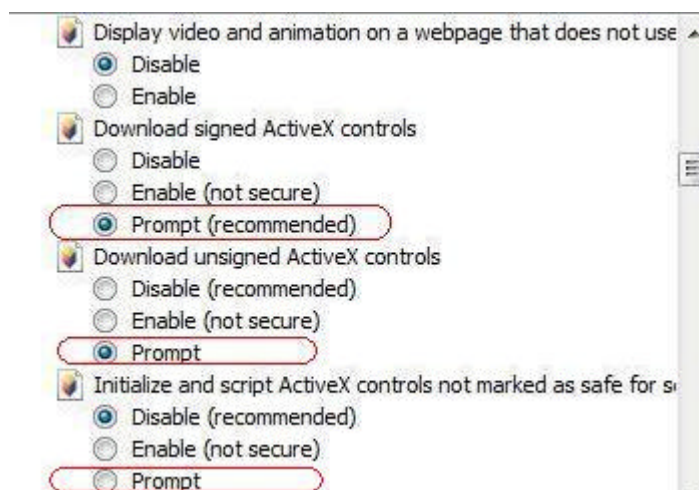


5. Images of the camera can be viewed through Internet Explorer. Before viewing, follow these steps to enable the display.
  - a. Enable Cookies as shown below:
    - In Internet Explorer, click **Internet Options** on the **Tools** menu.
    - On the **Privacy** tab, move the settings slider to **Low** or **Accept All Cookies**.
    - Click **OK**.
  - b. When a proxy server is used, click **Internet Options** on the **Tools** menu of Internet Explorer, select **Connect** tab, click **LAN** button, and set proxy server.
  - c. Change **Security** in Internet options as shown below:
    - On **tool** menu, click **Internet Option**.
    - Press the **Security** tab.
    - If the camera operates inside the Intranet, click the **Intranet** icon. If the camera operates on the Internet, click the **Internet** icon.

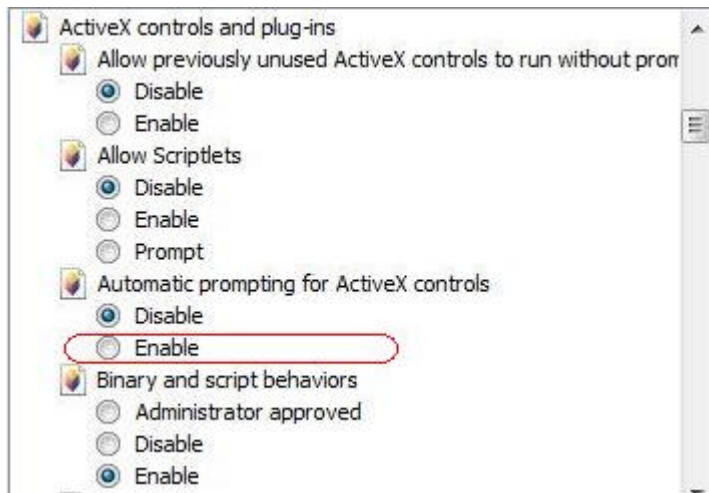
- In Windows 7 only, Click **【Tools】** → **【Internet Options】** → **【Security】**  
 Enable Protected Mode (require restarting Internet Explorer) → Unchecked



- Click **Custom Level**. This will open the **Security Settings – Internet Zone** screen.
- Scroll down to the **ActiveX controls and plug-ins** radio buttons and set as follows :  
**【Download signed ActiveX controls】** → Prompt (recommended)  
**【Download unsigned ActiveX controls】** → Prompt  
**【Initialize and script ActiveX not marked as safe for scripting】** → Prompt

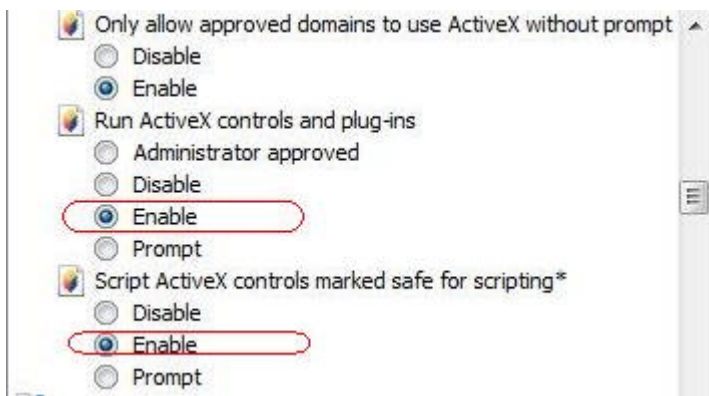


**【Automatic prompting for ActiveX controls】** → Enable

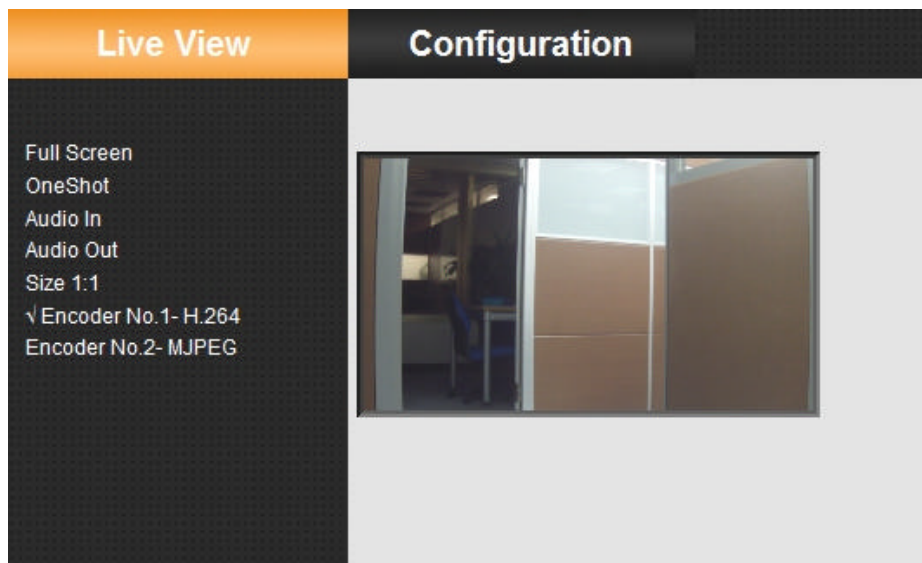


【Run ActiveX controls and plug-ins】 → Enable

【Script ActiveX controls marked safe for scripting\*】 → Enable



- Press **OK** to save the settings. Close all Internet Explorer windows and start a new window. This will allow the new settings to take effect.
6. Type your setting IP address into the browser.
  7. Then you should be able to see the camera image screen.





---

## Using “IP Finder” to Search Camera’s IP Address

---

The **IP Finder** is a tool which helps users to find VN-T16/216 series network cameras in the LAN which your computer is connected. Please note that **IP Finder** is only compatible with Windows 7, windows Vista and Windows XP.

1. Insert the CD-ROM in the CD-ROM drive.
2. Copy the IP Finder’s folder to your computer.
3. Double click the **IpFinder.exe** in your computer’s IP Finder folder. An IP Finder window will pop out. The window will display a list of IP cameras which you are using currently.
4. Press Search to search cameras.







## 2 Notice of Use

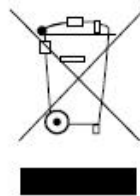
- This manual is designed for administrators and users of the network camera. Please read it carefully before use. All requirements should be followed before using this camera.
- Keep this document for future reference.
- Please make sure the power source is DC12V / AC24V / PoE. Only connect the camera to this power system.
- The camera must be installed on a solid mounting surface.
- Keep the camera and other accessories dry.
- We are not responsible for any damage caused by inappropriate use.
- Because the camera controls auto exposure by shutter speed, flicker can be shown by fluorescent light. To reduce the flicker, please select PAL mode if the power is 50Hz, or NTSC mode if the power is 60Hz. (Refer to INSTRUCTIONS “4 Overview of Navigation and Controls” - “Video Type”)

# 3 Warnings

Installation and maintenance should be performed only by qualified and experienced technicians to conform to all local codes and to maintain your warranty.

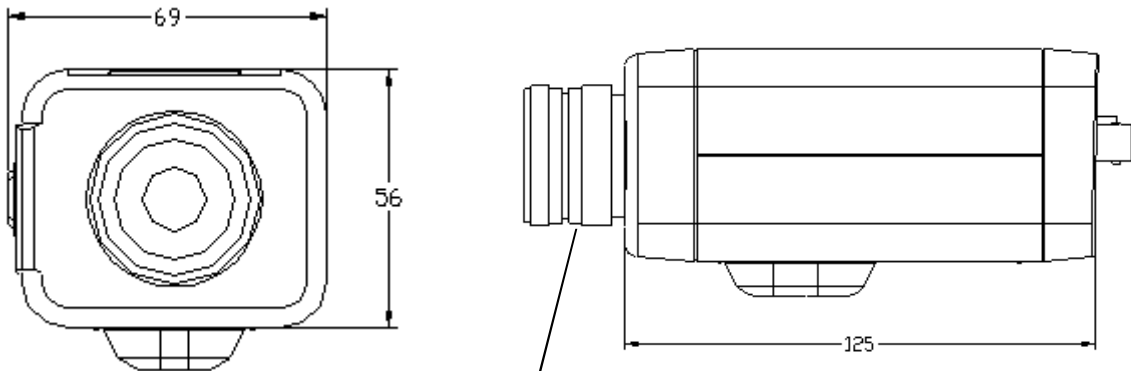
DANGER! AC24V models require the use of CSA Certified/UL Listed Class 2 power adapters to ensure compliance with electrical safety standards. Power over Ethernet (PoE) should meet the IEEE 802.3af. PoE standard.

	<b>CAUTION</b> RISK OF ELECTRIC SHOCK DO NOT OPEN			THIS SYMBOL INDICATES THAT DANGEROUS VOLTAGE CONSTITUTING A RISK OF ELECTRIC SHOCK IS PRESENT WITHIN THE UNIT.
CAUTION: TO REDUCE THE RISK OF ELECTRIC SHOCK, DO NOT REMOVE THE COVER. NO USER-SERVICEABLE PARTS INSIDE. REFER SERVICING TO QUALIFIED SERVICE PERSONNEL.			THIS SYMBOL INDICATES THAT IMPORTANT OPERATING AND MAINTENANCE INSTRUCTIONS ACCOMPANY THIS UNIT.	



**WEEE (Waste Electrical and Electronic Equipment).** Correct disposal of this product (applicable in the European Union and other European countries with separate collection systems). This product should be disposed of, at the end of its useful life, as per applicable local laws, regulations, and procedures.

# 4 Dimensions



Lens is not provided

## 5 Specifications

<b>Operational Specifications</b>	
<b>Image device</b>	1/2.7-type Mega-pixel CMOS sensor
<b>Sensitivity</b>	Color:0.6 lx, B/W: 0.6 lx (50% F1.2)
<b>Day/Night</b>	Easy D/N
<b>Auto Gain Control</b>	Off/On, selectable
<b>White Balance</b>	ATW (2800K~ 8500K) and Manual
<b>Electric Shutter</b>	NTSC: 1/30~1/10000 sec PAL:1/25~1/10000 sec
<b>Noise Reduction</b>	Yes
<b>Motion detection</b>	Yes
<b>Lens Mount</b>	1/3-type CS mount (with easy back focus adjustment)
<b>BLC</b>	Yes
<b>Audio</b>	Line in/out
<b>Alarm</b>	1 in / 1 out (Alarm out spec: 0.5A / AC120V max)
<b>IP Specifications</b>	
<b>Video Compression</b>	H.264 & MPEG4 & MJPEG
<b>Video Streaming</b>	Real time stream: 1080P H.264 or 720P H.264+D1 or D1+D1 Independent controllable frame rate and bandwidth. Constant or variable bitrate control
<b>Resolution</b>	NTSC: 1080P(1920 x 1080), 720P(1280 x 720), D1(720 x 480), 4CIF(704 x 480), VGA(640 x 480), CIF(352 x 240), QVGA(320 x 240)

	PAL: 1080P(1920 x 1080), 720P(1280 x 720), D1(720 x 576), 4CIF(704 x 576), VGA(640 x 480), CIF(352 x 288), QVGA(320 x 240)
Image Frame Rate	NTSC: Up to 30fps PAL: Up to 25fps
Security	Multiple user access levels with password protection
Users	1 Administrator, 5 Users
Video Access from Web Browser	Full control of all camera settings available to administrator
Minimum Web Browsing Requirements	Windows XP or Windows 7 as OS, Internet Explorer Version 6.0-8.0, CPU: Intel Pentium IV X2 2.4 GHz or equivalent AMD, Memory: 1G or above
Supported Protocols	IPv4, HTTP, TCP, RTSP, RTP, ICMP, UDP, IGMP, RTCP, FTP, DNS, DHCP, ARP
Network interface	RJ-45, 100BASE-TX/10BASE-T, FULL/HALF/Auto negotiation
Surveillance Protocol	ONVIF Compatible (pass compliance test tool)
Onboard Storage	SDHC (suggest class 10)
<b>Electrical</b>	
Power Supply	PoE IEEE 802.3af Class 0, DC12V, AC24V
Power Consumption	PoE 0.13A, DC12V 550mA
<b>Mechanical</b>	
Dimension	56mm(H) x 68mm(W) x 125mm(L)
Weight	390g

<p><b>Connectors</b></p>	<p><b>Power Input: spring terminal</b></p> <p><b>Network: RJ45 connector</b></p> <p><b>Audio In/out: removable terminal block</b></p> <p><b>Alarm In/out: removable terminal block</b></p>
<p><b>Environmental</b></p>	
<p><b>Operating Temperature</b></p>	<p><b>-10°C to 50°C</b></p>
<p><b>Operating Humidity</b></p>	<p><b>0% to 90%</b></p>
<p><b>Storage Temperature</b></p>	<p><b>-20°C to 60°C</b></p>