



BOSCH
Invented for life

NWD-495 FlexiDomeDN IP Cameras



- ▶ **High-impact, vandal-resistant enclosure**
- ▶ **Advanced Day/Night camera with mechanically switching IR filter**
- ▶ **15-bit DSP technology with XF-dynamic extended dynamic range**
- ▶ **High-quality MPEG-4 at full D1/4CIF/2CIF/Half D1/CIF/QCIF**
- ▶ **iSCSI recording**
- ▶ **Storage efficient tri-streaming: dual MPEG-4 and JPEG simultaneously**
- ▶ **Power over Ethernet (IEEE 802.3af compliant)**

The NWD-495 FlexiDome^{DN} IP is a high-performance 1/3-inch CCD Day/Night network camera, designed to ensure the highest possible image quality at all times. This ultra-compact and vandal-resistant camera provides DVD-like quality MPEG-4 video at up to 25 and 30 images per second (for PAL and NTSC respectively). Network video signals are sent over IP networks and can be received and displayed on a PC web browser, viewed and recorded using the DiBos hybrid recording system, or managed as part of a VIDOS or BVMS video management system. Moreover, send the MPEG4 stream to a BOSCH Video over IP (BVIP) decoder for viewing on a CVBS or VGA monitor.

The camera combines 15-bit digital video processing (which enhances sensitivity) and XF-Dynamic (which extends the dynamic range) to provide a sharper, more detailed image with outstanding accuracy in color reproduction.

Depending on the available light, the NWD-495 automatically switches from color to monochrome, enhancing sensitivity for IR illumination to provide high-quality images even in challenging low-light conditions.

FlexiDome IP uses MPEG-4 compression, bandwidth throttling, and multicasting capabilities to manage bandwidth and storage requirements efficiently while delivering the best image quality and resolution. The analog monitoring video output and On-screen Displays (OSD) simplify focus adjustment and network configuration,

leading to lower installation and support costs. Power over Ethernet (PoE) makes installation easier and more cost-effective because cameras no longer need AC power

Functions

Day/Night Mode

In Night Mode, the NWD-495 provides enhanced night viewing by increasing the IR sensitivity. The IR filter can switch automatically from color to monochrome by sensing the illumination level or be remotely switched via a web browser. An internal, through-the-lens IR detector enhances monochrome mode stability by preventing the camera from returning to the color mode when IR illumination is dominant.

XF-Dynamic

The highly accurate 15-bit digital signal is automatically processed to reveal every detail of the image in both the highlight and low-light areas of the scene simultaneously.

Intelligence

The FlexiDome Day/Night IP supports increased intelligence at the edge that provides powerful tamper detection for various combined picture cases arising from: video loss, masking, hooding, defocusing, and diverted camera. Bosch also offers Intelligent Video Motion Detection (IVMD) as an additional licensable option. This provides video content analysis (VCA) directly at the video input for even more advanced VCA.

MPEG-4 Video Encoding

The FlexiDome MPEG-4 encoder creates high-quality streaming video at low bit rates, minimizing bandwidth and storage requirements, which further reduces costs. Each FlexiDome IP camera can deliver up to 25 and 30 images per second (PAL and NTSC) at true 4CIF video resolution.

Tri-streaming Video

FlexiDome IP cameras can generate two separate MPEG-4 video streams and one JPEG stream simultaneously, while giving access to five users at a time. This advanced tri-streaming capability, not typically found in other IP CCTV systems, enables the user to optimize live viewing and recording requirements to meet specific site and enterprise needs. For example, BOSCH Video over IP Systems (BVIP) can be configured to record video at one quality setting (e.g. 3.75 IPS at 2CIF), while simultaneously providing live images at the best possible image quality (e.g. 30 IPS at 4CIF). Alternatively, the system deliver a high bandwidth, MPEG-4 stream to a local LAN user, while simultaneously streaming a low bandwidth MPEG-4 stream to a remote user over a WAN connection, while using the JPEG stream for remote viewing, for instance, on a PDA.

Power Options

Three power options, PoE, 24 VAC (12 to 28 VAC) and 12 VDC (+11 to +36 VDC), are available on the NWD-495. Utilizing PoE makes installation easier and more cost-effective, since cameras do not require a local AC power source. Additionally, they can use an uninterruptible power supply (UPS), which will allow continuous operation, even during a power failure, e.g. in emergencies.

OSD-based Network Set-up

Network parameters and basic camera set-up, such as lens set-up and back focus, are quickly and easily performed using the on-screen displays (OSD) and composite video monitoring output. Unlike other IP cameras, no network connection, PC configuration utilities, or other tools are required to set up FlexiDome IP.

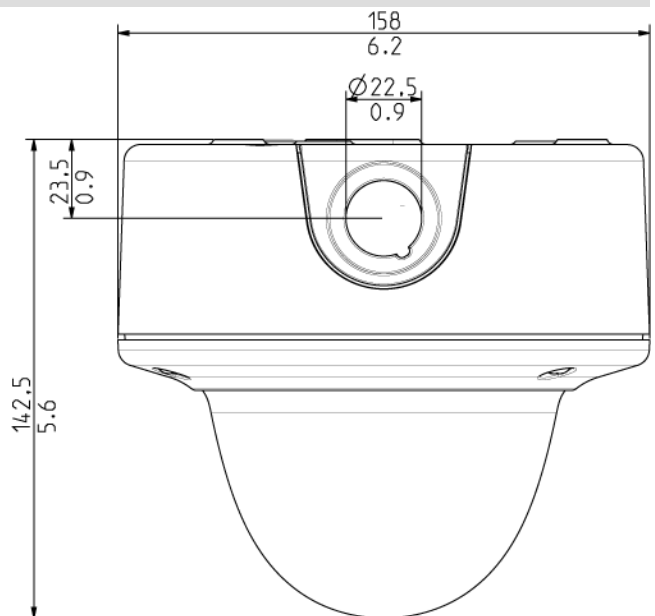
Recording

The FlexiDome IP cameras offer unparalleled recording options – network-attached utilizing iSCSI devices, and of course centrally, using network video recorders (NVRs). The iSCSI RAID 5 storage support enables a camera to act as a conventional DVR, while streaming high-performance live video across the network. The cameras also offer 10 Mb internal RAM storage.

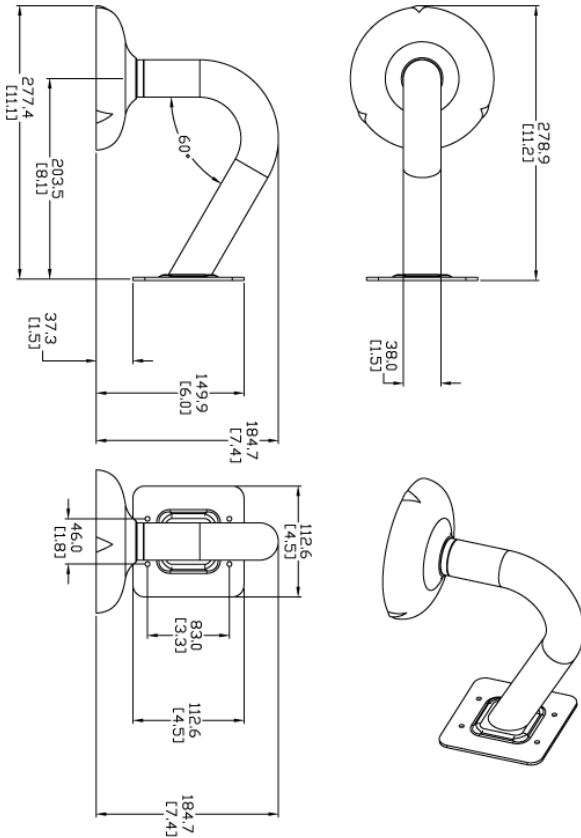
Certifications and Approvals

Safety	acc. to EN 60950-1 (CE) acc. to UL 60950-1
Immunity	acc. to EN 50130-4 (CE)
Emission	acc. to EN 55022 class B (CE) acc. to EN 61000-3-2 (CE); EN 61000-3-3 (CE) acc. to FCC CFR 47 Part 15, Class B acc. to AS/NZS CISPR 22 (equal to CISPR 22)

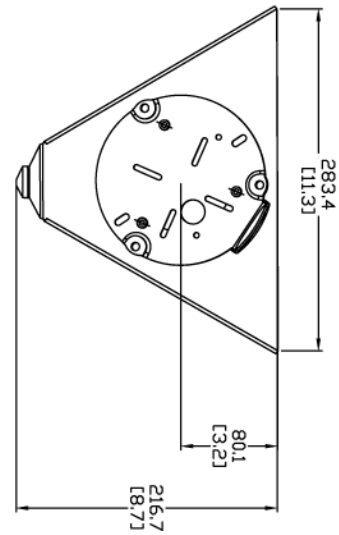
Installation/Configuration Notes



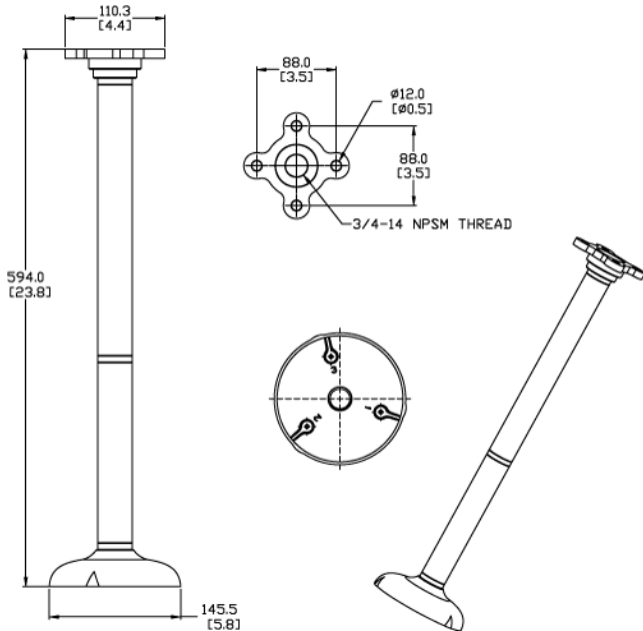
VDA-NWDWMT Wall Mount



VDA-NWDCMT Corner Mount



VDA-NWDPMT Pipe Mount



Parts Included

Quantity	Component
1	NWD-495 FlexiDome ^{DN} IP Cameras
1	Focus aid
1	Quick Installation Guide
1	CD-ROM with manual, software, and tools

Technical Specifications

Electrical

Power

Input voltage	+11 to +36 VDC (750 mA) 12 to 28 VAC, 45/65 Hz* (850 mA) PoE, IEEE 802.3af
Power consumption	10.5 VA (max)
Connector	3-pole push-in

Video

Video standards	MPEG-4; JPEG
GOP structure	I, IP
Data rate	9.6 Kbps to 6 Mbps (const. and variable)
Sensor	1/3-inch interline CCD
Sensor matrix	
PAL	752 x 582
NTSC	768 x 494

Resolutions and frame rates	PAL	NTSC
4CIF: 25/30 IPS	704 x 576	704 x 480
2CIF: 25/30 IPS	704 x 288	704 x 240
half D1: 25/30 IPS	352 x 576	352 x 480
CIF: 25/30 IPS	352 x 288	352 x 240
QCIF: 25/30 IPS	176 x 144	176 x 120

Video

Video out signal connector	1 x Analog composite (NTSC or PAL) BNC, 75 ohm
----------------------------	--

Video S/N	50 dB
-----------	-------

Sensitivity (3200 K, scene reflectivity 89%)	Usable picture (30 IRE)	Usable picture (50 IRE)	Full video (100 IRE)
NightMode	0.11 lx (0.01 fc)	0.27 lx (0.026 fc)	1.1 lx (0.1 fc)
color	0.32 lx (0.031 fc)	0.69 lx (0.064 fc)	2.7 lx (0.26 fc)
NightMode + SenseUp	0.011 lx (0.001 fc)	0.027 lx (0.003 fc)	0.11 lx (0.01 fc)
color + SenseUp	0.032 lx (0.003 fc)	0.069 lx (0.007 fc)	0.27 lx (0.026 fc)

SenseUp	Off; auto up to 10 x
---------	----------------------

Dynamic range	32 x
---------------	------

BLC	On/off; area; manual selectable
-----	---------------------------------

Gain	Fixed; auto with selectable limit (max 28 dB)
------	---

White balance	Auto (2500 to 10000 K); AWB hold; fixed selectable
---------------	--

Auto black	On/off selectable
------------	-------------------

Electronic shutter	Auto; fixed; flickerless; default
PAL	1/50 to 1/150000 s
NTSC	1/60 to 1/150000 s

Optical

Varifocal	IR-corrected, manual zoom and focus adjustment
-----------	--

Iris control	Automatic
--------------	-----------

Viewing angle	Wide 90.3° x 66.4° (H x V)
3 to 9 mm	Tele 31.9° x 23.9° (H x V)

Software control

Unit configuration	Via web browser or Configuration Manager
--------------------	--

Flicker control	50/60 Hz, selectable
-----------------	----------------------

Contour	Horizontal and vertical, symmetrical
---------	--------------------------------------

Firmware	Flash ROM, remote update
----------	--------------------------

Network

Protocols	Telnet, RTP, HTTP(S), ARP, TCP, UDP, IP, ICMP, DHCP, IGMPv2/v3, SNMP, 802.1x
-----------	--

Ethernet	10/100 Base-T, auto-sensing, half/full duplex, RJ45
----------	---

Overall unit delay	120 ms (MPEG-4)
--------------------	-----------------

PoE	IEEE 802.3af compliant
-----	------------------------

Mechanical

Dimensions (H x W x D)*	See drawing
-------------------------	-------------

Weight (without lens)	Approx. 1.8 kg (3.96 lb)
-----------------------	--------------------------

Color	White (RAL 9010), black inner liner
-------	-------------------------------------

Material dome bubble	Polycarbonate, clear, UV-blocking, anti-scratch coating
trim ring, camera body	Aluminum

Lens mounting	C/CS
---------------	------

Adjustment range	360° pan, 90° tilt, ±90° azimuth
------------------	----------------------------------

Environmental

Operating temperature	-10 °C to +40 °C (+14 °F to +104 °F)
-----------------------	--------------------------------------

Storage temperature	-25 °C to +70 °C (-13 °F to +158 °F)
---------------------	--------------------------------------

Humidity	20% to 80% relative humidity (noncondensing)
----------	--

Water/dust protection	IP 54, NEMA-3R
-----------------------	----------------

Ordering Information

NWD-495V03-10P PAL, 3 to 9 mm F1.4 lens	NWD-495V03-10P
---	-----------------------

NWD-495V03-20P NTSC, 3 to 9 mm F1.4 lens	NWD-495V03-20P
--	-----------------------

TC 1334 Power Supply Unit 120 VAC/24 VAC, 60 Hz, 30 VA	TC1334
--	---------------

TC 120PS Power Supply Unit 110-120 VAC/15 VDC, 50/60 Hz, 300mA	TC120PS
--	----------------

TC 220PS Power Supply Unit 230 VAC/12 VDC, 50 Hz, 10 VA	TC220PS
---	----------------

TC 220PSX-24 Power Supply Unit 230 VAC/20 VAC, 50 Hz, 20 VA	TC220PSX-24
---	--------------------

Accessories

VDA-NWDPMT PENDANT MOUNT FOR FLEXIDOME IP SERIES	VDA-NWDPMT
--	-------------------

VDA-NWDWMT WALL MOUNT FOR FLEXIDOME IP SERIES	VDA-NWDWMT
---	-------------------

VDA-NWDCMT CORNER MOUNT FOR FLEXIDOME IP SERIES	VDA-NWDCMT
---	-------------------

Europe, Middle East, Africa:
Bosch Security Systems B.V.
P.O. Box 80002
5600 JB Eindhoven, The Netherlands
Phone: +31 40 2577 284
Fax: +31 40 2577 330
emea.securitysystems@bosch.com
www.boschsecurity.com

Americas:
Bosch Security Systems, Inc.
130 Perinton Parkway
Fairport, New York, 14450, USA
Phone: +1 800 289 0096
Fax: +1 585 223 9180
security.sales@us.bosch.com
www.boschsecurity.us

Asia-Pacific:
Bosch Security Systems Pte Ltd
38C Jalan Pemimpin
Singapore 577180
Phone: +65 6319 3450
Fax: +65 6319 3499
apr.securitysystems@bosch.com
www.boschsecurity.com

Represented by