

## AXIS M7001 Video Encoder

The smallest video encoder with H.264.



- > Compact and cost-effective
- > Full frame rate in all resolutions
- > Simultaneous H.264 and Motion JPEG
- > PTZ support
- > Power over Ethernet

The one-channel AXIS M7001 Video Encoder offers a highly compact design with superb H.264 performance, providing an easy and cost-effective solution for integrating small or large numbers of analog CCTV cameras into an IP-based video surveillance system.

The palm-sized, standalone AXIS M7001 is designed for installation close to an analog camera. It supports all types of analog cameras including PTZ (pan/tilt/zoom) and PTZ domes.

AXIS M7001 is perfect for small and large analog video installations, especially where an IP network infrastructure is already in place. Its small size also makes it ideal for use in discreet surveillance applications, for example, in retail stores and banks, and in camera housings.

AXIS M7001 can deliver two simultaneous video streams, one in H.264 and another in Motion JPEG, at full frame rate in all resolutions up to D1 (720x480 in NTSC, 720x576 in PAL).

The H.264 video compression format drastically reduces bandwidth and storage requirements without compromising image quality. Motion JPEG is supported for increased flexibility. The video encoder also provides video motion detection.

AXIS M7001 is powered over Ethernet using the same cable as for data transmission, which simplifies installation. The video encoder can, in turn, feed power to the small covert camera that is included in the AXIS M7001 Covert Surveillance Kit.



## Technical specifications – AXIS M7001 Video Encoder

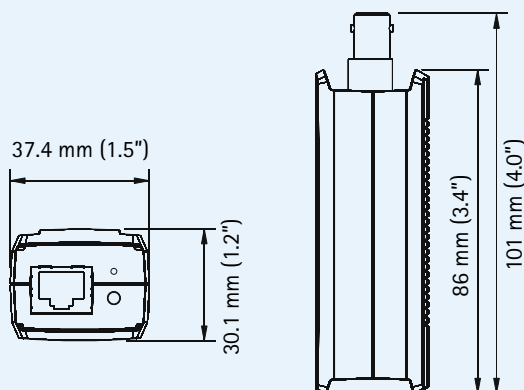
Video		System integration	
<b>Video compression</b>	H.264 Motion JPEG	<b>Application Programming Interface</b>	Open API for software integration, including VAPIX® from Axis Communications available at <a href="http://www.axis.com">www.axis.com</a>
<b>Resolutions</b>	NTSC: 720x480 to 176x120 PAL: 720x576 to 176x144	<b>Intelligent video</b>	Video motion detection
<b>Frame rate H.264</b>	30/25 (NTSC/PAL) fps in all resolutions	<b>Alarm triggers</b>	Intelligent video
<b>Frame rate Motion JPEG</b>	30/25 (NTSC/PAL) fps in all resolutions	<b>Alarm events</b>	File upload via FTP, HTTP and email Notification via email, HTTP and TCP PTZ presets
<b>Video streaming</b>	Two simultaneous streams, one in H.264 and one in Motion JPEG, in all resolutions Controllable frame rate and bandwidth VBR/CBR H.264	<b>Video buffer</b>	20 MB pre- and post-alarm
<b>Image settings</b>	Compression, color, brightness, contrast, saturation, rotation Aspect ratio correction, mirroring of images Text overlay Privacy mask Deinterlace filter	<b>General</b>	
<b>Pan/Tilt/Zoom</b>	Wide range of analog PTZ cameras supported (drivers available for download at <a href="http://www.axis.com">www.axis.com</a> ) 20 presets, guard tour, PTZ control queue Supports Windows compatible joysticks	<b>Casing</b>	Standalone or wall mount
<b>Network</b>		<b>Processors and memory</b>	ARTPEC-3, 64 MB RAM, 128 MB Flash
<b>Security</b>	Password protection, IP address filtering, HTTPS encryption, digest authentication, user access log	<b>Power</b>	Power over Ethernet IEEE 802.3af Class 2
<b>Supported protocols</b>	IPv4/v6, HTTP, HTTPS, QoS layer 3 DiffServ, FTP, SMTP, Bonjour, UPnP, SNMPv1/v2c/v3(MIB-II), DNS, DynDNS, NTP, RTSP, RTP, TCP, UDP, IGMP, RTCP, ICMP, DHCP, ARP, SOCKS	<b>Connectors</b>	Analog composite video BNC input, NTSC/PAL auto-sensing RJ-45 10BaseT/100BaseTX PoE 2.5 mm (0.1") analog composite video tele plug input RS-422/RS-485
		<b>Operating conditions</b>	0 – 50 °C (32 – 122 °F) Humidity 20 – 80% RH (non-condensing)
		<b>Approvals</b>	EN 55022 Class B, EN 61000-3-2, EN 61000-3-3, EN 55024, EN 61000-6-1, EN 61000-6-2, FCC Part 15 Subpart B Class B, ICES-003 Class B, VCCI Class B, C-tick AS/NZS CISPR 22, EN 60950-1
		<b>Weight</b>	82 g (0.18 lb.)
		<b>Included accessories</b>	Mounting kit, Installation Guide, CD with installation and management tools, software and User's Manual, 1 Windows decoder user license

## Technical specifications – AXIS M7001 Covert Surveillance Kit

<b>Included</b>	1 AXIS M7001 Video Encoder, 1 covert camera, mounting kits, Installation Guide, CD with installation and management tools, software and User's Manual, 1 Windows decoder user license	<b>Covert camera</b>	Dimensions: 15.3 x 28.4 mm (0.6" x 1.1"), Ø 15 mm (0.59") 51° horizontal angle of view, fixed iris 1 lux minimum illumination, IP66-rated 1.5 m (4.9') cable with 2.5 mm (0.1") analog composite video tele plug output
-----------------	---	----------------------	--

More information is available at [www.axis.com](http://www.axis.com)

### Dimensions for AXIS M7001 Video Encoder



### AXIS M7001 Covert Surveillance Kit



### Optional accessories

AXIS 295 Video Surveillance Joystick



Power over Ethernet midspan



For information on AXIS Camera Station and video management software from Axis' Application Development Partners, see [www.axis.com/products/video/software/](http://www.axis.com/products/video/software/)