

## AXIS 215 PTZ Network Camera

Compact pan/tilt/zoom camera for 360° video surveillance.



- > Pan, tilt and zoom
- > 12x optical zoom
- > 360° pan with Auto-flip
- > Day and night function
- > Audio detection alarm
- > Simultaneous MPEG-4 and Motion JPEG

AXIS 215 PTZ Network Camera, with its unique pan/tilt/zoom capabilities and tamper-resistant design, is the perfect solution for video surveillance in retail stores, banks, receptions and schools.

The camera offers advanced remote monitoring with pan, tilt and zoom over IP networks. The total magnification capacity of 48x (12x optical zoom and 4x digital zoom) increases monitoring options with the ability to show a detailed and precise view of the zoomed-in area.

AXIS 215 PTZ has 360° pan capability, thanks to the unique Auto-flip function. Auto-flip allows the camera to simulate a continuous pan beyond the mechanical stop, thereby enabling an operator to continuously follow an object.

The E-flip function flips the image electronically 180°, allowing a person or object to be followed when passing directly below the camera in the correct orientation without a repositioning delay.

The camera has automatic day and night functionality with a removable IR-cut filter, providing color video when there is sufficient light and high quality black and white video in dark conditions.

AXIS 215 PTZ can send an alarm at a configurable audio detection level. Its two-way audio support allows users to communicate with visitors and intruders.

Simultaneous MPEG-4 and Motion JPEG video streams allow for optimization in both image quality and bandwidth efficiency.



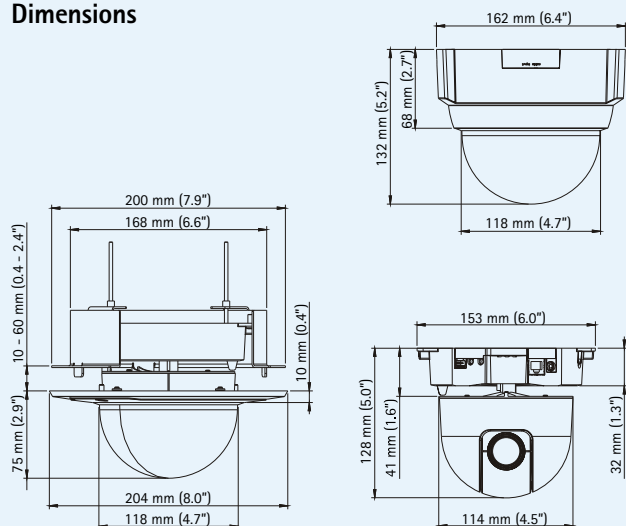
## Technical specifications – AXIS 215 PTZ Network Camera

| Camera                        |                                                                                                                                                                                                                                                                                                 |
|-------------------------------|-------------------------------------------------------------------------------------------------------------------------------------------------------------------------------------------------------------------------------------------------------------------------------------------------|
| <b>Models</b>                 | AXIS 215 PTZ 60 Hz/NTSC<br>AXIS 215 PTZ 50 Hz/PAL                                                                                                                                                                                                                                               |
| <b>Image sensor</b>           | 1/4" interlaced CCD                                                                                                                                                                                                                                                                             |
| <b>Lens</b>                   | 3.8 – 46 mm, F1.6 – F2.7, automatic day/night, autofocus<br>Angle of view, horizontal: 4.4° – 51.6°                                                                                                                                                                                             |
| <b>Minimum illumination</b>   | Color: 1 lux at 30 IRE, F1.6<br>B/W: 0.3 lux at 30 IRE, F1.6                                                                                                                                                                                                                                    |
| <b>Shutter time</b>           | NTSC: 1/50000 to 4/3 s<br>PAL: 1/50000 to 8/5 s                                                                                                                                                                                                                                                 |
| <b>Pan/Tilt/Zoom</b>          | 20 preset positions<br>Auto-flip, E-flip<br>±170° (360° via Auto-flip) pan range, 180°/s pan speed<br>180° tilt range, 140°/s tilt speed<br>12x optical, 4x digital zoom<br>Control queue, image freeze, sequence mode<br>Support Windows compatible joysticks<br>Designed for operator control |
| Video                         |                                                                                                                                                                                                                                                                                                 |
| <b>Video compression</b>      | MPEG-4 Part 2 (ISO/IEC 14496-2)<br>Motion JPEG                                                                                                                                                                                                                                                  |
| <b>Resolutions</b>            | NTSC: 704x480 to 176x120<br>PAL: 704x576 to 176x144                                                                                                                                                                                                                                             |
| <b>Frame rate MPEG-4</b>      | Up to 30/25 (NTSC/PAL) in 2CIF/CIF/QCIF<br>Up to 26/22 (NTSC/PAL) in 4CIF/2CIFExp                                                                                                                                                                                                               |
| <b>Frame rate Motion JPEG</b> | Up to 30/25 (NTSC/PAL) in all resolutions                                                                                                                                                                                                                                                       |
| <b>Video streaming</b>        | Simultaneous MPEG-4 and Motion JPEG<br>Controllable frame rate and bandwidth<br>VBR/CBR MPEG-4<br>ISMA compatible                                                                                                                                                                               |
| <b>Image settings</b>         | Compression, color, brightness, sharpness, white balance, exposure control, backlight compensation, day/night<br>Rotation 0°, 180°<br>Aspect ratio correction<br>Text and image overlay<br>De-interlace (4CIF resolution)                                                                       |
| Audio                         |                                                                                                                                                                                                                                                                                                 |
| <b>Audio streaming</b>        | Two-way, full or half duplex                                                                                                                                                                                                                                                                    |
| <b>Audio compression</b>      | G.711 PCM 8 kHz 64kbit/s<br>G.726 ADPCM 8 kHz 32 or 24 kbit/s                                                                                                                                                                                                                                   |
| <b>Audio input/output</b>     | External microphone input or line input, line level output                                                                                                                                                                                                                                      |

| Network                                  |                                                                                                                                                                                                                               |
|------------------------------------------|-------------------------------------------------------------------------------------------------------------------------------------------------------------------------------------------------------------------------------|
| <b>Security</b>                          | Password protection, IP address filtering, HTTPS encryption, IEEE 802.1X network access control                                                                                                                               |
| <b>Supported protocols</b>               | IPv4/v6, HTTP, HTTPS, QoS Layer 3 DiffServ, FTP, SMTP, Bonjour, UPnP, SNMPv1/v2c/v3 (MIB-II), DNS, DynDNS, NTP, RTSP, RTP, TCP, UDP, IGMP, RTCP, ICMP, DHCP, ARP, SOCKS                                                       |
| System integration                       |                                                                                                                                                                                                                               |
| <b>Application Programming Interface</b> | Open API for software integration, including VAPIX® from Axis Communications available at <a href="http://www.axis.com">www.axis.com</a>                                                                                      |
| <b>Intelligent video</b>                 | Video motion detection, audio detection                                                                                                                                                                                       |
| <b>Alarm triggers</b>                    | Intelligent video and external input                                                                                                                                                                                          |
| <b>Alarm events</b>                      | File upload via FTP, HTTP and email<br>Notification via email, HTTP and TCP<br>External output activation                                                                                                                     |
| <b>Video buffer</b>                      | 9 MB pre-and post alarm                                                                                                                                                                                                       |
| General                                  |                                                                                                                                                                                                                               |
| <b>Processors and memory</b>             | ETRAX FS, ARTPEC-2, 32 MB RAM, 8 MB Flash                                                                                                                                                                                     |
| <b>Power</b>                             | 12 V DC ±5%, max 14.5 W                                                                                                                                                                                                       |
| <b>Connectors</b>                        | RJ-45 for 10BASE-T/100BASE-TX<br>Terminal block for 1 alarm input, 1 output and power out for I/O<br>3.5 mm mic/line in, 3.5 mm line out                                                                                      |
| <b>Operating conditions</b>              | 0 – 45 °C (32 – 113 °F)<br>Humidity 20 – 80% RH (non-condensing)                                                                                                                                                              |
| <b>Approvals</b>                         | EN 55022 Class B, EN 55024, EN 61000-3-2, EN 61000-3-3, EN 60950-1, FCC Part 15 Subpart B Class B, ICES-003 Class B, C-tick AS/NZS 3548<br>Power supply: UL, CSA, CE                                                          |
| <b>Weight</b>                            | 730 g (1.6 lb.) incl hard ceiling cover<br>1260 g (2.8 lb.) incl drop ceiling mounting bracket and cover                                                                                                                      |
| <b>Included accessories</b>              | Installation Guide, CD with User's Manual, recording software, installation and management tools, hard ceiling and drop ceiling mount kits, indoor power supply, transparent and smoked domes, Windows decoder 1-user license |

More information is available at [www.axis.com](http://www.axis.com)

### Dimensions



### Optional accessories

Various housings



AXIS 295 Video Surveillance Joystick



AXIS T90A illuminators



For information on AXIS Camera Station and video management software from Axis' Application Development Partners, see [www.axis.com/products/video/software/](http://www.axis.com/products/video/software/)