

## AXIS P5522/-E PTZ Dome Network Cameras

Affordable day/night PTZ domes with 18x zoom for broad application.



- > 18x optical zoom with autofocus
- > D1 resolution, day/night, H.264
- > IP-rated protection against dust and water
- > Advanced Gatekeeper
- > Easy installation including PoE+ (IEEE 802.3at)

The indoor AXIS P5522 and outdoor AXIS P5522-E are easy-to-install pan/tilt/zoom dome cameras suitable for surveillance applications in areas such as stores, offices, hotels, warehouses, parking lots and construction sites.

AXIS P5522/-E cameras enable users at a remote location to pan 360° for overview surveillance, tilt 180° and zoom in 18x with autofocus for detailed views. The Advanced Gatekeeper functionality enables the cameras to automatically move to a preset position when motion is detected in a pre-defined area.

High image quality is maintained even in low light conditions, thanks to the cameras' day/night functionality. Support for wide dynamic range enables objects in both dark and light areas of a scene to be visible.

The PTZ cameras provide H.264 and Motion JPEG streams at full frame rate in all resolutions up to D1 (720x480 in 60 Hz, 720x576 in 50 Hz).

The indoor AXIS P5522 has an IP51 rating, which ensures protection against dust and dripping water, enabling the camera to operate even when the sprinkler system is activated. The outdoor AXIS P5522-E has IP66- and NEMA 4X-rated protection against dust, rain and snow and can operate in temperatures from -20 °C to 50 °C (-4 °F to 122 °F). Easy installation features include support for Power over Ethernet Plus (PoE+). A PoE+ midspan is supplied.



Note: Mounting kits for hard and drop ceilings are included with AXIS P5522. Other mounts are sold separately.

# Affordable day/night AXIS P5522/-E cameras suitable for wide range of surveillance applications

AXIS P5522/-E PTZ Dome Network Cameras offer affordable and advanced solutions for remote surveillance of large indoor and outdoor areas. The cameras provide users with the flexibility to get wide area coverage and detailed views.

## 18x optical zoom

AXIS P5522/-E cameras offer 18x optical and 12x digital zoom with autofocus. They also enable guard tours, whereby the cameras can automatically go to different preset positions to check on different areas of a scene.



Overview



Zoomed in

## Wide dynamic range (WDR)

The cameras support wide dynamic range, which enables objects in both dark and light areas of a scene to be visible.



Without WDR



With WDR

## Intelligent video, audio, alarm management, local storage

Intelligent video functions such as video motion detection, audio detection and applications supported by AXIS Camera Application Platform can be used as alarm triggers to activate recording and send notifications via e-mail, HTTP and TCP.

When an optional multi-connector cable is used, the indoor AXIS P5522 enables users to remotely listen in and communicate with, for example, intruders. The cable also allows the indoor camera to connect to external devices such as sensors and relays to, for example, turn on lights or lock doors when an alarm is triggered.

AXIS P5522/-E cameras have a built-in SD/SDHC memory card slot that enables recordings to be stored locally.

## Advanced Gatekeeper

Advanced Gatekeeper enables AXIS P5522/-E cameras to automatically move to a preset position—for instance, zoom in to capture a license plate—when motion is detected in a pre-defined area and return to the home position after a set time.



## One network cable for power, video/audio, PTZ controls

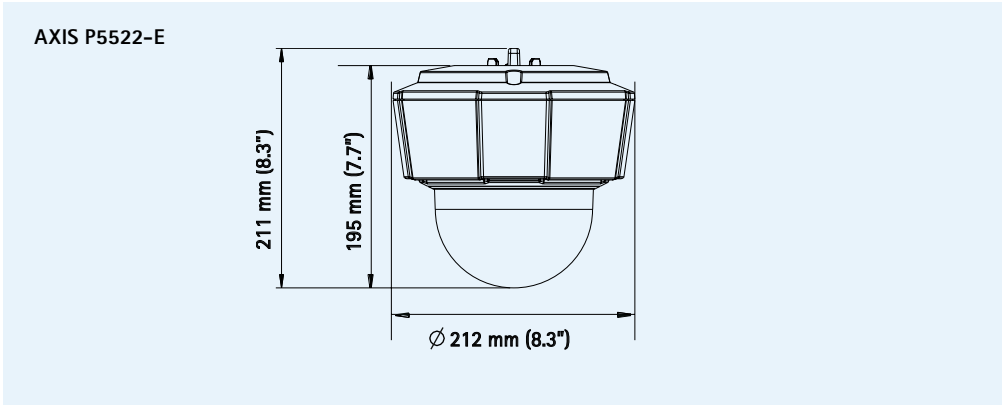
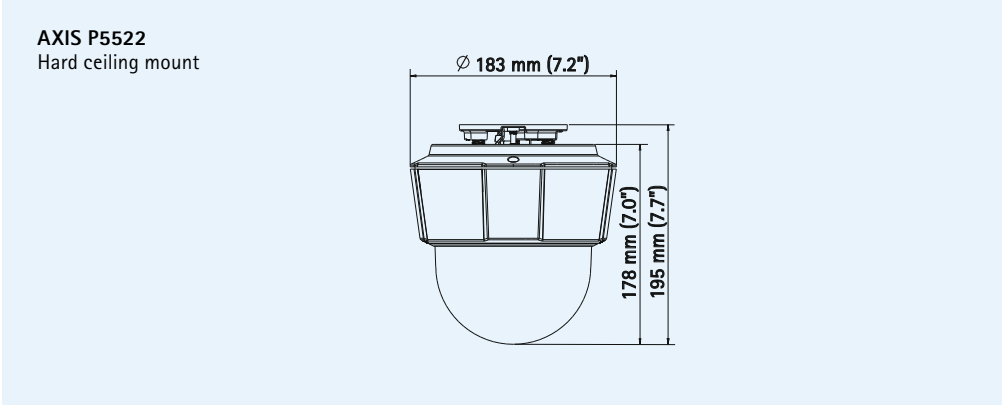
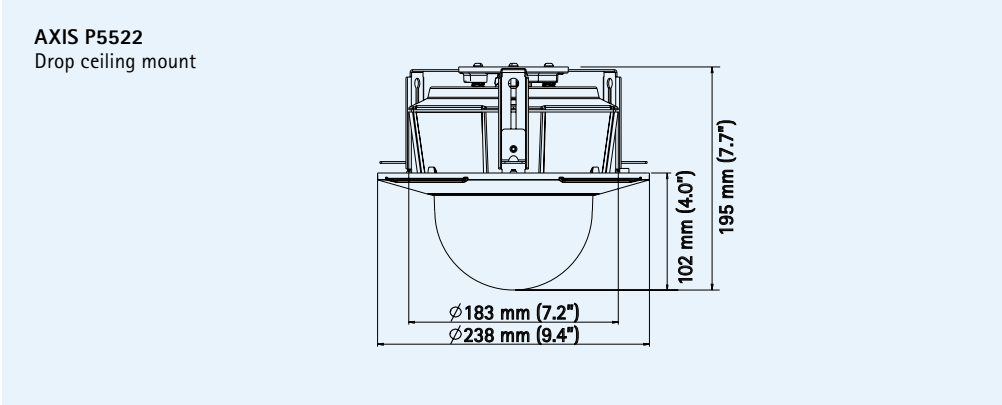
AXIS P5522/-E cameras are powered using standard PoE+ (IEEE 802.3at), enabling easy installation. The cameras connect to the supplied PoE+ midspan with one network cable for carrying power, video/audio and PTZ controls. The midspan is then connected to a switch.



## Reliable and easy installation

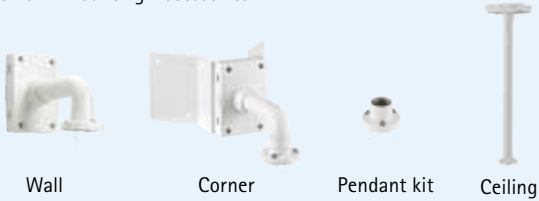
AXIS P5522/-E cameras have IP ratings, in addition to a NEMA rating for the outdoor cameras, ensuring reliable operation in indoor or outdoor environments. No additional enclosures are required. The cameras are also designed with easy bayonet mounting to Axis' standard mounting accessories for ceiling, wall, pole or corner installations. Mounting brackets for hard and soft ceilings are included with the indoor AXIS P5522.





**Optional accessories**

**AXIS T91A Mounting Accessories**



**AXIS T90A Illuminators**



**AXIS T8310 Video Surveillance Control Board**



**AXIS T8122 DC 30 W Midspan**



For **AXIS P5522**:  
Multi-connector cable for AC/DC power, I/Os and audio



For **AXIS P5522-E**:  
**AXIS P8221 Network I/O Audio Module**



AXIS Camera Station and video management software from Axis' Application Development Partners. For more information, see [www.axis.com/products/video/software/](http://www.axis.com/products/video/software/)

## Technical specifications – AXIS P5522/-E PTZ Dome Network Cameras

Camera		System integration	
<b>Models</b>	AXIS P5522 60 Hz; AXIS P5522 50 Hz AXIS P5522-E 60 Hz; AXIS P5522-E 50 Hz	<b>Application Programming Interface</b>	Open API for software integration, including VAPIX® and AXIS Camera Application Platform; specifications at www.axis.com Includes the ONVIF specification available at www.onvif.org AXIS Video Hosting System (AVHS) with One-Click Camera Connection
<b>Image sensor</b>	1/4" ExView HAD progressive scan CCD	<b>Intelligent video</b>	Video motion detection, Advanced Gatekeeper, AXIS Camera Application Platform AXIS P5522: Audio detection
<b>Lens</b>	f=4.1 – 73.8 mm, F1.4 – 3.0, autofocus, automatic day/night Horizontal angle of view: 47.0° – 2.8°	<b>Alarm triggers</b>	Video motion detection, PTZ preset, temperature, memory card full, AXIS Camera Application Platform AXIS P5522: External input, audio detection
<b>Minimum illumination</b>	Color: 0.5 lux at 30 IRE F1.4 B/W: 0.01 lux at 30 IRE F1.4	<b>Alarm events</b>	File upload via FTP, HTTP and email Notification via email, HTTP and TCP Go to PTZ preset, run guard tour, record to local storage Pre- and post-alarm video buffering AXIS P5522: External output, play audio clip
<b>Shutter time</b>	1/10000 s to 1 s	<b>General</b>	
<b>Pan/tilt/zoom</b>	E-flip, Auto-flip, 100 preset positions Pan: 360° (with Auto-flip), 0.2° – 200°/s Tilt: 180°, 0.2° – 200°/s 18x optical zoom and 12x digital zoom, total 216x zoom	<b>Casing</b>	Acrylic (PMMA) clear dome AXIS P5522: IP51-rated aluminum casing AXIS P5522-E: IP66- and NEMA 4X-rated aluminum casing, sunshield (PC/ASA)
<b>Pan/tilt/zoom functionalities</b>	Limited guard tour Control queue On-screen directional indicator	<b>Processors and memory</b>	ARTPEC-3, 256 MB RAM, 128 MB Flash
<b>Video</b>		<b>Power</b>	Power over Ethernet Plus (PoE+) IEEE 802.3at, max. 30 W AXIS T8123 High PoE Midspan 1-port: 100-240 V AC, max. 37 W AXIS P5522: 20-24 V AC, max. 23 VA; 24-34 V DC, max. 16 W
<b>Video compression</b>	H.264 (MPEG-4 Part 10/AVC) Motion JPEG	<b>Connectors</b>	RJ-45 for 10BASE-T/100BASE-TX PoE AXIS P5522: Multi-connector (cable not included) for AC/DC power, 4 configurable alarm inputs/outputs, mic in, line mono input, line mono output to active speaker
<b>Resolutions</b>	D1 720x480 to 176x120 (60 Hz) D1 720x576 to 176x144 (50 Hz)	<b>Local storage</b>	SD/SDHC memory card slot (card not included)
<b>Frame rate</b>	H.264: Up to 30/25 fps (60/50 Hz) in all resolutions Motion JPEG: Up to 30/25 fps (60/50 Hz) in all resolutions	<b>Operating conditions</b>	AXIS P5522: 0 °C to 50 °C (32 °F to 122 °F) Humidity 20 – 80% RH (non-condensing) AXIS P5522-E: -20 °C to 50 °C (-4 °F to 122 °F)
<b>Video streaming</b>	Multiple, individually configurable streams in H.264 and Motion JPEG Controllable frame rate and bandwidth VBR/CBR H.264	<b>Approvals</b>	EN 55022 Class A, EN 61000-3-2, EN 61000-3-3, EN 61000-6-1, EN 61000-6-2, EN 55024, FCC Part 15 Subpart B Class A, ICES-003 Class A, VCCI Class A, C-tick AS/NZS CISPR 22, EN 60950-1, KCC Class A; AXIS P5522: IEC 60529 IP51; IEC 60721-4-3 Class 3K3, 3M3, EN/IEC 60068-2 AXIS P5522-E: IEC 60529 IP66, NEMA 250 Type 4X; IEC 60721-4-3 Class 4K1, 4C3, 4M3, EN/IEC 60068-2
<b>Image settings</b>	Wide dynamic range (WDR), manual shutter time, compression, brightness, sharpness, white balance, exposure control, exposure zones, backlight compensation, fine tuning of behavior at low light, rotation, aspect ratio correction, text and image overlay, 3D privacy mask, image freeze on PTZ	<b>Weight</b>	Midspan: EN 60950-1, GS, UL, cUL, CSA, CE, FCC, VCCI, CB, KCC, UL-AR AXIS P5522: 1.9 kg (4.2 lb.), with drop-ceiling mount: 2.3 kg (5.1 lb.) AXIS P5522-E: 2.0 kg (4.4 lb.)
<b>Audio</b>		<b>Included accessories</b>	AXIS T8123 High PoE Midspan 1-port, clear/smoked dome cover, Installation Guide, CD with User Manual, recording software, installation/management tools, Windows decoder 1-user license AXIS P5522: mounting kit for hard and drop ceilings AXIS P5522-E: IP66-rated RJ-45 connector kit
<b>Audio streaming</b>	AXIS P5522: Two-way		
<b>Audio compression</b>	AXIS P5522: AAC-LC 8/16 kHz, G.711 PCM 8 kHz, G.726 ADPCM 8 kHz Configurable bit rate		
<b>Input/output</b>	AXIS P5522: Requires multi-connector cable (not included) for external microphone or line input, and line output		
<b>Network</b>			
<b>Security</b>	Password protection, IP address filtering, HTTPS encryption*, IEEE 802.1X network access control*, digest authentication, user access log		
<b>Supported protocols</b>	IPv4/v6, HTTP, HTTPS*, SSL/TLS*, QoS Layer 3 DiffServ, FTP, SMTP, Bonjour, UPnP, SNMPv1/v2c/v3 (MIB-II), DNS, DynDNS, NTP, RTSP, RTP, TCP, UDP, IGMP, RTCP, ICMP, DHCP, ARP, SOCKS		

\* This product includes software developed by the OpenSSL Project for use in the OpenSSL Toolkit. ([www.openssl.org](http://www.openssl.org))

More information is available at [www.axis.com](http://www.axis.com)