

# D4F/D4S Series

Indoor 4" Surface / In-ceiling Mount Dome

AV1115/AV1115DN + MPL3312		AV2115/AV2115DN + MPL3312		AV3115/AV3115DN + MPL3312		AV5115/AV5115DN + MPL3312	
D4F-AV1115-3312	In-ceiling	D4F-AV2115-3312	In-ceiling	D4F-AV3115-3312	In-ceiling	D4F-AV5115-3312	In-ceiling
D4S-AV1115-3312	Surface	D4S-AV2115-3312	Surface	D4S-AV3115-3312	Surface	D4S-AV5115-3312	Surface
D4F-AV1115DN-3312	In-ceiling	D4F-AV2115DN-3312	In-ceiling	D4F-AV3115DN-3312	In-ceiling	D4F-AV5115DN-3312	In-ceiling
D4S-AV1115DN-3312	Surface	D4S-AV2115DN-3312	Surface	D4S-AV3115DN-3312	Surface	D4S-AV5115DN-L3312	Surface



The **D4F/D4S Series** is Designed to House Arecont Vision's **Compact H.264 MegaVideo®** Megapixel Cameras with the **MPL3312 Vari-Focal lens**.

Surface Mount or Flush Mount Configurations with **1.3, 1080p, 3 & 5MP Resolution**

### Arecont Vision Advantages:

- Easy installation and superior design perfect for indoor application
- Cost Efficiency solution
- 2-axis gimbal for camera positioning
- In-ceiling mount dome and surface mount dome option
- Black Color Chassis option
- Superior Image Quality

Specification sheets subject to change without notice

Made in USA



**Model Numbers:**

**AV1115/AV1115DN + MPL3312**

D4F-AV1115-3312	In-ceiling
D4F-AV1115DN-3312	In-ceiling
D4S-AV1115-3312	Surface
D4S-AV1115DN-3312	Surface

**AV2115/AV2115DN + MPL3312**

D4F-AV2115-3312	In-ceiling
D4F-AV2115DN-3312	In-ceiling
D4S-AV2115-3312	Surface
D4S-AV2115DN-3312	Surface

**AV3115/AV3115DN + MPL3312**

D4F-AV3115-3312	In-ceiling
D4F-AV3115DN-3312	In-ceiling
D4S-AV3115-3312	Surface
D4S-AV3115DN-3312	Surface

**AV5115/AV5115DN + MPL3312**

D4F-AV5115-3312	In-ceiling
D4F-AV5115DN-3312	In-ceiling
D4S-AV5115-3312	Surface
D4S-AV5115DN-3312	Surface

Note: For black chassis add -B

**Mechanical:**

- Housing material:  
Acrylonitrile Butadiene Styrene (ABS) Plastic
- Dome Cover Protection:  
Acrylic (PMMA)
- Color:  
Beige  
Black (-B)
- Mounting Type:  
D4F ( in-ceiling mount)  
D4S ( Surface Mount)

**D4F In-Ceiling Mount Dome dimension:**

- Bubble Cover:  
Diameter: 4 inch (101 mm)  
Height: 2 inch (51.7mm)
- Housing:  
Diameter: 6 inch (156 mm)  
Height: 4.9 inch (124 mm)
- Weight w/o camera:  
0.64 lbs(0.29kg)
- Weight w camera and MPL3312  
1.16 lbs(0.525kg)

**D4S Surface Mount Dome dimension:**

- Bubble Cover:  
Diameter: 4 inch (101.3 mm)  
Height: 2.9 inch (51.7mm)
- Housing:  
Diameter: 4.7 inch (118.5 mm)  
Height: 3.8 inch (95.4 mm)
- Weight w/o camera:  
0.47 lbs(0.215kg)
- Weight w/ camera and MPL3312  
0.98 lbs(0.445kg)

**Environmental:**

- Operating temperature -5°C (23°F) to +45°C (113°F)

**Compatible Lens:**

- MPL3312:
  - F1.4, 3.3-12mm, 1/2.5" optical format
  - Horizontal FOV:

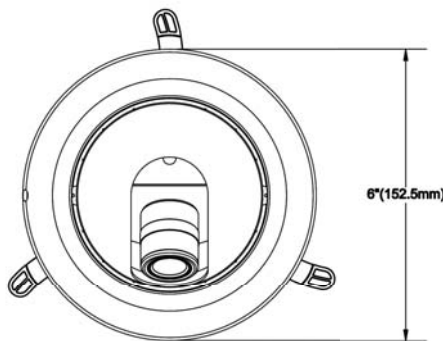
	AV1115	AV2115	AV3115	AV5115
3.3mm	61°	92°	75°	95°
12mm	21°	31°	25°	32°

**Compatible Cameras:**

- AV1115,AV1115DN,AV2115,AV2115DN
- AV3115, AV3115DN, AV5115, AV5115DN

\*Please see specific camera data sheets for imaging & electrical specifications

**D4F Series**



**D4S Series**

