

MAIN FEATURES

Indoor / Outdoor

Side opening, easy camera servicing

Weatherproof standard IP66/IP67

Different mounting options: standard bracket or cable management bracket or P&T

Integrated heater

DESCRIPTION

Stylish technopolymer housing, PUNTO has been designed to optimize the spaces. Its dimensions make it suitable for a variety of combinations of cameras and lenses. Thanks to the side opening, the accessibility to the camera, lens and all its connections is made far easier.

The front is designed to offer protection from UV rays and atmospheric agents. The weatherproof feature is ensured by the neoprene-rubber gasket and by the two cable glands.

PUNTO proposes various mounting options: wall or ceiling brackets (feedthrough and non-feedthrough) or Pan & Tilt head.

Sunshield and camera power supply are available as accessories.



PUNTO



PUNTO + SUNSHIELD



PUNTO + WBOVA2

AVAILABLE MODELS

Code	Only housing	With WBOVA2 bracket	115/230Vac heater	24Vac heater
HOT39D1A000	•		•	
HOT39D2A000	•			•
HOT39D1A085		•	•	
HOT39D2A085		•		•

PUNTO

TECHNICAL DATA

GENERAL

Entirely constructed from technopolymer
 RAL9002 Colour
 Stainless steel external screws
 Supplied with instruction manual, desiccant bag, accessories for camera and lens mounting

MECHANICAL

2xM16 cable glands
 Glass window (WxH): 60/95x63mm (2.4/3.7x2.5in)
 Internal usable area (WxH): 70x70mm (2.7x2.7in)
 Internal usable length with and without accessories: 250mm (9.8in)

ELECTRICAL

Heater Ton 15°C±3°C (59°F ±5.4°F) Toff 22°C±3°C (71.6°F ±5.4°F)
 • IN 24Vac, 50/60Hz 1.5Amax
 • IN 115Vac, 50/60Hz 0.5Amax
 • IN 230Vac, 50/60Hz 0.25Amax

ACCESSORIES

OHOTS Sunshield
 OHOTPS1 Wide range camera power supply IN 100-240Vac - OUT 12Vdc, 1A
 OHOTPS2 Camera power supply IN 230Vac - OUT 24Vac, 400mA

BRACKETS AND ADAPTORS

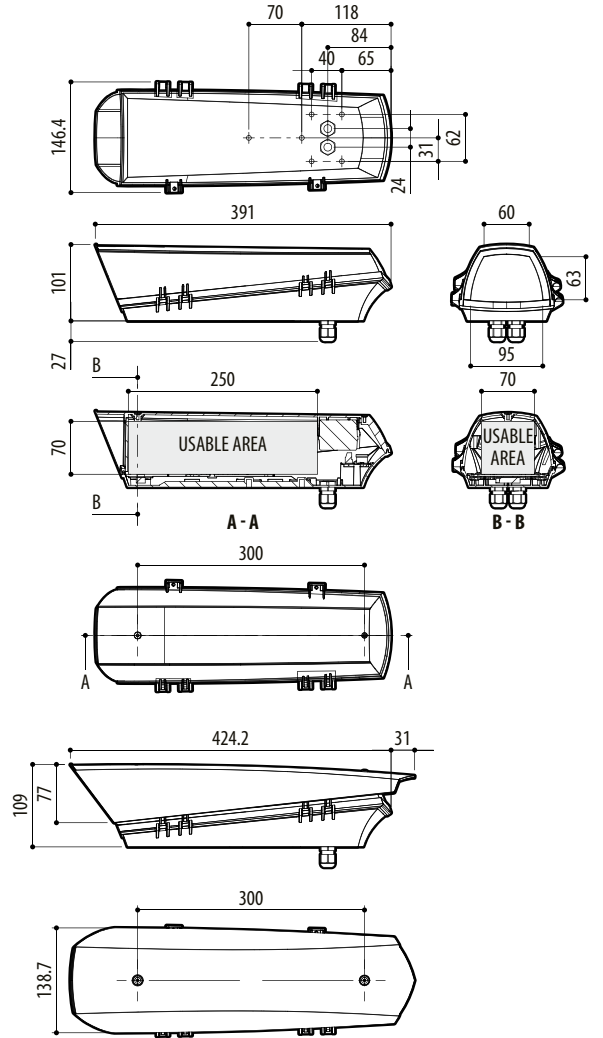
WBJA Wall bracket with ball joint
 WBOVA2 Wall bracket with internal cable channel

ENVIRONMENT

Indoor / Outdoor
 Operating temperature with heater: -20°C / +60°C (-4°F / +140°F)
 Very good resistance to the following chemical agents: basics, alcohols, gasses, hydrocarbon
 Good resistance: organic and inorganic acids, oils
 Low resistance: solvents

CERTIFICATIONS

CE EN61000-6-3, EN60950-1, EN50130-4
 IP66/IP67 EN60529



PUNTO

mm 1:10

PACKAGE

Code	Unit weight		Package weight		Package dimensions (WxHxL)		Master carton
	kg	lb	kg	lb	cm	in	unit
HOT39D1A000	0.6	1.3	0.8	1.8	41.5x11.5x16.5	16.3x4.5x6.5	-
HOT39D1A085	1.2	2.6	1.5	3.3	41.5x20x15.5	16.3x7.9x6.1	-
OHOTS	0.3	0.7	0.5	1.1	48.5x10x16.5	19.1x3.9x6.5	-