

- Sturdy supports with internal cable channel
- Adapters for different installation requirements
- Reinforced heater



DBH06

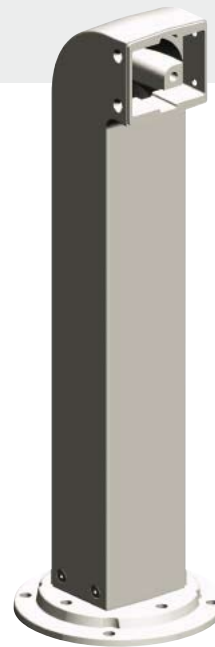
**DBH06** • Wall bracket with cable management for DBH18, made of aluminium and painted with epoxy-polyester powder, RAL 9002.

**DBH07** • Ceiling/parapet bracket with cable management for DBH18 dome, made of aluminium and painted with epoxy-polyester powder, RAL 9002.

**DBH08** • Linear extension for DBH07 made of aluminium.

**DBH09** • Rotating plate for DBH07 made of aluminium and stainless steel.

**ODBH18K1– ODBH18K2** • Reinforced heater for low temperature applications. This system, easy to install inside the MEDUSA housing, permits the heat to be uniformly distributed.



DBH07



DBH08



DBH09

## TECHNICAL DATA

### GENERAL

#### Supports

Made by die-cast aluminium

Epoxypolyester powder painting, RAL9002 colour

#### Heater kit

Operating temperature with reinforced heater kit: -30°C / +50°C [-22°F / +122°F] (only with adapters ODBH18H / ODBH18V series and with camera/lens with operating temperature down to -10°C [14°F])

### PART NUMBER

**ODBH18K1** Reinforced fan-assisted heater 115/230Vac

**ODBH18K2** Reinforced fan-assisted heater 12Vdc/24Vac

**DBH06** Cable management wall mount

**DBH07** Cable management ceiling / parapet mount

**DBH08** Linear extension for DBH07

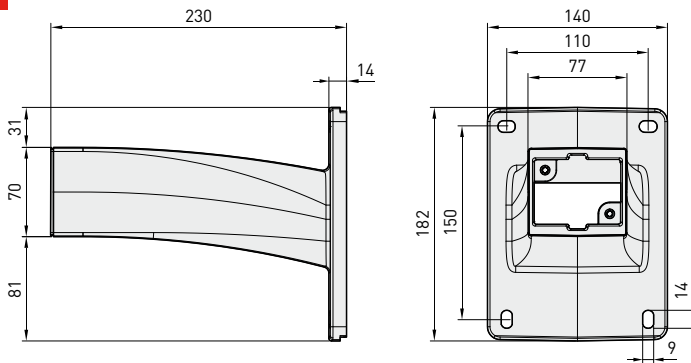
**DBH09** Rotating plate for DBH07

### RELATED PRODUCTS

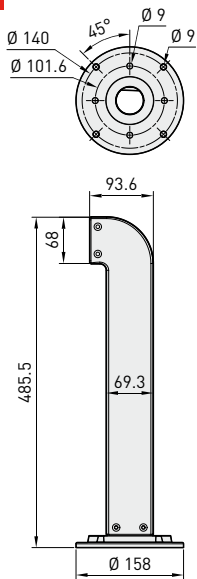
**PTCC1** Pole adapter for DBH06

**WCWGC** Corner adapter for DBH06

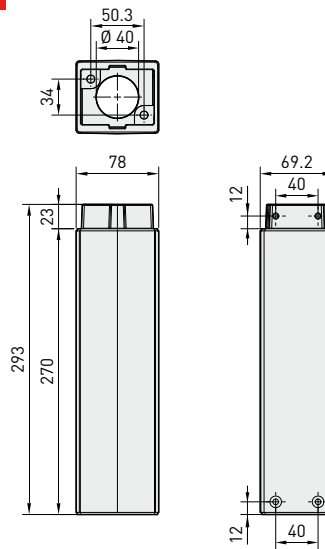
#### DBH06



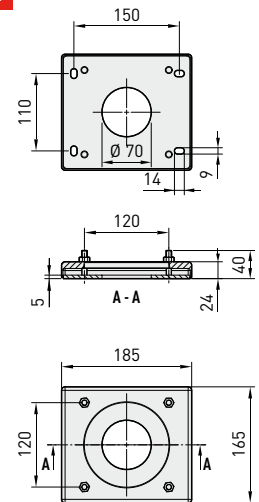
#### DBH07



#### DBH08



#### DBH09



The values are in millimeters.

|  | Unit Weight:                 | Package Weight: | Package Dimensions (BxHxL): | Master Carton: |
|--|------------------------------|-----------------|-----------------------------|----------------|
|  | <b>DBH06:</b> 1.14kg / 3.1lb | <b>DBH06 -</b>  | <b>DBH06 -</b>              | <b>DBH06 -</b> |
|  | <b>DBH07:</b> 5kg / 11lb     | <b>DBH07 -</b>  | <b>DBH07 -</b>              | <b>DBH07 -</b> |
|  | <b>DBH08:</b> 3kg / 6.6lb    | <b>DBH08 -</b>  | <b>DBH08 -</b>              | <b>DBH08 -</b> |
|  | <b>DBH09:</b> 3kg / 6.6lb    | <b>DBH09 -</b>  | <b>DBH09 -</b>              | <b>DBH09 -</b> |