

## TYPE 2010 CAMERA HOUSING

**Description** The Type 2010 housing comprises a stylish pressure die cast enclosure, sized to suit the current range of CCD cameras with fixed focus lenses, plus wall bracket with cable management system. The equipment has been designed to provide weatherproof protection in an attractive package using the most modern manufacturing methods, which is reflected in its very competitive price.



### Build Options:

**/L** = Keylock

**/F** = Internal fan

**/D** = Dustproof

**/ATS** = Anti tamper switch

### Key features:

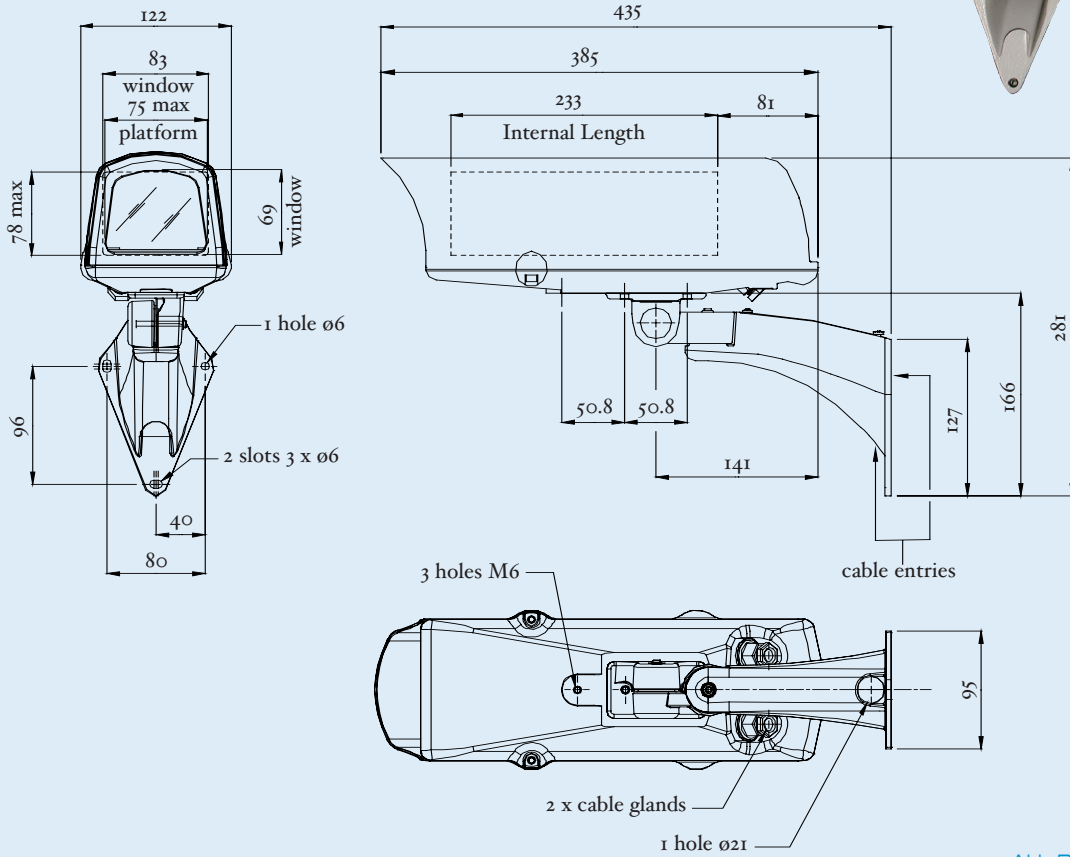
- Attractive styling
- Pressure die cast aluminium alloy construction
- 'O' ring seal
- Fused input terminal block
- Cable management bracket assembly
- Keylock option
- Multiple voltage option
- Weatherproof to BS.EN.60529 level IP66

# Dennard

**FOR FURTHER INFORMATION or TO ORDER** call +44(0)1252 614884  
or go to [www.dennard-cctv.com](http://www.dennard-cctv.com) or email: [sales@dennard-cctv.com](mailto:sales@dennard-cctv.com)

# 4

TYPE 2010 CAMERA HOUSING



ALL DIMENSIONS IN mm

SPECIFICATION

Material	Pressure die cast aluminium alloy
Finish	Powder coated and stoved
Weight	2.2kg
Heater voltage	12V to 24V or 110V to 230V
Power consumption	6 W



Dennard Ltd 55 Fleet Road Fleet Hants GU51 3PN

T. +44(0)1252 614884 F. +44(0)1252 626013 email: sales@dennard-cctv.com



The information contained in this document is for guidance only. Specification and availability of the goods are subject to change without notice.