

6 5 4 3 2 1

D

D

C

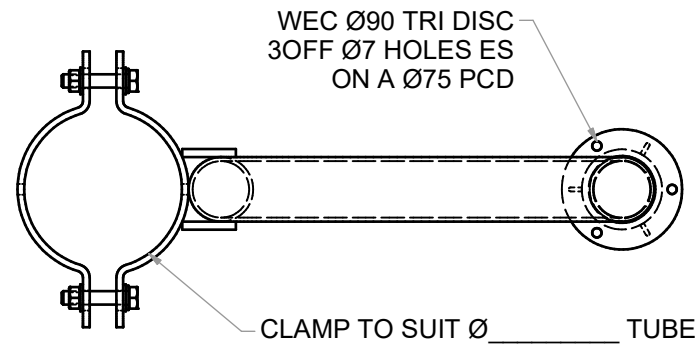
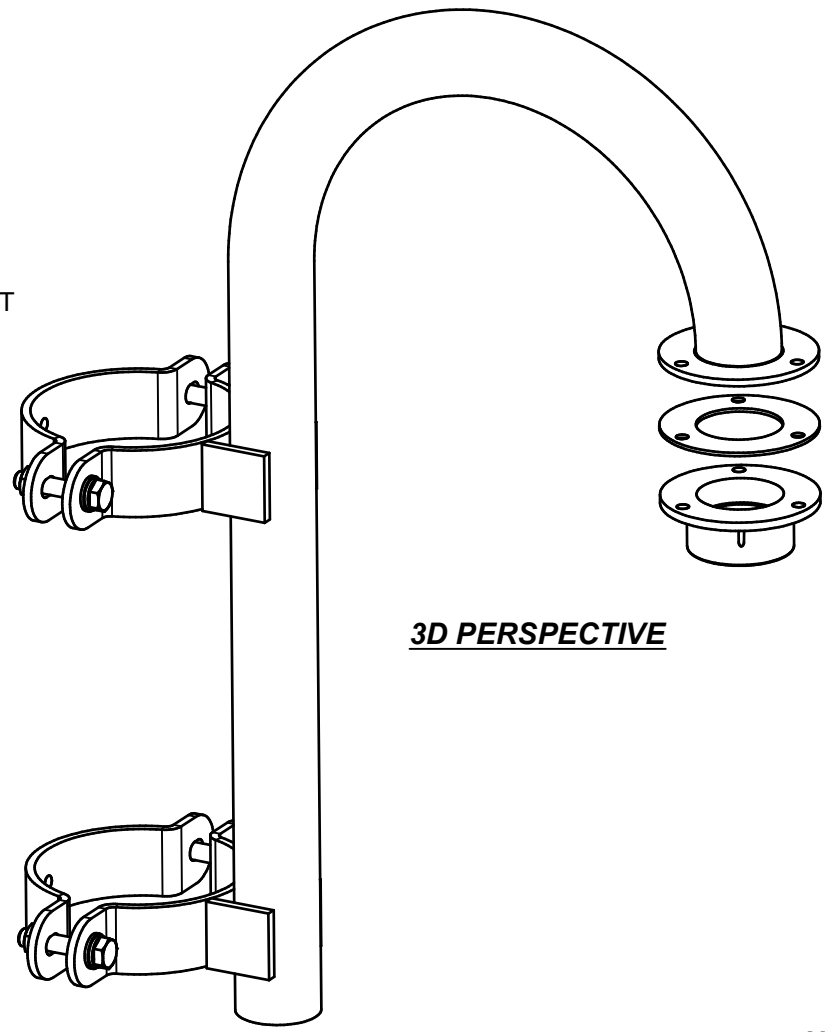
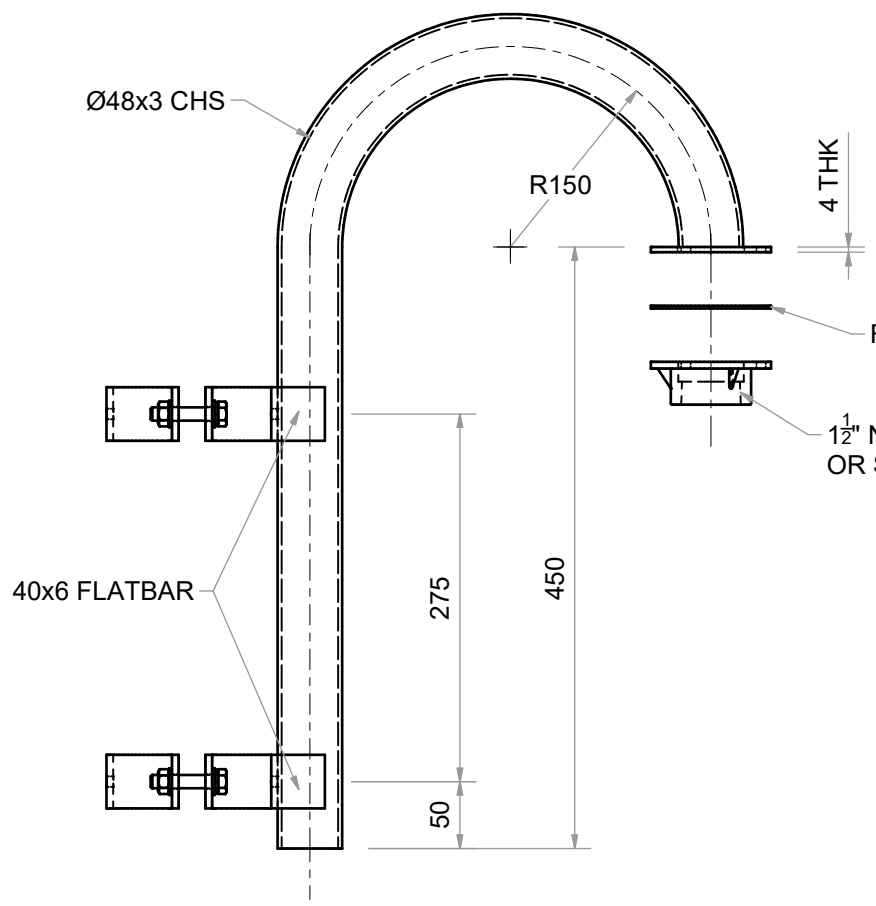
C

B


B

A

A



**NOTES:**  
 ALL MATERIAL: MILD STEEL S235min  
 FINISH: GALVANISED BS EN ISO 1461:2009

DRAWN BY: <b>J.Keen</b>		TITLE: SNAP Bracket			
		CUSTOMER: DO NOT SCALE IF IN DOUBT ASK			
DATE: 06/03/2020	DIMENSIONS: MM	<b>CCTV</b>	DRAWING No:	ISSUE:	SIZE
PROJECTION: 1ST ANGLE			060320/JK1	00	<b>A3</b>
			SHEET 1 OF 1		

This drawing / document is copyright and sole property of WEC Group Ltd. Therefore as such the contents may not either in whole or in part be passed to a third party without first obtaining permission from WEC Group Ltd.

6 5 4 3 2 1