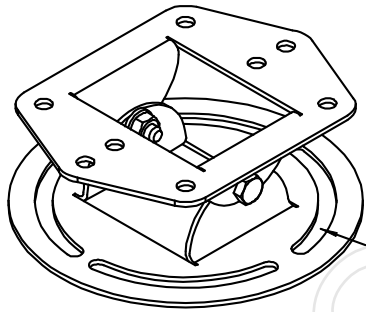
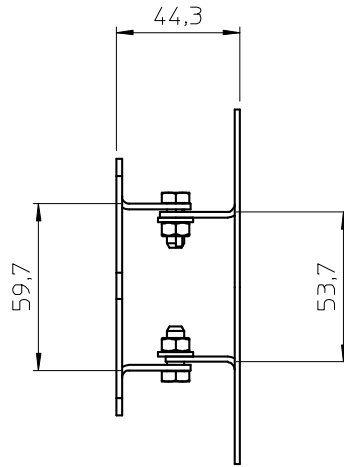
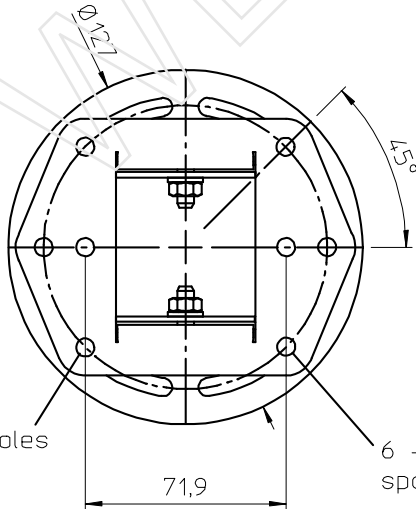


3D Perspective

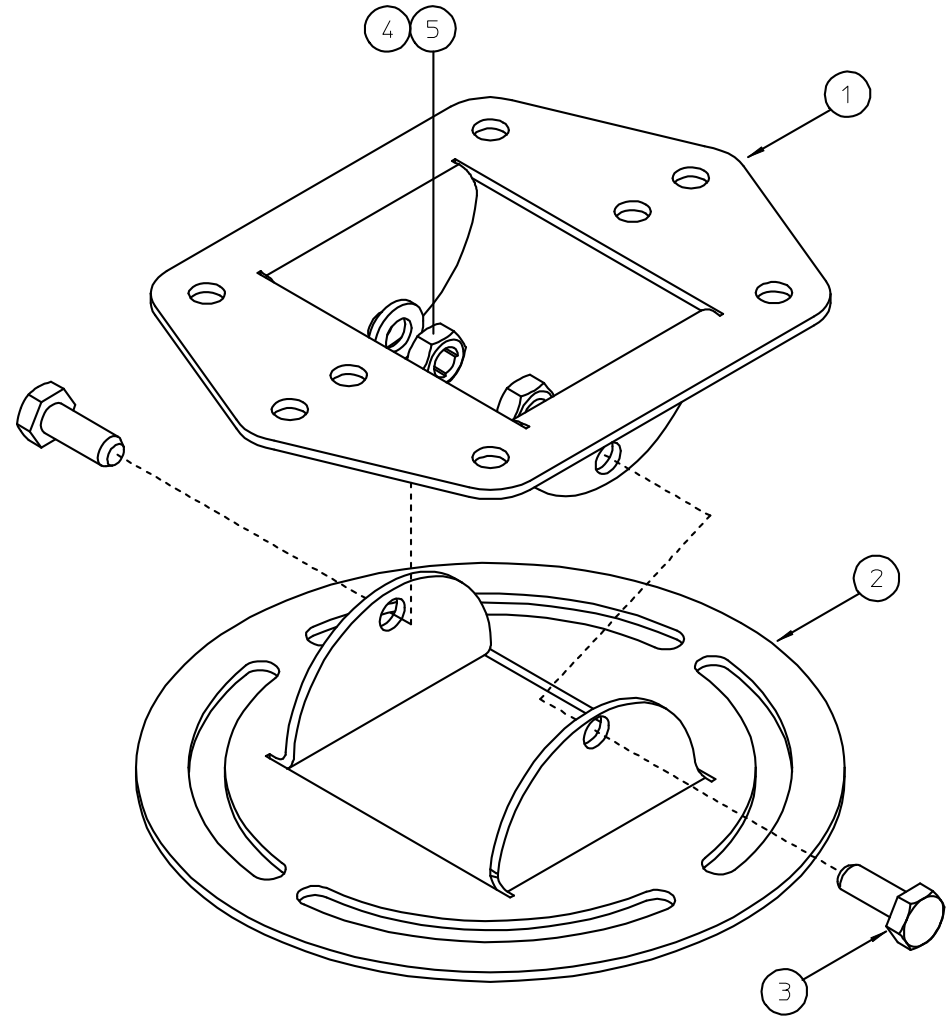


4 Radial Slots 8.5wide, Equi-spaced on 101.6 PCD



2 - Ø6.5 Holes

6 - Ø6.5 Holes, Equi-spaced on 101.6 PCD



Exploded view of assembly

Introduced for CCTV trading division of WEC Group Ltd.

Item	Part No	Description	Laser Ref	Material	Qty
1	WEC-001-1459-A	Top Swivel	QP027057B	2 thk.St.St.	1 off
2	WEC-001-1459-B	Btm Swivel	QP027057C	2 thk.St.St.	1 off
3	Stock Item	M6x16 Hex.Hd.	—	St. Steel	2 off
4	Stock Item	M6 plain washer	—	St. Steel	2 off
5	Stock Item	M6 Nyloc Nut	—	St. Steel	2 off

1ST ANGLE PROJ		UNITS- mm	CUSTOMER	JOB / ORDER NUMBER	
DIMENSION TOL'CE	ANGLE TOL'CE	MATERIAL	TREATMENT OR FINISH		
GENERAL SURFACE FINISH	SCALE 1:2	ASSEMBLY No.	No. OFF PER ASSY.		PART No.
DESCRIPTION				DRAWING No.	
Assy & Detail 1SA Swivel Mount Universal				WEC-001-1459-0	
DRAWN D. Kay		CHECKED	DATE 7 Feb 06	SUPERSEDES	
WELDING ENGINEERING LTD, BRITANNIA HOUSE, JUNCTION STREET, DARWEN, LANCASHIRE BB3 2RB. TEL: (01254) 773718 FAX: (01254) 873637					
ALL RIGHTS STRICTLY RESERVED. REPRODUCTION OR ISSUE TO THIRD PARTIES IN ANY FORM WHATSOEVER IS NOT PERMITTED WITHOUT WRITTEN AUTHORITY FROM THE PROPRIETORS.					

A3