

# Network Camera

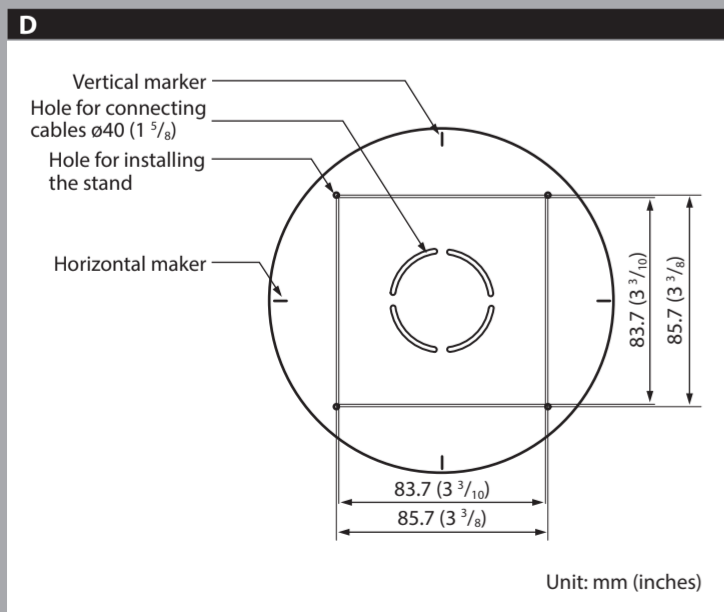
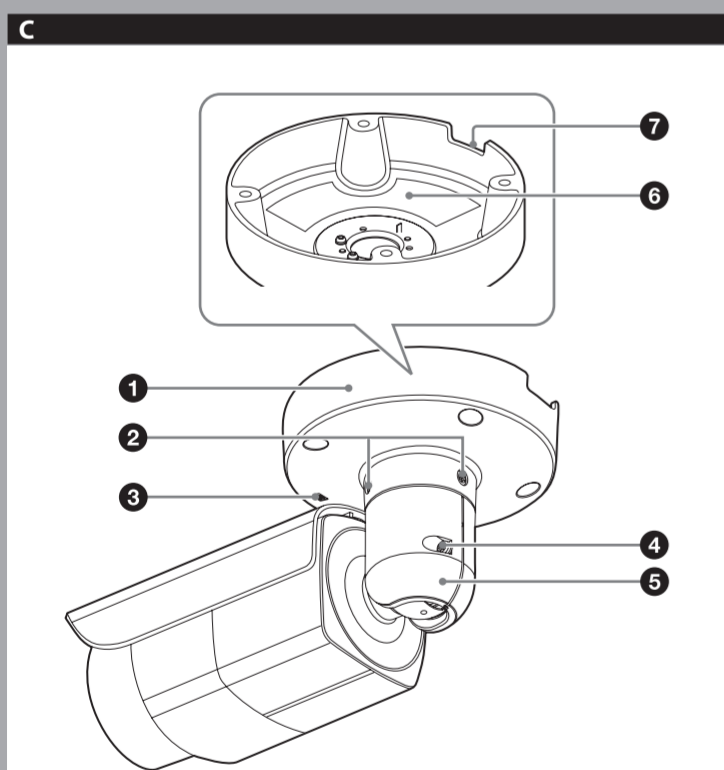
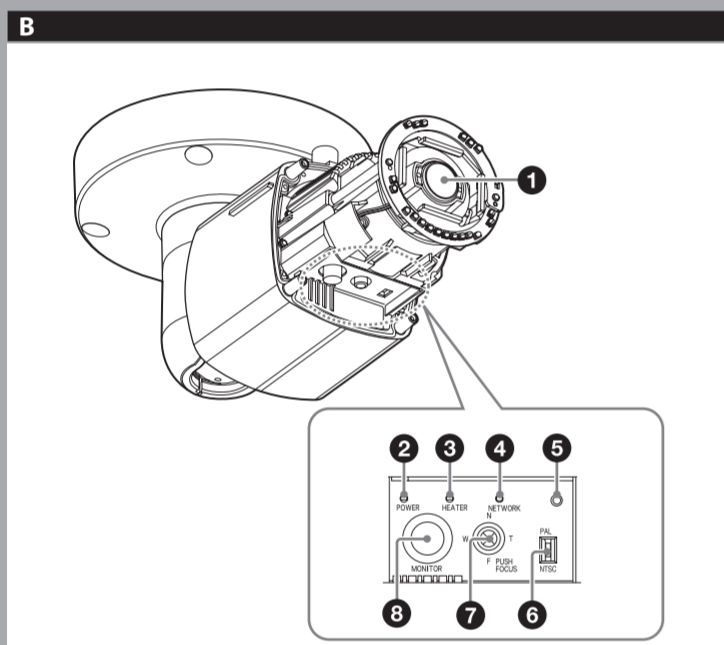
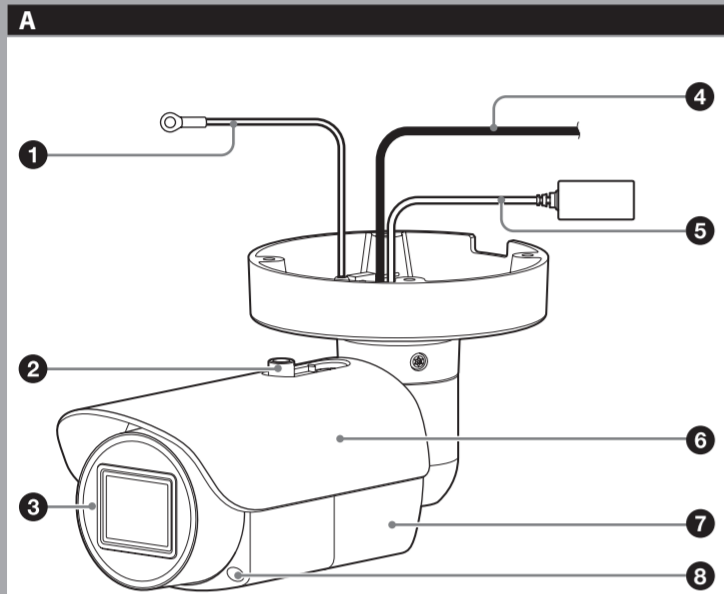
## Installation Manual

Before operating the unit, please read this manual thoroughly and retain it for future reference.

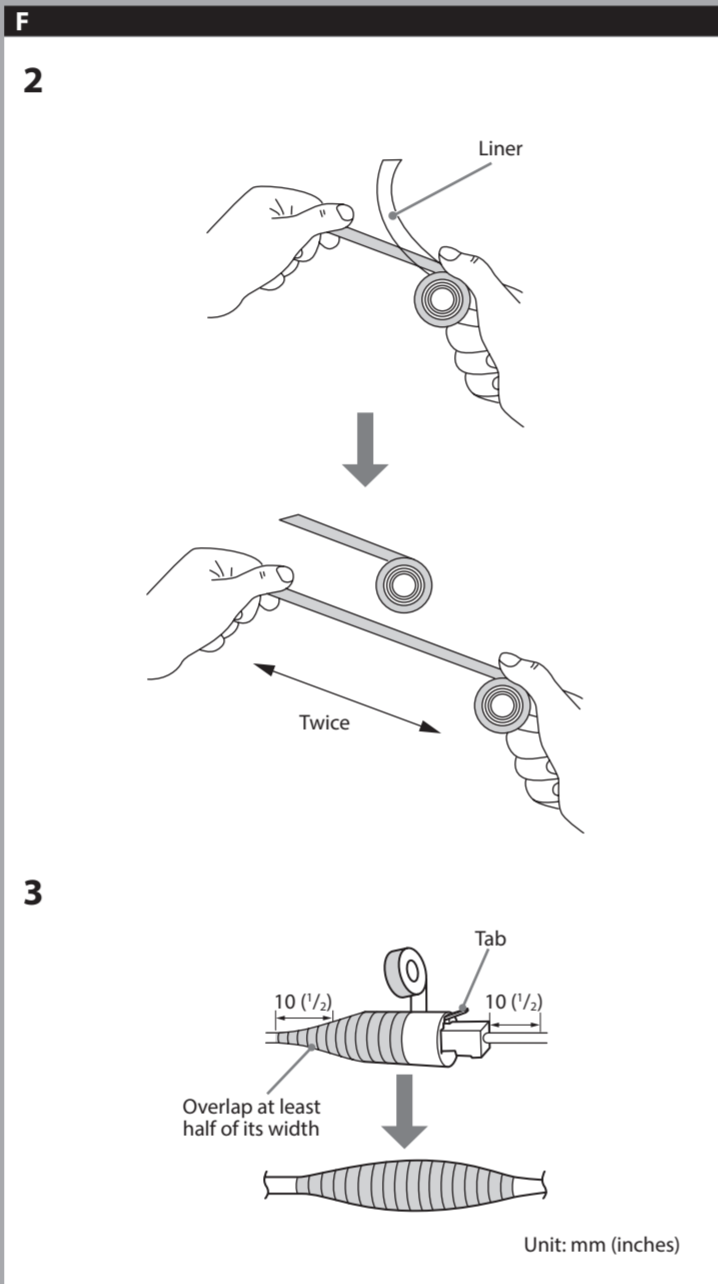
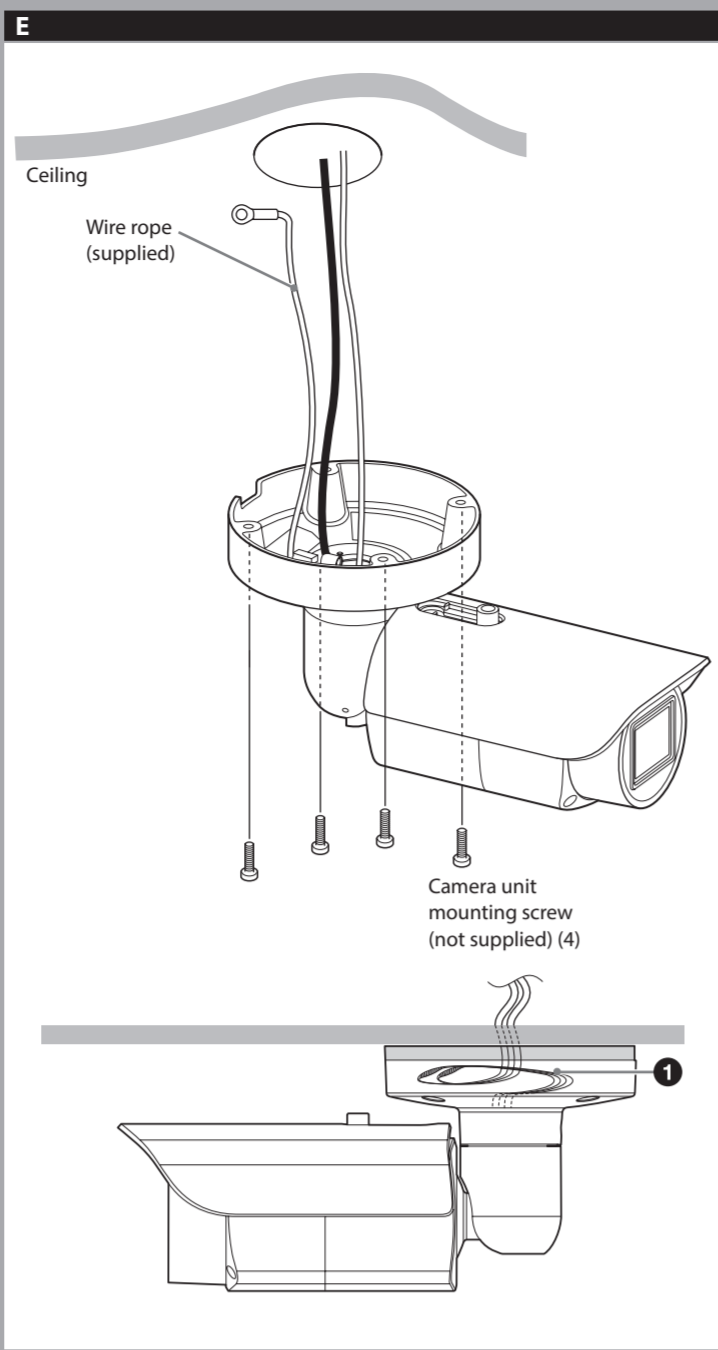
SNC-EB602R/EB632R

IPELA

© 2014 Sony Corporation Printed in China



Unit: mm (inches)



### About the Manuals

#### Installation Manual (this document)

This Installation Manual describes the names and functions of parts and controls of the Network Camera, gives connection examples and explains how to set up the camera. Be sure to read the Installation Manual before operating.

#### SNC easy IP setup Guide (stored in the CD-ROM)

#### User's Guide/Application Guide (Web)

The User's Guide describes how to set up the camera and how to control the camera via a Web browser. After installing and connecting the camera correctly, operate referring to this User's Guide.

### Using the Software

The supplied CD-ROM includes the setup program for assigning an IP address. The information for how to set up an IP address is also included in the disc in PDF format.

User's Guide and Application Guide can be downloaded from the disc, or the following URL:  
<http://www.sony.net/ipela/snc>

### Using the CD-ROM manual

The manual can be read on a computer with Adobe Reader installed. You can download Adobe Reader free from the Adobe website.

- 1 Open the index.html file in the CD-ROM.
- 2 Select and click on the manual that you want to read.

#### Note

If you have lost or damaged the CD-ROM, you can purchase a new one from your Sony dealer or Sony service counter.

Adobe and Acrobat Reader are trademarks of Adobe Systems Incorporated in the United States and/or other countries.

### Assigning the IP address

Assign the IP address using the setup program in the supplied CD-ROM. For details on how to set up the IP address, see SNC easy IP Setup Guide.

### Location and Function of Part

#### Front

- 1 Wire rope  
When installing the camera on the ceiling or the wall, make sure to attach the supplied wire rope.
- 2 Sun shield nut
- 3 Front cover

- 4 Ground wire  
Ground the camera when you install it.

- 5 LAN cable (RJ-45)  
Connect this cable to a hub or computer on the 10BASE-T or 100BASE-TX network using a commercially available network cable (UTP, category 5).

#### Note

Take care not to trap the cables between the camera and the ceiling or the wall. If the cable is trapped, it may cause a fire or electric shock due to breaking.

- 6 Sun shield  
The sun shield can be adjusted horizontally up to 26 mm (1 1/8 inches), as required.

- 7 Camera
- 8 Front cover screw (four positions)

#### Inside

- 1 Lens
- 2 POWER indicator (Green)  
When the power is supplied to the camera, the camera starts checking the system. If the system is normal, this indicator lights up.
- 3 HEATER indicator (Green)  
The indicator lights up in green when the built-in heater is working normally.
- 4 NETWORK indicator (Green/Orange)  
The indicator lights up or flashes when the camera is connected to the network. The indicator is off when the camera is not connected to the network.
- 5 Reset switch  
To reset the camera to the factory default settings, hold down this switch with a point and supply the power to the camera.
- 6 VIDEO (NTSC/PAL) switch (Initial setting: NTSC)  
Switches the video output.  
After setting the switch, reboot the camera unit.
- 7 ZOOM/FOCUS switch  
Use this switch to adjust lens' zoom and focus. Slide the switch lever to select the desired function.  
[W] WIDE: Zoom out  
[T] TELE: Zoom in  
[N] NEAR: Focus on a nearby subject  
[F] FAR: Focus on a distant subject  
Hold down the center of the ZOOM/FOCUS switch for a moment to focus automatically.
- 8 MONITOR output jack  
Connect this jack to a video input connector of a video monitor. You can adjust the camera or lens while looking at the image on the video monitor. After adjusting the camera or lens, disconnect the cable.

#### Back

- 1 Base stand
- 2 Base screw (two positions)
- 3 TOP mark
- 4 Arm screw
- 5 Arm
- 6 Rating label  
Shows the name of this camera and its electric rating.
- 7 Water drain  
When installing the unit on a wall, make sure this water drain is not sealed.

### Installation

#### WARNING

- If you attach the camera in the height such as the wall or the ceiling, etc., entrust the installation to an experienced contractor or installer.
- If you install the camera at a height, ensure that the installation location and its material are strong enough to withstand a weight of 15 kg (33 lb 11 oz) or more, and then install the camera securely. If the ceiling is not strong enough, the camera may fall and cause serious injury.
- Do not pull on any cables forcefully, as a connection may become loose.
- To prevent the camera from falling, make sure to attach the supplied wire rope.
- If you attach the camera to the ceiling, check periodically, at least once a year, to ensure that the connection has not loosened. If conditions warrant, make this periodic check more frequently.

### Deciding the Installation Location of the Camera

After deciding the direction in which the camera will shoot, make the required hole (ø40 mm (1 7/8 inches)) for the connecting cables using the supplied template. Then decide the four mounting hole positions to install the bracket.

#### Mounting screws

The camera stand is provided with four ø4.5 mm (1/16 inches) mounting holes. Install the camera stand on a ceiling or wall with screws through four mounting holes: The required mounting screws differ depending on the installation location and its material. (Mounting screws are not supplied.)

**Steel wall or ceiling:** Use M4 bolts and nuts.

**Wooden wall or ceiling:** Use M4 tapping screws. The panel thickness must be 15 mm (5/8 inches) or more.

**Concrete wall:** Use anchors, bolts and plugs suitable for concrete walls.

**Junction box:** Use screws to match the holes on the junction box.

#### WARNING

The required mounting screws differ depending on the installation location and its material. If you do not secure the camera with the appropriate mounting screws, the camera may fall off.

### Installing the Camera

- 1 Pass the LAN cable and the ground wire through the hole for connecting cables made at the installing surface.
- 2 Fix the wire rope to the wall or ceiling.
- 3 Install the camera on the wall or ceiling.  
The remaining cable can be incorporated in the space between the base stand and the mounting surface. (E-1)  
Insert the four screws in the screw holes on the camera stand, and then tighten the screws to attach the camera.  
When installing the camera on the wall, be sure the TOP mark on the camera stand is at the top.  
Refer to "Mounting screws" in section D for screw to be used.

#### Notes

- If you install the camera unit on a ceiling, take adequate waterproofing measures to prevent water seepage into the stand.
- When installing the unit on a wall, make sure the water drain is not sealed.

### Notes on waterproofing of cable connection area

Despite the fact that this unit is rated IP66, the cables and/or the connectors join to the outside are not waterproof. To prevent water ingress from the cables and/or the connectors, waterproof them with the supplied waterproof tape as follows. Otherwise, there may be a risk of water entering through the cables and/or the connectors and shorting the unit or the connectors.

- 1 Connect the LAN cable and the ground wire.
- 2 To obtain optimal waterproofing, tear off the liner before wrapping, then stretch the tape to twice its original length.  
If it is not fully stretched, the waterproofing function of the tape can not be achieved.
- 3 Overlap the tape at least half of its width when wrapping.

#### Notes

- Do not press the network cable tab down when wrapping it.
- Make sure at least 10 mm (1/2 inches) of the wire part is wrapped.

- 4 After wrapping, squeeze the tape with your fingers at the overlapping parts so that layers are airtight and fully adhered.

(continued overleaf)

## G

**1**

Back hole  
Sun shield nut  
Sun shield

**2**

Sun shield nut  
Sun shield

**3,4,5,6,7**

Base screw  
Arm screw

ZOOM/FOCUS switch

**Wrench (supplied)**

For fixing the front cover screw  
For fixing the base screws/arm screw

## H

**1,2**

TOP mark  
Rubber gasket  
Boss (four positions)

**3**

Sun shield nut  
Sun shield

Sun shield nut  
Sun shield

## 4

**Correct**

Camera unit Front cover

The waterproof rubber gasket fits in the groove properly.

After installing the front cover, the gap between the front cover and the camera unit is even.

**Wrong**

Detached  
Uneven gap  
Uneven gap  
Foreign matter stuck

## I

**1**

**2**

**3**

**4**

## J

Ceiling  
LAN cable  
Network cable (straight, not supplied)  
10BASE-T/  
100BASE-TX  
PoE supported device (such as a hub)

## K

Unit: mm (inches)

## Adjusting the Camera Direction and Coverage

If the MONITOR output jack is used, adjust the camera direction and coverage as described from steps 1 to 8.  
When viewing the image with the LAN cable, adjust the camera direction and coverage as described from steps 3 to 5.

- 1 Fully loosen the sun shield nut until the sun shield can be slid to the front end (when the nut is located at the back hole of sun shield slide slot), and take off the sun shield.**
- 2 Loosen the four front cover screws with the supplied wrench, and take off the front cover.**
- 3 First loosen the two base screws with the supplied wrench, then loosen the arm screw.**  
To fine adjust, only loosen the arm screw.
- 4 Adjust the camera to turn the lens in the desired direction.**
- 5 First tighten the two base screws with the supplied wrench, then tighten the arm screw (tightening torque: 2.0 N·m).**
- 6 Adjust the zoom by the ZOOM/FOCUS switch (W/T).**
- 7 Hold down the center of the ZOOM/FOCUS switch for a moment to focus automatically.**
- 8 Repeat steps 3 to 7 until the coverage and the focus are determined.**

**Notes**

- When adjusting the camera direction and coverage, do not touch the front cover waterproof rubber gasket to prevent it from being contaminated, detached or damaged. Otherwise, water enters the camera.
- If you cannot achieve satisfactory focus by holding down the ZOOM/FOCUS switch due to the shooting environment, slide the ZOOM/FOCUS switch level to N/F to focus manually.
- Do not turn off this unit as soon as the focus is adjusted. Turn off after five minutes have passed since the focus was adjusted.
- Distortion might be observed in images shot outside the specified optical area.

## Attaching the front cover and the sun shield

- 1 Check if the waterproof rubber gasket is contaminated, detached or damaged.**
- 2 Align the four front cover screw holes with the bosses on the camera. Make sure the TOP mark on the front cover is at the top, then tighten the four screws with the supplied wrench to secure the front cover. (tightening torque: 0.4 N·m)**
- 3 Align the back hole of sun shield slide slot with the sun shield nut to install the sun shield, adjust the sun shield to the desired position, then tighten the sun shield nut manually.**  
Adjust the sun shield position as follows:
  - Loosen the sun shield nut manually.  
Do not loosen the sun shield nut too much, to prevent it from sliding to the back hole of sun shield slide slot.
  - Adjust the sun shield to the desired position horizontally.
  - Tighten the sun shield nut manually to secure the sun shield.

**Notes**

- Make sure the waterproof rubber gasket is clean and fits in the groove properly. After installing the front cover, make sure the gap between the front cover and the camera unit is even. Make sure there is no uneven gap or foreign matter stuck on the gasket. Otherwise, water enters the camera. (H-4)
- Poor focus may also be caused by the front cover assembly. Readjust the focus using the system menu.  
For details, refer to the User's Guide of the equipment.
- When adjusting the factory-set position of the sun shield forward, the sun shield or dark vignetting may be observed in the upper sides of the images. Also, the image quality will be reduced when the IR LED is operating.

## Important precautions

Despite the fact that this unit is rated IP66, this section includes important precautions to prevent any malfunction caused by condensation and/or water ingress. Read the precautions below thoroughly before installing the unit.

- Make sure that the cables and/or connectors of the unit that join to the ones of the installation surface are waterproofed, before you install the unit. Otherwise, there may be a risk of water entering the unit through these cables.
- Make sure to waterproof the cables and/or connectors with the supplied waterproof tape as stipulated in this manual. Otherwise, there may be a risk of water entering and shorting the unit. For details, see "Notes on waterproofing of cable connection areas" in the front page.
- Install the camera stand on an even ceiling, wall, etc.

### When installing the unit in an inverted position (on a ceiling, for example)

- Install the unit in a waterproof box or on a waterproof ceiling to prevent water entering the unit along the cables. Alternatively, seal the hole which is made for the connecting cables at the installing surface. (I-1)
- Cover all around the joint part of the installing surface and the camera stand with sealant to prevent water ingress. (I-2)

### When installing the unit in a vertical position (on a wall, for example)

- Make sure the TOP mark on the camera stand is at the top. (I-3)
- Cover all around the joint part of the installing surface and the camera stand (except the water drain I-4) with sealant to prevent water ingress.

**Notes on assembly**

- Make sure the cable and the wire rope do not get caught between the base stand and the mounting surface.
- Before attaching the front cover to the camera unit, make sure the waterproof rubber gasket is clean and fits in the groove properly.

## Connection

### Connecting to the Network

Connect the LAN port of the camera to a router or hub in the network using a commercially available network cable (not supplied).

### Connecting the Power Source

Power supply equipment pursuant to IEEE802.3af (PoE\* system)  
\*PoE means Power over Ethernet.

**Note**  
Do not turn off the camera immediately after turning it on. Wait for at least five minutes before turning off the camera.

### Connecting to the power supply equipment pursuant to IEEE802.3af

The power supply equipment pursuant to IEEE802.3af supplies the power through a commercially available network cable. For details, refer to the Instruction Manual of the equipment.

## Specifications

Compression	
Video compression format	JPEG/H.264
Audio compression format	G.711/G.726/AAC
Maximum frame rate	30 fps
Camera	
IR LED	10 pcs (SNC-EB602R)/20 pcs (SNC-EB632R)
IR working distance	SNC-EB602R: 25 m (50 IRE) SNC-EB632R: 30 m (50 IRE)
Signal system	NTSC color system/PAL color system (switchable)
Image device	SNC-EB602R 1/3type CMOS (Exmor) Effective picture elements: Approx. 1,370,000 SNC-EB632R 1/2.9type CMOS (Exmor) Effective picture elements: Approx. 2,140,000
Synchronization	Internal synchronization
Horizontal resolution	SNC-EB602R: 600 TV lines (analog video) SNC-EB632R: 700 TV lines (monitor display ratio 4:3)
Minimum illumination	F1.2/View-DR Off/VE* Off/Auto gain control maximum rate MAX/50 IRE (IP)/30 fps SNC-EB602R Color: 0.05 lx Black & White: 0 lx (IR ON) SNC-EB632R Color: 0.10 lx Black & White: 0 lx (IR ON)
*VE stands for Visibility Enhancer.	
Lens	
Focal length	3.0 mm to 9.0 mm
Maximum relative aperture	F1.2 ~ F2.1
View angle	SNC-EB602R: 1280 × 1024 (aspect ratio 5:4) Vertical: 73.1° to 25.5° Horizontal: 92.9° to 31.8° SNC-EB632R: 1920 × 1080 (aspect ratio 16:9) Vertical: 56.9° to 20.1° Horizontal: 105.3° to 35.6°
Minimum object distance	300 mm

Interface	
LAN port (PoE)	10BASE-T/100BASE-TX, auto negotiation (RJ-45)
Others	
Power supply	IEEE802.3af compliant (PoE system)
Power consumption	SNC-EB602R: 10.0 W SNC-EB632R: 11.4 W
Operating temperature	Start temperature: -20°C to +50°C (-4°F to +122°F) Working temperature: -30°C to +50°C (-22°F to +122°F) -20°C to +60°C (-4°F to +140°F)
Storage temperature	-30°C to +50°C (-22°F to +122°F)
Operating humidity	20% to 90%
Storage humidity	20% to 95%
Dimensions (diameter/height)	93 mm × 93 mm × 160.9 mm (3 3/4 inches × 3 3/4 inches × 6 3/8 inches), not including the projecting parts Approx. 1,450 g (3 lb 3 oz)
Mass	Approx. 1,450 g (3 lb 3 oz)
Supplied accessories	CD-ROM (supplied programs) (1), Template (1), Wrench (1), Installation Manual (this document) (1 set), Safety Regulations (1 set), Waterproof tape (1)

Design and specifications are subject to change without notice.

**Recommendation of Periodic Inspections**  
In case using this device over an extended period of time, please have it inspected periodically for safe use. It may appear flawless, but the components may have deteriorated over time, which may cause a malfunction or accident.  
For details, please consult the store of purchase or an authorized Sony dealer.