



SBP-156WMW

Wall Mount



Key Features

- Material : Aluminum
- Color : White
- Dimensions :135(W) x 183(H) x 302(D)mm (5.31 x 7.20 x 11.89")

SBP-156WMW

Wall Mount

Specifications

Mechanical

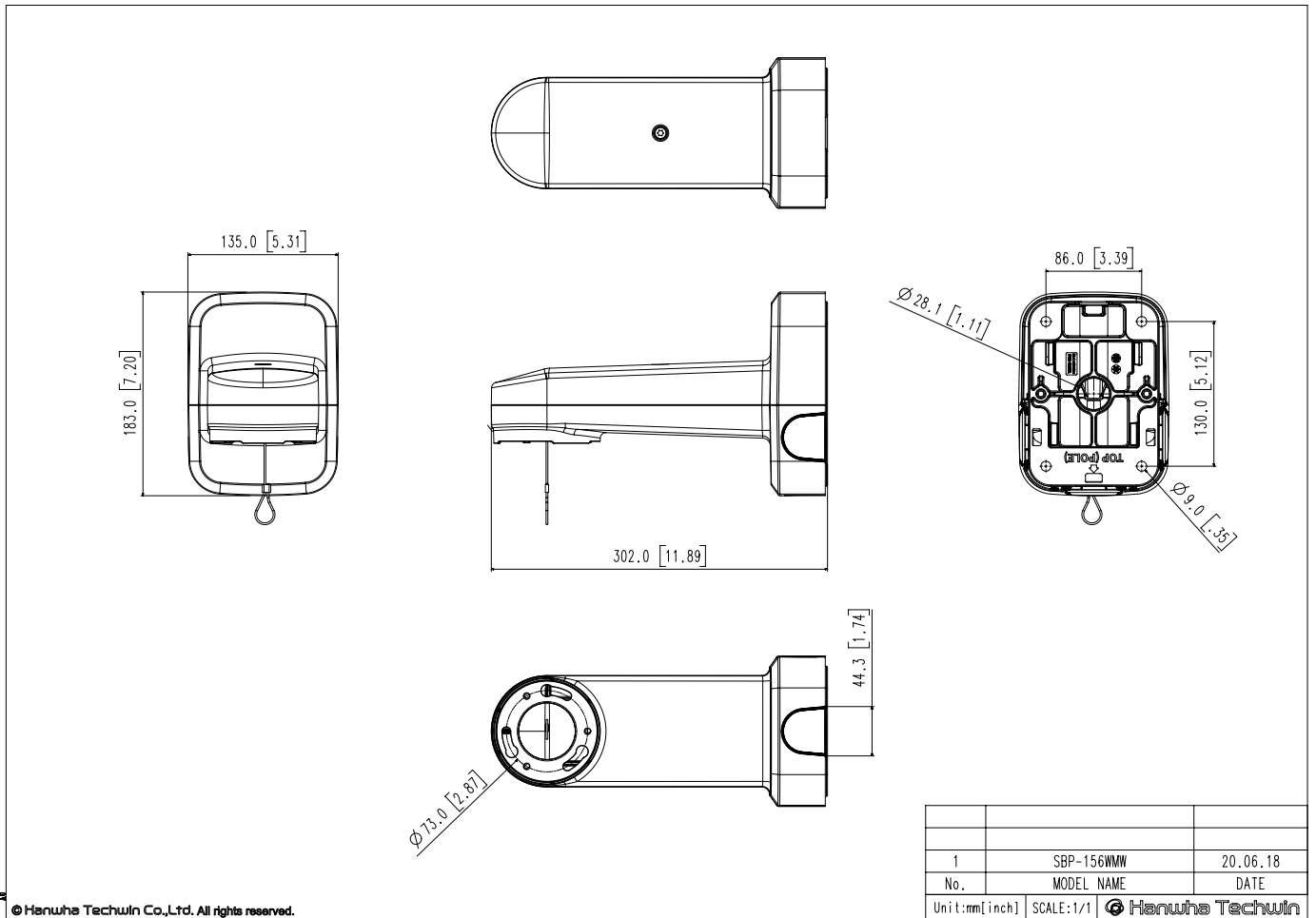
Color	White
Material	Aluminum
RAL code	RAL9003
Product dimensions / weight	135(W)x183(H)x302(D)mm (5.31x7.20x11.89"), 1517g(3.34lb)
Supported products	XNP-9300RW/XNP-8300RW/XNP-6400RW ※ For further compatible models, please visit our website or use Toolbox

SBP-156WMW

Wall Mount

CAD

Unit: mm [inch]



© Hanwha Techwin Co.,Ltd. All rights reserved.