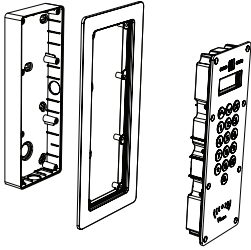


Entry

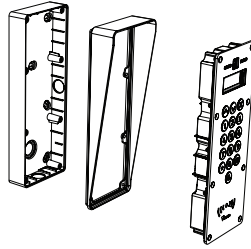




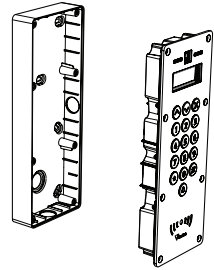
337-400



337-410



337-420



M4 x 16 mm



x8

M5 x 38 mm



x7

35 mm (2-3/8)



x7



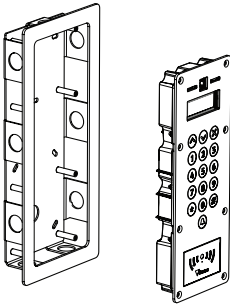
x1



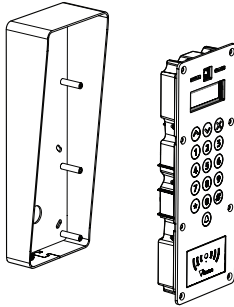
x1



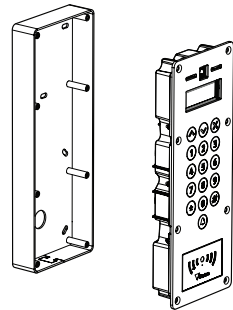
337-500



337-510



337-520



M4 x 16 mm



x8

M5 x 38 mm



x7

35 mm (2-3/8)



x7



x1

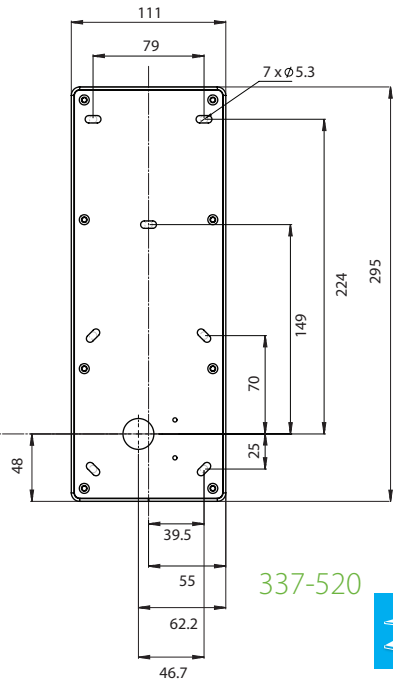
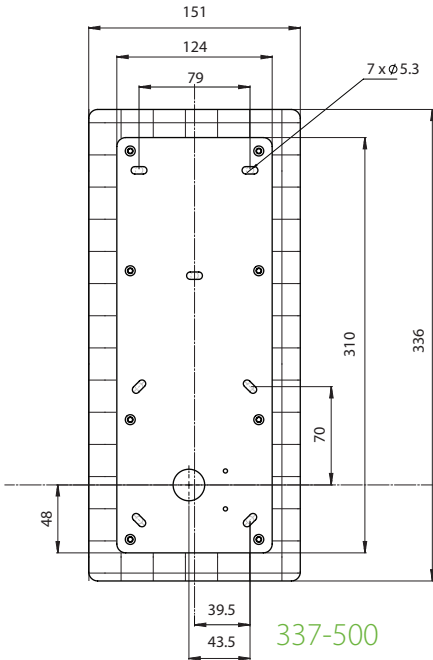
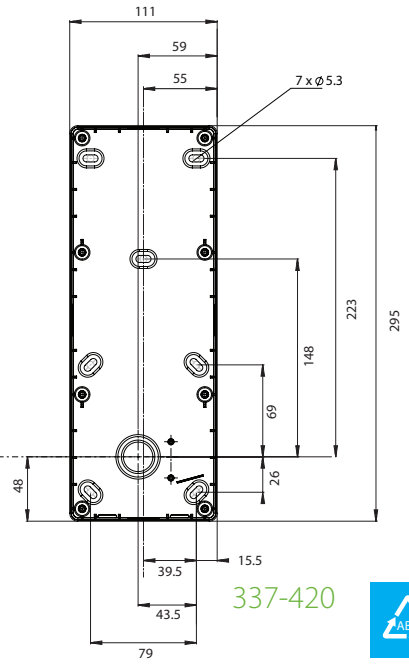
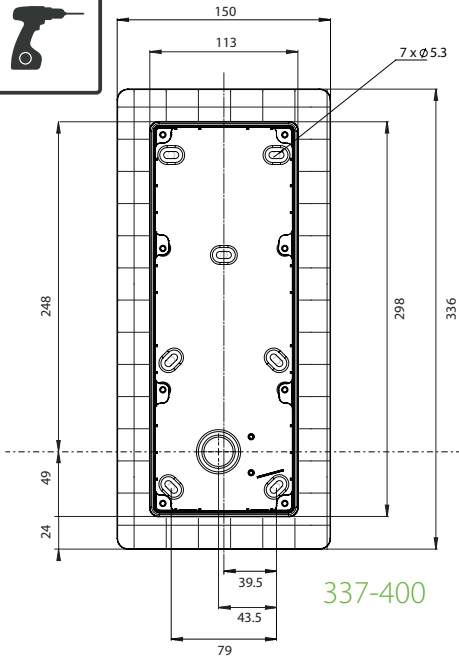


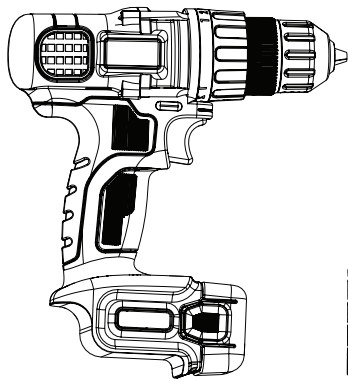
x1



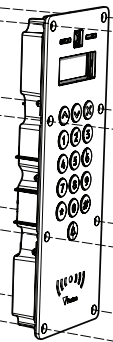
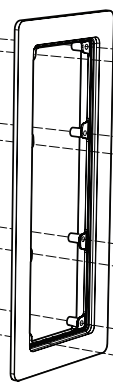
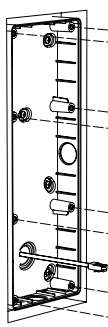
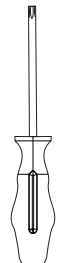
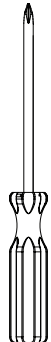
x1



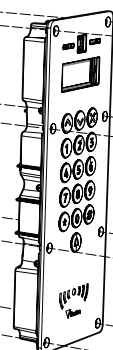
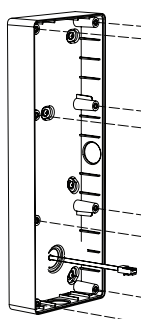




8 mm

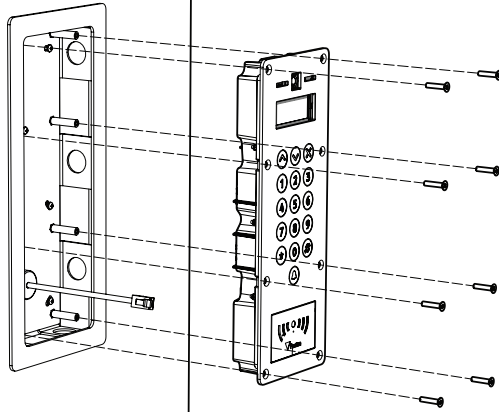


337-400

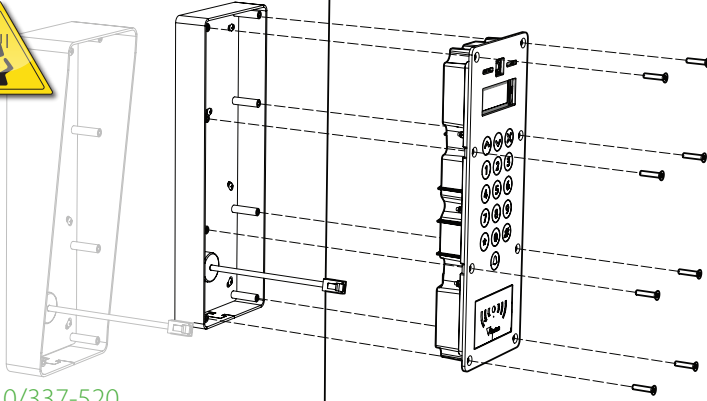


337-410/337-420

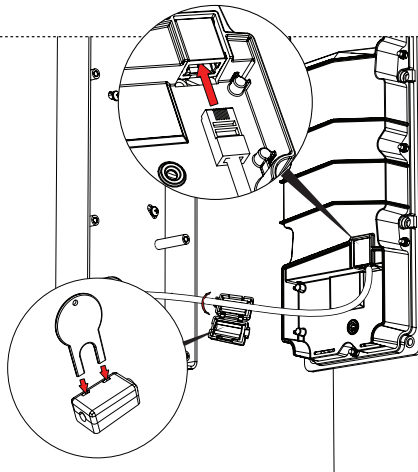


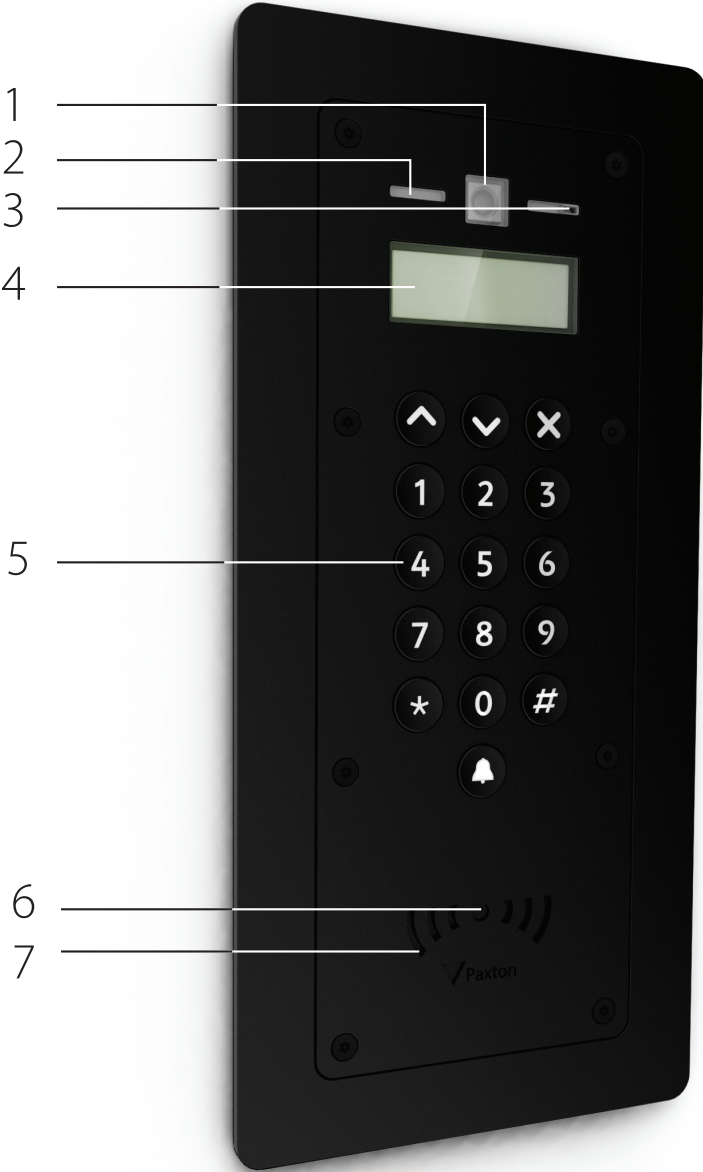


337-500


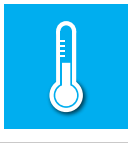





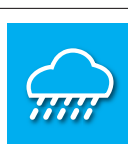
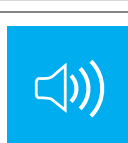



337-510/337-520



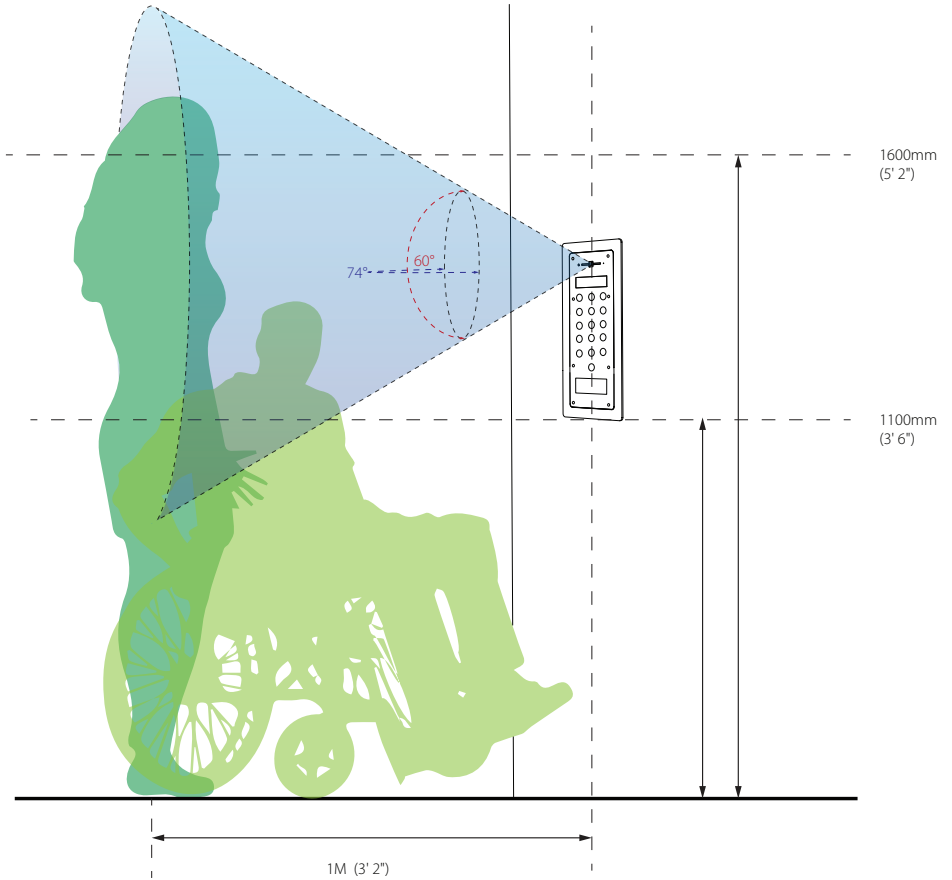
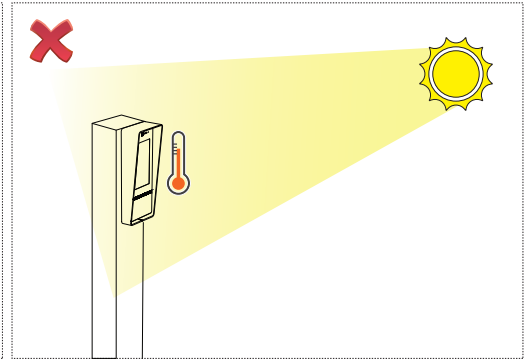
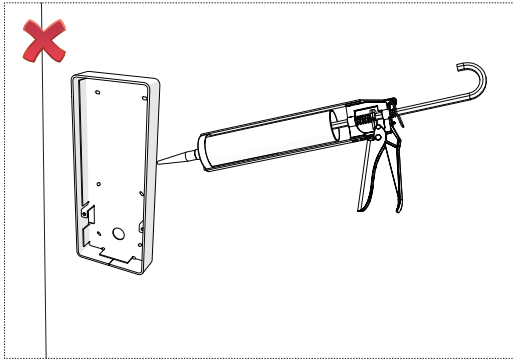




	≤ 100
PoE 802.3af	12.95W
	$\begin{array}{r} 0^{\circ}\text{C} \quad +49^{\circ}\text{C} * \\ 32^{\circ}\text{F} \quad +120^{\circ}\text{F} * \\ \hline -20^{\circ}\text{C} \quad +55^{\circ}\text{C} \\ -4^{\circ}\text{F} \quad +131^{\circ}\text{F} \end{array}$
	
	
	$\begin{array}{r} 337-420 \\ 337-400 \\ 337-410 \\ \hline 337-520 \\ 337-500 \\ 337-510 \end{array} = \begin{array}{c} \text{X} \\ \text{IK10} \end{array}$
	IP55 IP5X**
	

*- Temperature evaluated by UL.

** - Not evaluated by UL.



UL 293 performance Levels:

Model	Destructive Attack	Line Security	Endurance	Standby Power
Standard Panel Models 337-400, 337-410, 337-420	2	1	4	1++
Vandal Resistant Panels – models 337-500, 337-510, 337-520	2	1	4	1++

++ Level 3 may be achieved when powered from model 337-727 control unit

Ethernet ports may extend beyond 30m if Emerson Network Power Surge Protection Inc., Model No. LCDP-060 is employed on each circuit extending beyond 30m.

Standard Panels -- Models 337-400, 337-410, 337-420, Vandal Resistant Panels – models 337-500, 337-510, 337-520, and monitor--model 337-290 are the only equipment evaluated by UL to be connected to 337-727 for UL 293.

No other PoE equipment to be connected to 337-727. Shielded Ethernet cable to be used for UL 293 installations

The monitor and Net2 monitoring station were not fully evaluated to UL 293 and are for supplemental use.

Ratings:

Product	Input Voltage	Input Current
Standard Panel (Models 337-400, 337-410, 337-420), VR Panel (Models 337-500, 337-510, 337-520),	48VDC PoE from 337-727 only	150mA



Paxton Access Ltd hereby declares that this product is in conformity with all the essential requirements of the Directive 2014/53/EU.

<http://paxton.info/4867>

The full declaration of conformity is provided at: <http://paxton.info/3910>

Contact details are provided at: <http://paxton.info/596>

These products are not suitable for retail sale. All warranties are invalid if these products are not installed by a competent person.

Product compliance and limitations

Wiring methods shall be in accordance with the National Electrical Code (ANSI/NFPA70), local codes, and the authorities having jurisdiction.

This device complies with Industry Canada licence-exempt RSS standard(s). Operation is subject to the following two conditions: (1) this device may not cause interference, and (2) this device must accept any interference, including interference that may cause undesired operation of the device.

This device complies with Part 15 of the FCC Rules. Operation is subject to the following two conditions:

(1) this device may not cause harmful interference, and (2) this device must accept any interference received, including interference that may cause undesired operation. Changes or modifications not expressly approved by the party responsible for compliance could void the user's authority to operate the equipment.

The R.F exposure safe operating distance is 20cm

Conformité et limitations du produit

Les méthodes de câblage doivent être en accord avec le code nation électrique (ANSI/NFPA70), codes locaux et les autorités ayant la juridiction.

Ce dispositif est conforme au(x) standards RSS de l'industrie Canadienne sans-licence. Le fonctionnement est soumis aux deux conditions suivantes : (1) ce dispositif ne doit pas créer d'interférences nuisibles et (2) ce dispositif doit accepter toute interférence reçue, y compris des interférences qui peuvent causer un fonctionnement non souhaité.

Ce dispositif est conforme à la section 15 du règlement de la FCC. Le fonctionnement est soumis aux deux conditions suivantes : (1) ce dispositif ne doit pas créer d'interférences nuisibles et (2) ce dispositif doit accepter toute interférence reçue, y compris des interférences qui peuvent causer un fonctionnement non souhaité. Tout changement ou modification non agréé par la partie responsable de la mise en conformité peut entraîner une interdiction d'utilisation de l'équipement.

La distance de sécurité d'exposition au FR (fréquence Radio) est de 20cm



<https://paxton.info/9909>

