

WV-U2532LA

2MP (1080p) Varifocal Lens Outdoor Dome Network Camera

New U-series compact network camera with enhanced functions and affordability

The new U series is an entry model that achieves high quality and reliability at an affordable price to meet the needs of a wide range of customers.



- 2MP (1080p) up to 30fps
- 2.5x built-in motorized zoom and motorized focus lens
- iA (intelligent Auto)
- Super Dynamic 120dB
- Color night vision (0.006 to 0.1 lx)
- H.265 Smart Coding
- Corridor mode (90 degrees or 270 degrees in image rotation)
- Built-in IR LED
- NDAA Compliant



SPECIFICATIONS

| Camera | |
|---|--|
| Image Sensor | Approx. 1/3 type CMOS image sensor |
| Minimum Illumination | Color : 0.1 lx, BW: 0.04 lx (50IRE, F2.0, Maximum shutter: Off (1/30s), AGC: 11) BW : 0 lx {0 footcandle} (50IRE, F2.0, Maximum shutter: OFF (1/30 s), AGC: 11, when the IR LED is lit) Color : 0.006 lx, BW: 0.0025 lx (50IRE, F2.0, Maximum shutter: max. 16/30s, AGC: 11) |
| White Balance | ATW1/ ATW2/ AWC |
| Maximum Shutter | [30fps mode] Max. 1/10000 s to Max. 16/30 s [25fps mode] Max. 1/10000 s to Max. 16/25 s |
| Intelligent Auto | On / Off |
| Super Dynamic | On / Off, the level can be set in the range of 0 to 31. |
| Dynamic Range | Max.120 dB (Super Dynamic: On, Level: 31) |
| Adaptive Black Stretch | - |
| Back Light Compensation/High Light Compensation | BLC/ HLC/ Off (only when Super Dynamic/ Intelligent auto: Off) |
| Fog Compensation | On / Off, The level can be set in the range of 0 to 8. (only when Intelligent auto / auto contrast adjust: Off) |
| Maximum Gain (AGC) | The level can be set in the range of 0 to 11. |
| Color/BW (ICR) | Off/ On (IR Light Off) / On (IR Light On)/Auto1 (IR Light Off) / Auto2 (IR Light On) / Auto3 (SCC) |
| IR LED Light | High/ Middle/ Low/ Off Maximum irradiation distance: 30 m {Approx. 100 ft} |
| Digital Noise Reduction | The level can be set in the range of 0 to 255. |
| Video Motion Detection (VMD) | On / Off, 4 areas available |
| Scene Change Detection(SCD) | On / Off, 1 areas available |
| Privacy Zone | On / Off (up to 8 zones available) |
| Image Rotation | 0° (Off) / 90° / 180° (Upside-down) / 270° |
| Camera Title (OSD) | On / Off, Up to 20 characters (alphanumeric characters, marks) |
| Lens | |
| Focal Length | 2.9 mm – 7.3 mm {1/8inches-9/32inches} |
| Optical Zoom | 2.5x (Motorized zoom / Motorized focus) |
| Extra optical zoom | 2.5x - 3.8x (when resolution is 1280x720) |
| Digital (electronic) zoom | Choose from 3 levels of x1, x2, x4 |
| Angular Field of View | [16 : 9 mode] Horizontal : 42° (TELE) – 97° (WIDE), Vertical : 23° (TELE) – 54° (WIDE) [4 : 3 mode] Horizontal : 31° (TELE) – 72° (WIDE), Vertical : 23° (TELE) – 54° (WIDE) |
| Maximum Aperture Ratio | 1 : 2.0 (WIDE) – 1 : 3.0 (TELE) |
| Focusing Range | 1 m {39-3/8 inches} – ∞ |
| DORI | |
| Detect (25ppm / 8ppf) | Wide: 36.8 m / 120.8 ft, Tele: 101.5 m / 333.0 ft |
| Observe (62.5ppm / 19ppf) | Wide: 14.7 m / 48.3 ft, Tele: 40.6 m / 133.2 ft |
| Recognize (125ppm / 38ppf) | Wide: 7.4 m / 24.2 ft, Tele: 20.3 m / 66.6 ft |
| Identify (250ppm / 76ppf) | Wide: 3.7 m / 12.1 ft, Tele: 10.1 m / 33.3 ft |

| Adjusting Angle | |
|------------------------------------|---|
| Ceiling Mounting | - |
| Wall Mounting | - |
| Browser GUI | |
| Camera Control | Brightness |
| GUI / Setup Menu Language | English, Italian, French, German, Spanish, Portuguese, Russian, Chinese, Japanese |
| Network | |
| Network IF | 10Base-T / 100Base-TX, RJ45 connector |
| Resolution H.265/H.264 | [16 : 9 mode] 1920×1080, 1280×720, 640×360, 320×180 [4 : 3 mode] 1600×1200, 1280×960, VGA, QVGA |
| H.265/H.264 | [Transmission Mode] Constant bit rate / VBR / Frame rate / Best effort [Transmission Type] Unicast / Multicast [Max. frame rate foreach stream] Stream(1) : 1920x1080(30fps) / 1280x720(30fps) / 1600x1200(30fps) Stream(2) : 640x360(30fps) / 1280x720(30fps) / 640x480(30fps) Stream(3) : Off / Off / Off JPEG(1) : 1920x1080(1fps) / 1920x1080(1fps) / 1600x1200(1fps) JPEG(2) : 1280x720(1fps) / 1280x720(1fps) / 1280x960(1fps) |
| JPEG | [Image Quality] 10 steps |
| Smart Coding | GOP(Group of pictures) control: On(Frame rate control) / On(Advanced) / On(Mid) / On(Low) / Off *Frame rate control and Advanced are only available with H.265. AUTO VIQS: On/ Off |
| Audio Compression | - |
| Audio Transmission Mode | - |
| Supported Protocol | IPv6 : TCP/IP, UDP/IP, HTTP, HTTPS, SSL/TLS, SMTP, DNS, NTP, SNMPv1/v2/v3, DHCPv6, RTP, MLD, ICMP, ARP, IEEE 802.1X, DiffServ, MQTT, LLDP IPv4 : TCP/IP, UDP/IP, HTTP, HTTPS, SSL/TLS, RTSP, RTP, RTP/RTCP, SMTP, DHCP, DNS, DDNS, NTP, SNMPv1/v2/v3, UPnP, IGMP, ICMP, ARP, IEEE 802.1X, DiffServ, MQTT, LLDP |
| No. of Simultaneous Users | Up to 14 users (Depends on network conditions) |
| Secure | Device Certificate GlobalSign® pre-installed, User authentication, Host authentication, HTTPS, 802.1X Support, Data encryption |
| SDXC/SDHC/SD Memory Card (Option) | H.265/H.264 recording: Manual REC / Alarm REC (Pre/Post) / Schedule REC Compatible SDXC/SDHC/SD Memory Card : microSDXC memory card: 64 GB, 128 GB, 256 GB, 512 GB microSDHC memory card: 4 GB, 8 GB, 16 GB, 32 GB microSD memory card: 2 GB |
| Mobile Terminal Compatibility | iPad, iPhone, Android™ terminals |
| ONVIF® Profile | G / S / T |
| Alarm | |
| Alarm Source | VMD alarm, SCD alarm, Command alarm |
| Alarm Actions | SDXC/SDHC/SD memory recording, E-mail notification, HTTP alarm notification Indication on browser, TCP alarm notification output |
| Input/Output | |
| Monitor Output (for Adjustment) | - |
| Audio input/Audio Output | - |
| External I/O Terminals | - |
| General | |
| Safety | UL (UL60950-1), c-UL (CSA C22.2 No.60950-1), CE, IEC60950-1 |
| EMC | FCC (Part15 ClassA), ICES003 ClassA, EN55032 ClassB, EN55035 |
| Power Source and Power Consumption | PoE (IEEE802.3af compliant) Device: DC48 V 140 mA, Approx. 6.7 W (Class 0 device) |

| | |
|-------------------------------|---|
| Ambient Operating Temperature | -30 °C to +50 °C (-22 °F to +122 °F) {Power On range: -20 °C to +50 °C (-4 °F to +122 °F)} |
| Ambient Operating Humidity | 10 to 100 % (no condensation) |
| Anti-Condensation System | Temish element |
| Water and Dust Resistance | IP66 (IEC 60529), Type 4X (UL50E), NEMA 4X compliant |
| Shock Resistance | IK10 (IEC 62262) |
| Dimensions | ø154 mm (W) x 103 mm (H) {ø6-1/16 inches x 4-1/16 inches (H)} Dome radius 42 mm {1-21/32 inches} |
| Mass (Approx.) | 1.0 kg {2.21 lbs.} |
| Finish | Main body: Aluminum die cast/ PC resin, i-PRO white Outer fixing screws: Stainless steel (Corrosion-resistant treatment) Dome cover: Polycarbonate resin, Clear |

NOTES

Important

- Safety Precautions : Carefully read the Basic Information, Installation Guide and Operating Instructions before using this product.
- i-PRO Co., Ltd. cannot be held responsible for the performance of the network and/or other manufacturers' products used on the network.
- Masses and dimensions are approximate.
- Specifications are subject to change without notice.

Trademarks and registered trademarks

- iPad and iPhone are trademarks of Apple Inc., registered in the U.S. and other countries. - Android is a trademark of Google LLC.
- ONVIF is a trademark of ONVIF, Inc.
- All other trademarks identified herein are the property of their respective owners

©i-PRO Co., Ltd All rights reserved / November 2022

OPTIONAL ACCESSORIES

Select a compatible accessory

[Accessory Selector \(i-pro.com\)](http://i-pro.com).



WV-QWL501-W
Mount Bracket



WV-QWL500-W
Mount Bracket



WV-QSR505-W
Sun Shade



WV-QSR501-W
Mount Bracket



WV-QSR500-W
Sun Shade



WV-QPL500-W
Mount Bracket



WV-QJB504-W
Base Bracket



WV-QJB501-W
Base Bracket



WV-QJB500-W
Mount Bracket



WV-QEM500-W
Mount Bracket



WV-QCN500-W
Mount Bracket



WV-QCL501-W
Mount Bracket



WV-QCL101-W
Mount Bracket



WV-QCL100-W
Mount Bracket



WV-QAT501-W
Attachment Pipe
Bracket



WV-QAT500-W
Attachment pipe



WV-Q105A
Mount Bracket



WV-CW7SN
Dome cover

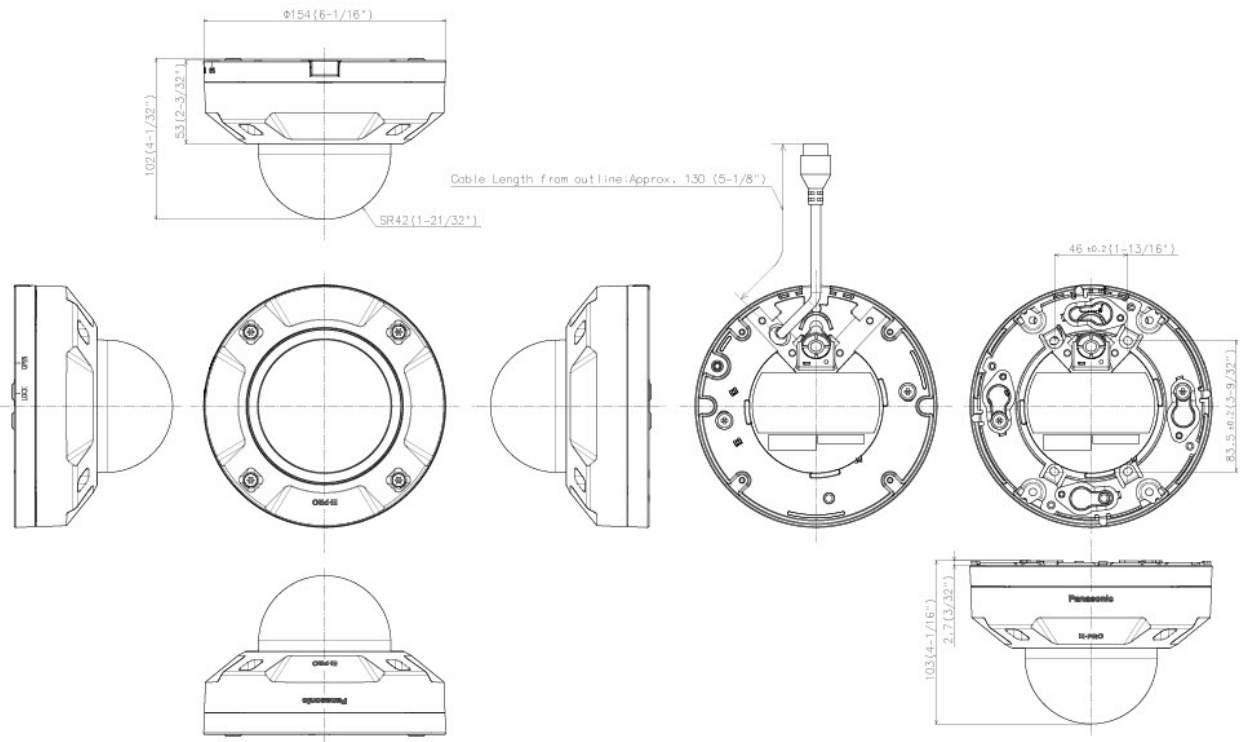


WV-CW7S
Dome cover



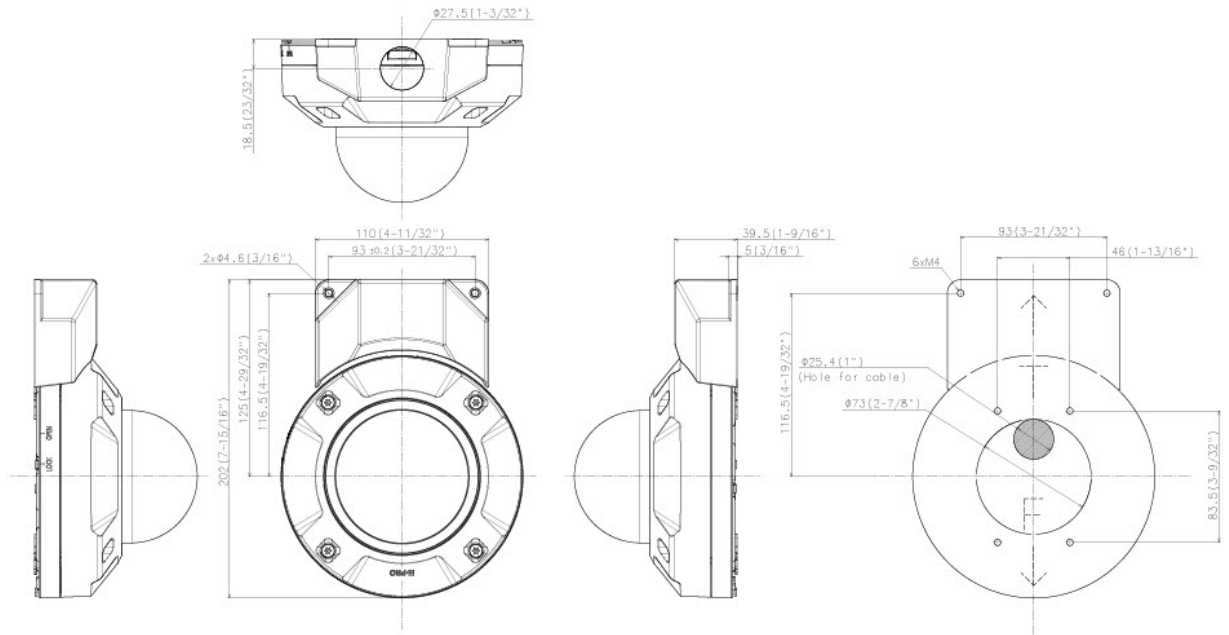
WV-CW7CN
Dome cover

APPEARANCE



投影面積/Projected area
 側面図/Side-view 0.011 (sq2)
 Mass : Approx. 1.0 kg (2.21 lbs) (When using the Attachment plate)

With Attachment plate
 WV-U2532LA

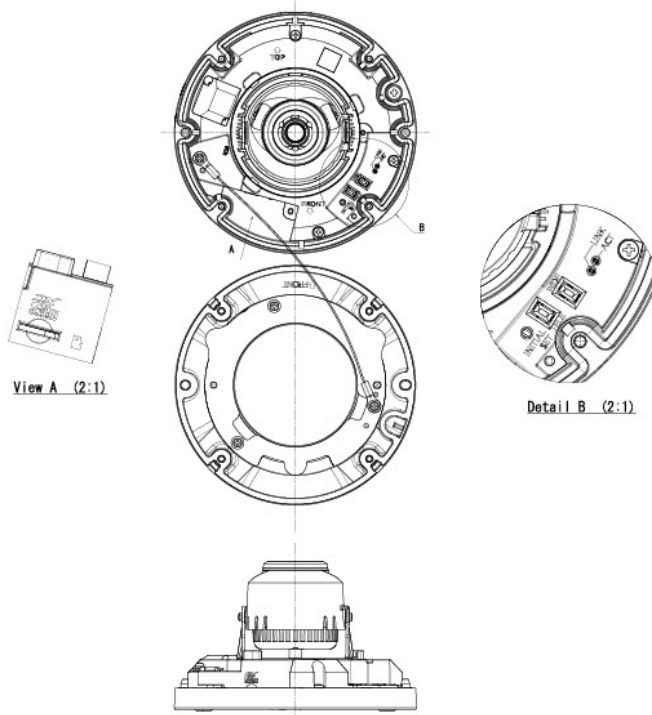


With Attachment for the conduit

Template for mounting

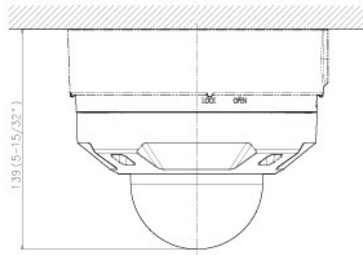
| 側面図/Side-view | 投影面積/Projected area |
|---------------|-------------------------|
| | 0.013 (m ²) |

WV-U2532LA

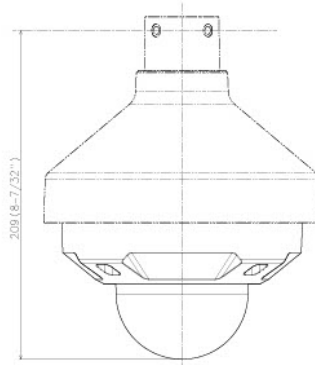


Without Enclosure

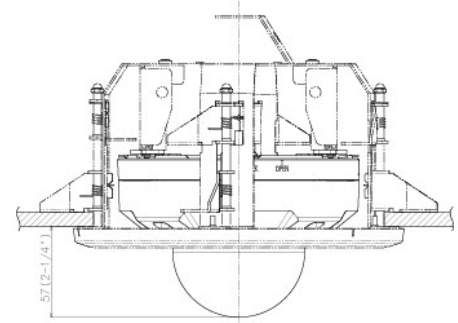
WV-U2532LA



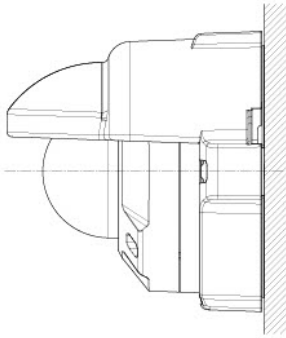
Attach to WV-QJB501-W
 側面圖/Side-view 投影面積/Projected area
 0.017 (m²)



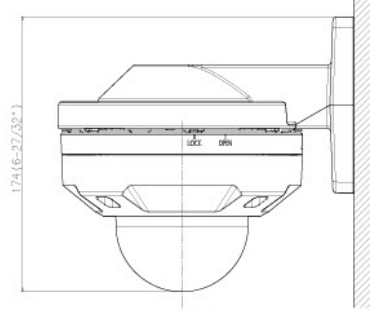
Attach to WV-QSR501-W
 側面圖/Side-view 投影面積/Projected area
 0.021 (m²)



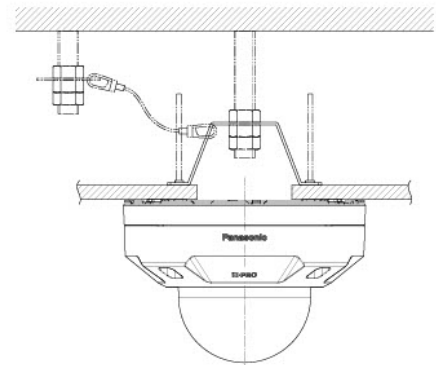
Attach to WV-QEM500-W



Attach to WV-QJB501-W & WV-QSR500-W
 側面圖/Side-view 投影面積/Projected area
 0.021 (m²)



Attach to WV-OWL500-W
 側面圖/Side-view 投影面積/Projected area
 0.019 (m²)



Attach to WV-Q105A

WV-U2532LA