

# 60 SERIES

## HC60WB5R2P-V

## HC60WB5R5P-V



### 5MP AI Outdoor Bullet Camera

**5 YEAR**  
WARRANTY

ONVIF® | S G T M

Honeywell's new and improved 60 Series 5MP AI outdoor bullet cameras now offer LPR with enhanced video/object analytics that highlight intricate details such as license plates, persons, objects, and vehicles. Engineered for exceptional image clarity in low or fluctuating lighting, these rugged cameras serve as a strong visual deterrent and are built to withstand harsh outdoor environments. These cameras feature the latest FIPS 140-3 encryption standard and include expanded local storage capacity of up to 1 TB, making them an ideal solution for enterprise-level deployments where cybersecurity and regulatory compliance are critical.

#### ENHANCED DETECTION AND IMAGING

- Upgraded WDR (up to 140 dB) to significantly reduce image glare
- Increased IR distance (up to 100 m (328 ft))
- P-Iris/DC-Iris and improved minimum illumination (0.007 Lux@30 IRE) provides better image quality in variable or low light conditions
- Improved shutter speed (1/100000 ~ 1/5) allows faster capture of moving subjects, reducing motion blur and producing sharper images
- Enhanced 3D noise reduction eliminates visual noise resulting in crisper details for identifying objects or people in video footage
- Smart IR Technology automatically adjusts to changing light conditions and object distances for better capture of details even in dimly lit or nighttime scenes

#### INTELLIGENT SURVEILLANCE

- New and improved probabilistic AI video object analytics to quickly detect suspicious activities and identify attributes such as faces, vehicles, gender, age, colors of cars or personal attire for faster investigative search
- License Plate Recognition (LPR) - requires additional license (ordered separately)
- Visible bounding boxes with MAXPRO integration
- Supported in the Milestone plugin intelligent search

#### INCREASED OPERATIONAL EFFICIENCY

- System security enhancements with Secure Boot and latest FIPS 140-3 chipset provide secure data integrity and privacy
- Upgraded local storage (up to 1 TB) or 4X the amount of previous models significantly boosts camera data management and retention capacity
- ONVIF Profile M allows analytics metadata and events to be securely and seamlessly integrated within video surveillance systems for better operational decision making
- Enhanced reader interface with Wiegand support
- Built-in PoE eliminates need for separate power supply and associated wiring
- Remote configuration, motorized zoom adjustments and auto-focus can be performed from web client or NVR

#### RUGGED, FLEXIBLE, COMPLIANT

- Built for challenging environments (IP66, IP67, NEMA 4X, TS-2, IK10)
- Flexible wall, pole, or ceiling mount options
- NDAA and NIS2 compliant

#### POTENTIAL APPLICATIONS:

- License Plate Recognition
- Parking Lots / Garages / Access Gates
- Entryways
- Receiving / Loading Docks
- Outdoor Public Areas / Grounds / Campuses / Plazas
- Passenger Terminals / Operations / Maintenance Areas

#### INDUSTRIES:

- Large Commercial Office Buildings
- Manufacturing / Logistics / Warehouses
- Hospitals / Healthcare Facilities
- Schools / Universities
- Stadiums / Event Venues
- Hotels / Hospitality
- Gaming / Casinos
- Airports / Train Stations / Bus Terminals
- Banking
- Datacenters
- Pharma
- Government/Military Installations
- Retail (Big Box)

**Honeywell**

# 60 SERIES-5MP AI OUTDOOR BULLET CAMERA

OPERATIONAL	
RAM	2 Gigabytes
Flash	16 Gigabytes
Video Standard	NTSC / PAL
Scanning System	Progressive
Image Sensor	Sony STARVIS 2 IMX675, 1/2.8" CMOS
Sensor size (H x V)	5.184 x 3.888 mm
Number Of Pixels (H x V)	5 MP (2592 x 1944)
Min. Illumination (Color/B/W)	<b>HC60WB5R2P-V:</b> Color: 0.007 Lux@30IRE F1.4 B/W: 0Lux@F1.4(IR on) <b>HC60WB5R5P-V:</b> Color: 0.008 Lux@30IRE F2.0 B/W: 0Lux@F2.0(IR on)
S/N Ratio	55 dB
Electronic Shutter Speed	1/5 ~ 1/100000 s
IR Distance	<b>HC60WB5R2P-V:</b> Up to 60 m (197 ft) <b>HC60WB5R5P-V:</b> Up to 100 m (328 ft)
IR Light Control	Smart IR (Auto / Manual) / OFF
IR Light Number	10
Removable IR-Cut Filter	Yes
Day/Night	Auto / Day Mode / Night Mode / Timing
Backlight Compensation	WDR, HLC, BLC
White Balance	Auto / Tungsten / Fluorescent / Daylight / Shadow / Manual
Gain Control	0~100 %
Wide Dynamic Range	Up to 140 dB
Noise Reduction	2D / 3D DNR
Lens	<b>HC60WB5R2P-V:</b> 2.7-13.5 mm, F1.4-F2.8, P-Iris <b>HC60WB5R5P-V:</b> 5-50 mm, F2.0, DC-Iris
G-Sensor	Supported (hardware)
Electronic Image Stabilization	Supported
Angle Of View	<b>HC60WB5R2P-V:</b> H: 100° ~ 30°, V: 72° ~ 23° <b>HC60WB5R5P-V:</b> H: 45° ~ 7°, V: 33° ~ 5°
Privacy Masking	Off / On (4 Areas)
Defog	Supported
Encryption Chipset	Built-In FIPS 140-3 Encryption Chipset
Local Storage	Micro SD / SDHC / SDXC card slot (up to 1TB)
Micro USB	Support Wi-Fi Dongle configuration
Reader Interface	Wiegand (supported) / OSDP (hardware reserved)
Alarm Inputs / Outputs	2 In / 1 Relay Out

VIDEO					
Video Compression	H.265 HEVC / H.264 / MJPEG, Smart Codec				
	<table border="1"> <thead> <tr> <th>PAL</th> <th>NTSC</th> </tr> </thead> <tbody> <tr> <td> <b>Stream 1</b> H.264/H.265: 2592 x 1944, 2688 x 1520, 2560 x 1440, 2304 x 1296, 1920 x 1080, 1280 x 720 @30 fps 2560 x 1440, 2304 x 1296, 1920 x 1080, 1280 x 720 @25 fps 720@50 fps MJPEG: 1920 x 1080, 1280 x 720 @12 fps <b>Stream 2</b> 2592 x 1944, 1920 x 1080, D1 (704 x 576), VGA (640 x 480), CIF (352 x 288)@25 fps 2560 x 1440, 2304 x 1296, 1920 x 1080, 1280 x 720, D1 (704 x 576), VGA (640 x 480), CIF (352 x 288)@50 fps MJPEG: 1920 x 1080, D1 (704 x 576), VGA (640 x 480), CIF (352 x 288)@12 fps <b>Stream 3</b> H.264/H.265: 2592 x 1944, VGA (640 x 480), CIF (352 x 288), QVGA (320 x 240) @25 fps 1920 x 1080, 1280 x 720, VGA (640 x 480), CIF (352 x 288), QVGA (320 x 240) @50 fps MJPEG: VGA (640 x 480), CIF (352 x 288), QVGA (320 x 240) @12 fps MJPEG: 1920 x 1080, 1280 x 720, VGA (640 x 480), CIF (352 x 240) @12 fps </td> <td> <b>Stream 1</b> H.264/H.265: 2592 x 1944, 2688 x 1520, 2560 x 1440, 2304 x 1296, 1920 x 1080, 1280 x 720 @30 fps 2560 x 1440, 2304 x 1296, 1920 x 1080, 1280 x 720 @60 fps MJPEG: 1920 x 1080, 1280 x 720 @12 fps <b>Stream 2</b> 2592 x 1944, 1920 x 1080, D1 (704 x 480), VGA (640 x 480), CIF (352 x 240)@30 fps 2560 x 1440, 2304 x 1296, 1920 x 1080, 1280 x 720, D1 (704 x 480), VGA (640 x 480), CIF (352 x 240)@60 fps MJPEG: 1920 x 1080, D1 (704 x 480), VGA (640 x 480), CIF (352 x 240) @12 fps <b>Stream 3</b> H.264/H.265: 2592 x 1944, VGA (640 x 480), CIF (352 x 240), QVGA (320 x 240) @30 fps 1920 x 1080, 1280 x 720, VGA (640 x 480), CIF (352 x 240), QVGA (320 x 240) @60 fps MJPEG: VGA (640 x 480), CIF (352 x 240), QVGA (320 x 240) @12 fps MJPEG: 1920 x 1080, 1280 x 720, VGA (640 x 480), CIF (352 x 240), QVGA (320 x 240)@12 fps </td> </tr> </tbody> </table>	PAL	NTSC	<b>Stream 1</b> H.264/H.265: 2592 x 1944, 2688 x 1520, 2560 x 1440, 2304 x 1296, 1920 x 1080, 1280 x 720 @30 fps 2560 x 1440, 2304 x 1296, 1920 x 1080, 1280 x 720 @25 fps 720@50 fps MJPEG: 1920 x 1080, 1280 x 720 @12 fps <b>Stream 2</b> 2592 x 1944, 1920 x 1080, D1 (704 x 576), VGA (640 x 480), CIF (352 x 288)@25 fps 2560 x 1440, 2304 x 1296, 1920 x 1080, 1280 x 720, D1 (704 x 576), VGA (640 x 480), CIF (352 x 288)@50 fps MJPEG: 1920 x 1080, D1 (704 x 576), VGA (640 x 480), CIF (352 x 288)@12 fps <b>Stream 3</b> H.264/H.265: 2592 x 1944, VGA (640 x 480), CIF (352 x 288), QVGA (320 x 240) @25 fps 1920 x 1080, 1280 x 720, VGA (640 x 480), CIF (352 x 288), QVGA (320 x 240) @50 fps MJPEG: VGA (640 x 480), CIF (352 x 288), QVGA (320 x 240) @12 fps MJPEG: 1920 x 1080, 1280 x 720, VGA (640 x 480), CIF (352 x 240) @12 fps	<b>Stream 1</b> H.264/H.265: 2592 x 1944, 2688 x 1520, 2560 x 1440, 2304 x 1296, 1920 x 1080, 1280 x 720 @30 fps 2560 x 1440, 2304 x 1296, 1920 x 1080, 1280 x 720 @60 fps MJPEG: 1920 x 1080, 1280 x 720 @12 fps <b>Stream 2</b> 2592 x 1944, 1920 x 1080, D1 (704 x 480), VGA (640 x 480), CIF (352 x 240)@30 fps 2560 x 1440, 2304 x 1296, 1920 x 1080, 1280 x 720, D1 (704 x 480), VGA (640 x 480), CIF (352 x 240)@60 fps MJPEG: 1920 x 1080, D1 (704 x 480), VGA (640 x 480), CIF (352 x 240) @12 fps <b>Stream 3</b> H.264/H.265: 2592 x 1944, VGA (640 x 480), CIF (352 x 240), QVGA (320 x 240) @30 fps 1920 x 1080, 1280 x 720, VGA (640 x 480), CIF (352 x 240), QVGA (320 x 240) @60 fps MJPEG: VGA (640 x 480), CIF (352 x 240), QVGA (320 x 240) @12 fps MJPEG: 1920 x 1080, 1280 x 720, VGA (640 x 480), CIF (352 x 240), QVGA (320 x 240)@12 fps
PAL	NTSC				
<b>Stream 1</b> H.264/H.265: 2592 x 1944, 2688 x 1520, 2560 x 1440, 2304 x 1296, 1920 x 1080, 1280 x 720 @30 fps 2560 x 1440, 2304 x 1296, 1920 x 1080, 1280 x 720 @25 fps 720@50 fps MJPEG: 1920 x 1080, 1280 x 720 @12 fps <b>Stream 2</b> 2592 x 1944, 1920 x 1080, D1 (704 x 576), VGA (640 x 480), CIF (352 x 288)@25 fps 2560 x 1440, 2304 x 1296, 1920 x 1080, 1280 x 720, D1 (704 x 576), VGA (640 x 480), CIF (352 x 288)@50 fps MJPEG: 1920 x 1080, D1 (704 x 576), VGA (640 x 480), CIF (352 x 288)@12 fps <b>Stream 3</b> H.264/H.265: 2592 x 1944, VGA (640 x 480), CIF (352 x 288), QVGA (320 x 240) @25 fps 1920 x 1080, 1280 x 720, VGA (640 x 480), CIF (352 x 288), QVGA (320 x 240) @50 fps MJPEG: VGA (640 x 480), CIF (352 x 288), QVGA (320 x 240) @12 fps MJPEG: 1920 x 1080, 1280 x 720, VGA (640 x 480), CIF (352 x 240) @12 fps	<b>Stream 1</b> H.264/H.265: 2592 x 1944, 2688 x 1520, 2560 x 1440, 2304 x 1296, 1920 x 1080, 1280 x 720 @30 fps 2560 x 1440, 2304 x 1296, 1920 x 1080, 1280 x 720 @60 fps MJPEG: 1920 x 1080, 1280 x 720 @12 fps <b>Stream 2</b> 2592 x 1944, 1920 x 1080, D1 (704 x 480), VGA (640 x 480), CIF (352 x 240)@30 fps 2560 x 1440, 2304 x 1296, 1920 x 1080, 1280 x 720, D1 (704 x 480), VGA (640 x 480), CIF (352 x 240)@60 fps MJPEG: 1920 x 1080, D1 (704 x 480), VGA (640 x 480), CIF (352 x 240) @12 fps <b>Stream 3</b> H.264/H.265: 2592 x 1944, VGA (640 x 480), CIF (352 x 240), QVGA (320 x 240) @30 fps 1920 x 1080, 1280 x 720, VGA (640 x 480), CIF (352 x 240), QVGA (320 x 240) @60 fps MJPEG: VGA (640 x 480), CIF (352 x 240), QVGA (320 x 240) @12 fps MJPEG: 1920 x 1080, 1280 x 720, VGA (640 x 480), CIF (352 x 240), QVGA (320 x 240)@12 fps				
Resolution					
Number of Video Streams	3				
Frame Rate	<b>Stream1:</b> MAX 25/30 fps 2592 x 1944, 2688 x 1520, 2560 x 1440, 2304 x 1296, 1920 x 1080, 1280 x 720 MAX 50/60 fps 2560 x 1440, 2304 x 1296, 1920 x 1080, 1280 x 720 <b>Stream2:</b> MAX 25 fps 2592 x 1944, 1920 x 1080, 704 x 576, 640 x 480, 352 x 288 MAX 30 fps 2592 x 1944, 1920 x 1080, 704 x 480, 640 x 480, 352 x 240 MAX 50 fps 2560 x 1440, 2304 x 1296, 1920 x 1080, 1280 x 720, 704 x 576, 640 x 480, 352 x 288 MAX 60 fps 2560 x 1440, 2304 x 1296, 1920 x 1080, 1280 x 720, 704 x 480, 640 x 480, 352 x 240 <b>Stream3:</b> MAX 25 fps 2592 x 1944, 640 x 480, 352 x 288, 320 x 240 MAX 30 fps 2592 x 1944, 640 x 480, 352 x 240, 320 x 240 MAX 50 fps 1920 x 1080, 1280 x 720, 640 x 480, 352 x 288, 320 x 240 MAX 60 fps 1920 x 1080, 1280 x 720, 640 x 480, 352 x 240, 320 x 240				
Bit Rate	100kbps ~ 16000kbps				

AUDIO	
Audio Compression	G.711a / G.711 Mu / G.726
Audio Stream	Full duplex, simplex
Audio Interface	Line In / Out

# 60 SERIES-5MP AI OUTDOOR BULLET CAMERA

NETWORK	
Ethernet	10 Base-T / 100 Base-TX Ethernet (RJ-45)
Supported Web Browsers	Microsoft Edge, Chrome
Supported OS	Microsoft Windows 10, Windows 11
Protocols*	IPv4, IPv6, TCP / IP, HTTP, HTTPS, RTSP / RTP / RTCP, IGMP / Multicast, SMTP, DHCP, NTP, DNS, QoS, SNMP, 802.1X, UDP, ICMP, ARP, TLS, FTP/SFTP, DDNS
Interoperability	ONVIF Profile S, G, T, M
Maximum Users Access	10 Users
Security	User account and password protection, HTTPS, IP Filter, Digest authentication, TLS1.2&TLS1.3, Stream encryption, AES128 / 256, SSH / Telnet closed, PCI-DSS compliance, Built-In encryption chipset
Secure Boot	Supported
Languages Supported	Arabic, Czech, Dutch, English, French, German, Italian, Japanese, Korean, Polish, Portuguese (Brazil), Spanish, Turkish, Traditional Chinese

EVENTS / ANALYTICS	
Video Analytics	Motion Detection, Smart Motion, Scene Change, Intrusion, Multi Loitering, Face Detection, Line Crossing Detection, Unattended Object Detection, Missing Object Detection
	<b>Object Classes:</b> Humans, Vehicles
	<b>Object Data:</b> Vehicle: Car / Truck / Motorcycle / Bus Gender: Male / Female Face mask detection: with mask / without mask** Age: Young / Adult / Middle Age / Senior Colors of cars or personal clothing: Blue / Yellow / Black / White / Green / Red / Gray / Purple / Pink / Brown / Teal / Colorful / Beige / Gold / Orange / Silvery / Floral LPR - requires additional license (ordered separately)
Audio Analytics	Audio Classes: Glass Break, Scream, Gunshot, Loud Sound
Event Type	Alarm Input, SD Card Alarm, Abnormal Sound Alarm, Illegal Access Alarm
Event Linkage	Event notification using digital output, FTP/SFTP, Email, Micro SD card recording and audio output
Region Of Interest	8

ELECTRICAL	
Power Supply	AC24V, 1.5A, 50-60 Hz; or DC12V=2.5A; or PoE 44-57V=, 350 mA (IEEE 802.3af)
Power Consumption	Max. 12 W
MECHANICAL	
Dimensions (D x D x L)	114.6 x 104.9 x Adjustable 278.5-303.5 mm (4.51" x 4.13" x 10.96"~11.94")
Package Dimensions (D x D x H)	312 x 150 x 150 mm (12.28" x 5.91" x 5.91")
Product Weight	1.36 kg (3 lb)
Package Weight	1.61 kg (3.55 lb)
Body Material	Metal (die casting aluminum with powder coating)
Construction Color	Hon dark gray + White

\* Some development may be required in specific user cases to support some of these protocols in the field as they mature over time.  
 \*\* Face mask detection is a beta feature.

ENVIRONMENTAL	
Operating Temperature	Starting Temperature: -40°C ~ 60°C (-40°F ~ 140°F) Working Temperature: -40°C ~ 60°C (-40°F ~ 140°F) (65° for 4 hours when IR off) Maximum temperature according to NEMA TS2 (para 2.8-2.9): 74 °C (165 °F)
Relative Humidity	Less than 95%, non-condensing
Ingress Protection	IP66, IP67, NEMA 4X
Impact Resistance	IK10
Heater	Yes
Gore-Vent	Yes
Fan	Yes

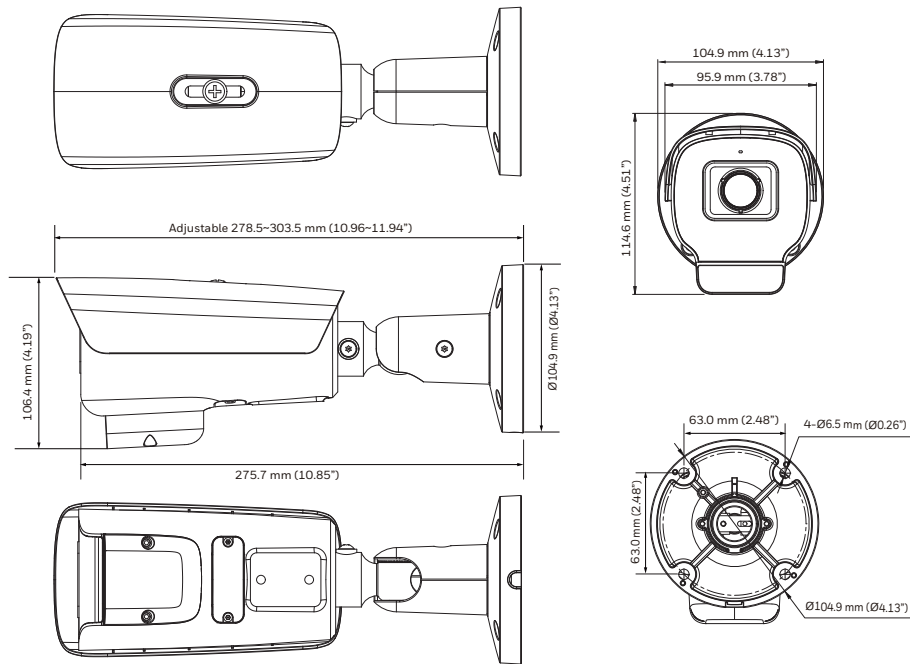
REGULATORY	
Emissions	FCC PART 15, ICES, CE (EN 55032), Complies with UKCA and RCM
Immunity	CE(EN 50130-4, EN55035), Complies with UKCA and RCM
Safety	UL LISTED TO UL/CSA 62368-1, CE(EN 62368-1), Complies with UKCA and RCM
RoHS	CE(EN 63000), UAE(Cabinet Decree No.10 of 2017)
Country of Origin	Vietnam
Warranty	5 years

DORI (EN62676-4 STANDARD)		
	Wide	Tele
Detect	HC60WB5R2P-V: 62 m (203.41ft) HC60WB5R5P-V: 130 m (426.51 ft)	HC60WB5R2P-V: 215 m (705.38 ft) HC60WB5R5P-V: 800 m (2624.67 ft)
Observe	HC60WB5R2P-V: 24.8 m (81.36 ft) HC60WB5R5P-V: 52 m (170.6 ft)	HC60WB5R2P-V: 86 m (282.15 ft) HC60WB5R5P-V: 320 m (1049.87 ft)
Recognize	HC60WB5R2P-V: 14.2 m (46.59 ft) HC60WB5R5P-V: 26 m (85.3 ft)	HC60WB5R2P-V: 43 m (141.08 ft) HC60WB5R5P-V: 160 m (524.93 ft)
Identify	HC60WB5R2P-V: 6.2 m (20.34 ft) HC60WB5R5P-V: 13 m (42.65 ft)	HC60WB5R2P-V: 21.5 m (70.54 ft) HC60WB5R5P-V: 80 m (262.47 ft)

LPR DETECTION DISTANCE	
Detection Distance for Zoom 0	HC60WB5R2P-V: 3.5 m (11.48 ft) HC60WB5R5P-V: 5 m (16.4 ft)
Detection Distance for Zoom 50	HC60WB5R2P-V: 8 m (26.25 ft) HC60WB5R5P-V: 18.4 m (60.37 ft)
Detection Distance for Zoom 100	HC60WB5R2P-V: 12.8 m (41.99 ft) HC60WB5R5P-V: 50 m (164.04 ft)

# 60 SERIES-5MP AI OUTDOOR BULLET CAMERA

## DIMENSIONS



## SYSTEM COMPATIBILITY & RECOMMENDED ACCESSORIES

SYSTEM COMPATIBILITY		OPTIONAL MOUNTS AND ACCESSORIES**	
MAXPRO NVR	Supported with MAXPRO R795	HA60BB1	60S outdoor bullet junction box
ADPRO NVR iFT-E*	Up to 32 IP channels with up to 32 VA channels NVRs	HA35PLM01	35S pole mount bracket
ADPRO NVR iFT*	Up to 32 IP channels or 16 IP channels with up to 16 VA channels NVRs	HA35CNM01	35S corner mount bracket
ADPRO NVR eFT-S*	Up to 16 IP channels or 8 IP channels with up to 8 VA channels NVRs	HA35PCM04B	35S cap for pendent mount, 1.5NPT male
Honeywell DVM*	Supported with Honeywell DVM R800	HA35CLM01	35S ceiling mount base with adapter
35 Series NVR	4/8/16/32/64-channel 35 series NVRs	HA35CLM02	35S ceiling mount pendent extension, 252mm
Third Party Systems	Supported with Milestone 2025 R1		

\* Limited features are supported for compatibility. Please refer to the Integration Matrix for detailed information.

\*\* Mounting accessories, unless otherwise noted, are not included with camera and must be ordered separately. Please refer to the cross reference matrix or accessories datasheet for detailed information.

## ORDERING

PART NUMBER	DESCRIPTION
HC60WB5R2P-V	60 Series 5MP AI Outdoor Bullet Camera, WDR up to 140 dB, 1/2.8" CMOS, 2.7-13.5 mm MFZ, 4 IR LEDs, PoE, IP66/IP67/NEMA 4X/TS-2/IK10
HC60WB5R5P-V	60 Series 5MP AI Outdoor Bullet Camera, WDR up to 140 dB, 1/2.8" CMOS, 5-50 mm MFZ, 4 IR LEDs, PoE, IP66/IP67/NEMA 4X/TS-2/IK10
HV70LPRL1	Honeywell license plate recognition L1, stop & go
HV70LPRL2	Honeywell license plate recognition L2, up to speed 30 mph

### For More Information

hwll.co/securityUK

### Building Automation

Commercial Security  
Building 5 Carlton Park  
King Edward Avenue  
Narborough, Leicester  
LE19 0LF

Tel: +44 (0)1163 500714

[www.honeywell.com](http://www.honeywell.com)



ONVIF and the ONVIF logo are trademarks of ONVIF Inc.  
HEVC Advance logo is a trademark of HEVC Advance.  
Sony and Sony STARVIS are registered trademarks of Sony Corporation.

Honeywell reserves the right, without notification, to make changes in product design or specifications.

HBA-SEC-60S-HC60WB5RxP-V-DS-UK-EN-09-2025-V01-Y  
© 2025 Honeywell International Inc.

**Honeywell**