



Network

Dome

QND-8020R

5M H.265 IR Dome Camera



Key Features

- Max. 5Megapixel (2592 x 1944) resolution
- 4mm fixed lens
- 0.15Lux (Color), 0Lux (B/W, IR LED on)
- H.265, H.264, MJPEG codec support, Multiple streaming
- Day&Night (ICR), WDR (120dB)
- Tampering, Motion detection, Defocus detection
- Micro SD / SDHC / SDXC memory slot (Max. 128GB)
- Hallway view, WiseStream II support
- IR Viewable length 20m (65.62ft)

Compatible Accessories (Optional)



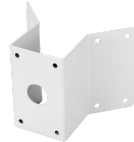
SBP-120MMW



SBP-300LMW



SBP-300MMW1



SBP-300KMW



SBP-300BW



SPG-IND12B



SBP-300PMW



SPB-INW13



SBP-300MMW



SBP-300NBW



SBP-300CMW



SBP-300HMW7

QND-8020R

5M H.265 IR Dome Camera



Specifications

Video	
Imaging Device	1/2.8" CMOS
Resolution	5MP mode : 2592x1944, 1920x1080, 1280x960, 1280x720, 800x600, 800x448, 720x576, 720x480, 640x480, 640x360, 320x240 4MP mode : 2560x1440, 1920x1080, 1280x960, 1280x720, 800x600, 800x448, 720x576, 720x480, 640x480, 640x360, 320x240
Max. Framerate	H.265/H.264: Max. 30fps/25fps(60Hz/50Hz) MJPEG: Max. 15fps(@5MP Max. 2fps)
Min. Illumination	Color: 0.15Lux(F1.6, 1/30sec, 30IRE) BW: 0.015Lux(F1.6, 1/30sec, 30IRE), 0Lux(IR LED on)
Video Out	CVBS: 1.0 Vp-p / 75Ω composite, 720x480(N), 720x576(P) for installation
Lens	
Focal Length (Zoom Ratio)	4.0mm fixed focal
Max. Aperture Ratio	F1.6
Angular Field of View	H: 80°/ V: 59°/ D: 106°
Focus Control	Fixed
Pan / Tilt / Rotate	
Pan / Tilt / Rotate Range	0°~350° / 0°~67° / 0°~355°
Operational	
Camera Title	Displayed up to 85 characters
Day & Night	Auto(ICR)
Backlight Compensation	BLC, WDR, SDDR
Wide Dynamic Range	120dB
Digital Noise Reduction	SSNR
Motion Detection	4ea, polygonal zones
Privacy Masking	6ea, rectangular zones
Gain Control	Low / Middle / High
White Balance	ATW / AWC / Manual / Indoor / Outdoor
LDC	Support
Electronic Shutter Speed	Minimum / Maximum / Anti flicker (1/5~1/12,000sec)
Video Rotation	Flip, Mirror, Hallway view(90°/270°)
Analytics	Motion detection, Tampering, Defocus detection , Virtual area(Intrusion/Enter/Exit), Virtual line(Crossing/Direction)
Alarm I/O	Input 1ea / Output 1ea
Alarm Triggers	Analytics, Network disconnect, Alarm input

QND-8020R

Alarm Events	When alarm trigger occurred - File upload(image): e-mail/FTP - Notification: e-mail - Recording: SD/SDHC/SDXC or NAS recording at event triggers - Alarm output - Handover: PTZ preset
--------------	---

Light Type	IR LED (850nm)
Light Viewable Length	20m(65.62ft)

Network

Ethernet	RJ-45(10/100BASE-T)
Video Compression	H.265/H.264: Main/High, MJPEG
Smart Codec	WiseStream II
Bitrate Control	H.264/H.265: CBR or VBR MJPEG: VBR
Streaming	Unicast(6 users) / Multicast Multiple streaming(Up to 3 profiles)
Protocol	IPv4, IPv6, TCP/IP, UDP/IP, RTP(UDP), RTP(TCP), RTCP, RTSP, NTP, HTTP, HTTPS, SSL/TLS, DHCP, FTP, SMTP, ICMP, IGMP, SNMPv1/v2c/v3(MIB-2), ARP, DNS, DDNS, QoS, UPnP, Bonjour, LLDP
Application Programming Interface	ONVIF Profile S/G/T SUNAPI(HTTP API) Wisenet open platform

Security

OS / Firmware Protect	Firmware encryption
User authentication	Digest Authentication, Prevent brute-force attack
Network authentication	802.1X Authentication(EAP-TLS, EAP-LEAP, EAP-PEAP MSCHAPv2)
Secure Communication	HTTPS, SRTP, WSS(Websocket secure)
Access Control	Access control based on IP address
Data Protect	Authentication information encryption, ZIP compression encryption
Audit	User Access/System/Event log management
Device ID	Device Certificate(Hanwha Private Root CA)
Secure Storage	SDcard partition encrypt

General

Webpage Language	English, Korean, Chinese, French, Italian, Spanish, German, Japanese, Russian, Portuguese, Czech, Polish, Turkish, Dutch
Edge Storage	Micro SD/SDHC/SDXC 1slot 128GB
Memory	512MB RAM, 256MB Flash

Environmental & Electrical

Operating Temperature / Humidity	-10°C~+55°C(+14°F~+131°F) / 0~90% RH(non-condensing)
Storage Temperature / Humidity	-30°C~+60°C(-22°F~+140°F) / 0~90% RH
Input Voltage	PoE(IEEE802.3af, Class3)
Power Consumption	PoE: Max 6.80W, typical 5.00W

Mechanical

Color / Material	White / Plastic, Aluminum
RAL Code	RAL9003
Product Dimensions / Weight	ø110.6x89.5mm(ø4.35x3.52"), 360g(0.79 lb)
Hanging Mount (Dome)	SBP-300HMMW7

DORI (EN62676-4 standard)	
Detect (25PPM/ 8PPF)	62.0m(203.39ft)
Observe (63PPM/ 19PPF)	24.8m(81.36ft)
Recognize (125PPM/ 38PPF)	12.4m(40.68ft)
Identify (250PPM/ 76PPF)	6.2m(20.34ft)

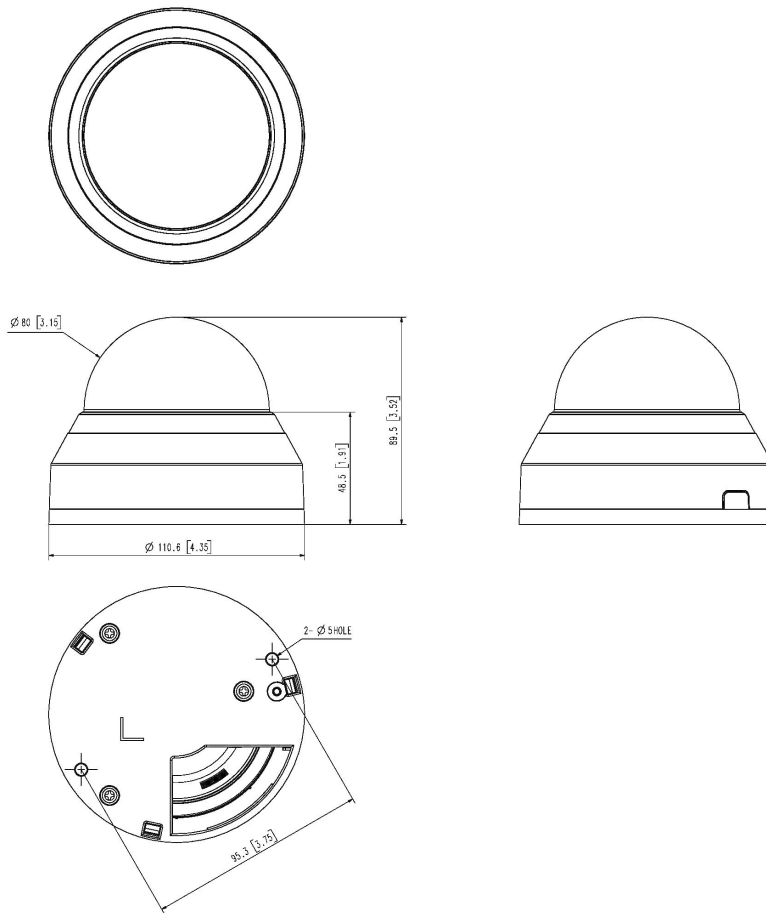
QND-8020R

5M H.265 IR Dome Camera



CAD

Unit:mm [inch]



QND-8010R/8020R/8030R
UNIT : mm[inch]