

AUDIO BEACON

User Manual

SPS-A100M



Audio Beacon

User Manual

Copyright

©2024 Hanwha Vision Co., Ltd. All rights reserved.

Trademark

Each of trademarks herein is registered. The name of this product and other trademarks mentioned in this manual are the registered trademark of their respective company.

Restriction

Copyright of this document is reserved. Under no circumstances, this document shall be reproduced, distributed or changed, partially or wholly, without formal authorization.

Disclaimer

Hanwha Vision makes the best to verify the integrity and correctness of the contents in this document, but no formal guarantee shall be provided. Use of this document and the subsequent results shall be entirely on the user's own responsibility. Hanwha Vision reserves the right to change the contents of this document without prior notice.

※ Design and specifications are subject to change without prior notice.

※ The initial administrator ID is "admin" and the password should be set when logging in for the first time.

Please change your password every three months to safely protect personal information and to prevent the damage of the information theft.

Please, take note that it's a user's responsibility for the security and any other problems caused by mismanaging a password.

IMPORTANT SAFETY INSTRUCTIONS

1. Read these instructions.
2. Keep these instructions.
3. Heed all warnings.
4. Follow all instructions.
5. Do not use this apparatus near water.
6. Clean the contaminated area on the product surface with a soft, dry cloth or a damp cloth. (Do not use a detergent or cosmetic products that contain alcohol, solvents or surfactants or oil constituents as they may deform or cause damage to the product.)
7. Do not block any ventilation openings, Install in accordance with the manufacturer's instructions.
8. Do not install near any heat sources such as radiators, heat registers, stoves, or other apparatus (including amplifiers) that produce heat.
9. Do not defeat the safety purpose of the polarized or grounding-type plug. A polarized plug has two blades with one wider than the other. A grounding type plug has two blades and a third grounding prong. The wide blade or the third prong are provided for your safety. If the provided plug does not fit into your outlet, consult an electrician for replacement of the obsolete outlet.
10. Protect the power cord from being walked on or pinched particularly at plugs, convenience receptacles, and the point where they exit from the apparatus.
11. Only use attachments/ accessories specified by the manufacturer.
12. Use only with the cart, stand, tripod, bracket, or table specified by the manufacturer, or sold with the apparatus. When a cart is used, use caution when moving the cart/ apparatus combination to avoid injury from tip-over.
13. Unplug this apparatus during lightning storms or when unused for long periods of time.
14. Refer all servicing to qualified service personnel. Servicing is required when the apparatus has been damaged in any way, such as power-supply cord or plug is damaged, liquid has been spilled or objects have fallen into the apparatus, the apparatus has been exposed to rain or moisture, does not operate normally, or has been dropped.
15. This product is intended to be supplied by a UL Listed Power Supply Unit marked "Class 2" or "LPS" or "PS2" and rated from PoE (53 Vdc), 0.35 A.
16. This product is intended to be supplied by isolation power.
17. If you use excessive force when installing the product, the audio beacon may be damaged and malfunction. If you forcibly install the product using non-compliant tools, the product may be damaged.
18. Do not install the product in a place where chemical substances or oil mist exists or may be generated. As edible oils such as soybean oil may damage or warp the product, do not install the product in the kitchen or near the kitchen table. This may cause damage to the product.
19. When installing the product, be careful not to allow the surface of the product to be stained with chemical substance. Some chemical solvents such as cleaner or adhesives may cause serious damage to the product's surface.
20. If you install/disassemble the product in a manner that has not been recommended, the production functions/ performance may not be guaranteed. Install the product by referring to "Installation & connection" in the user manual.
21. Installing or using the product in water can cause serious damage to the product.



22. This device has been verified using STP cable. The use of appropriate GND grounding and STP cable is recommended to effectively protect your product and property from transient voltage, thunderstroke, communication interruption.
23. The operating temperature of the product is -20°C to +55°C (-4°F ~ +131°F).
24. Be aware that sound classification and direction detection may be temporarily limited while the speaker is in use.

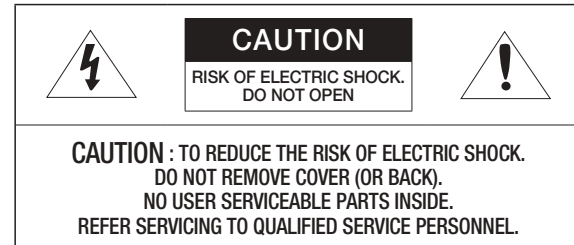
WARNING

TO REDUCE THE RISK OF FIRE OR ELECTRIC SHOCK, DO NOT EXPOSE THIS PRODUCT TO RAIN OR MOISTURE. DO NOT INSERT ANY METALLIC OBJECT THROUGH THE VENTILATION GRILLS OR OTHER OPENINGS ON THE EQUIPMENT.

Apparatus shall not be exposed to dripping or splashing and that no objects filled with liquids, such as vases, shall be placed on the apparatus.

To prevent injury, this apparatus must be securely attached to the ceiling in accordance with the installation instructions.

CAUTION



EXPLANATION OF GRAPHICAL SYMBOLS



The lightning flash with arrowhead symbol, within an equilateral triangle, is intended to alert the user to the presence of "dangerous voltage" within the product's enclosure that may be of sufficient magnitude to constitute a risk of electric shock to persons.



The exclamation point within an equilateral triangle is intended to alert the user to the presence of important operating and maintenance (servicing) instructions in the literature accompanying the product.

Class I construction

An apparatus with CLASS I construction shall be connected to a MAINS socket outlet with a protective earthing connection.

Battery

Batteries(battery pack or batteries installed) shall not be exposed to excessive heat such as sunshine, fire or the like.

The battery cannot be replaced.

Prohibition of battery abuse

- Do not install and use the wrong type of battery.
- Do not leave the battery in a mechanically crush or cut it because it can explode.
- Do not leave the battery in a high temperature environment.
- Do not leave the battery in a low-pressure environment.

Disconnection Device

Disconnect the main plug from the apparatus, if it's defected. And please call a repair man in your location.

When used outside of the U.S., it may be used HAR code with fittings of an approved agency is employed.

CAUTION

RISK OF EXPLOSION IF BATTERY IS REPLACED BY AN INCORRECT TYPE.
DISPOSE OF USED BATTERIES ACCORDING TO THE INSTRUCTIONS.

ATTENTION

IL Y A RISQUE D'EXPLOSION SI LA BATTERIE EST REMPLACÉE PAR UNE BATTERIE DE TYPE INCORRECT.
METTRE AU REBUT LES BATTERIES USAGÉES CONFORMÉMENT AUX INSTRUCTIONS.

These servicing instructions are for use by qualified service personnel only.

To reduce the risk of electric shock do not perform any servicing other than that contained in the operating instructions unless you are qualified to do so.

The USB-C port on the product is intended for initial setup only and should not be used for any other purpose.

The ITE is to be connected only to PoE+ networks without routing to the outside plant.

The wired LAN hub providing power over the Ethernet (PoE) in accordance with IEEE 802.3at shall be a UL Listed device with the output evaluated as a Limited Power Source as defined in UL60950-1 or PS2 as defined in UL62368-1.

Unit is intended for installation in a Network Environment 0 as defined in IEC TR 62102. As such, associated Ethernet wiring shall be limited to inside the building.

Please read the following recommended safety precautions carefully.

- Do not place this apparatus on an uneven surface.
- Do not install on a surface where it is exposed to direct sunlight, near heating equipment or heavy cold area.
- Do not place this apparatus near conductive material.
- Do not attempt to service this apparatus yourself.
- Do not place a glass of water on the product.
- Do not install near any magnetic sources.
- Do not block any ventilation openings.
- Do not place heavy items on the product.
- Please wear protective gloves when installing/removing the audio beacon.
The high temperature of the product surface may cause a burn.

User's Manual is a guidance book for how to use the products.

The meaning of the symbols are shown below.

- Reference : In case of providing information for helping of product's usages
- Notice : If there's any possibility to occur any damages for the goods and human caused by not following the instruction

※ Please read this manual for the safety before using of goods and keep it in the safe place.

We do not guarantee the quality of third-party products (e.g. lenses, accessories) that you separately purchase.

In particular installation environments, there might be interference in radio communications. When interference of electromagnetic waves occurs between the product and radio communication device, it is recommended to keep a certain distance between the two or change the direction of the receiving antenna.

Compatibility may be affected by the version of the integrated management software in use (Genetec, Milestone, Wave, SSM). For detailed information regarding compatible versions, please consult the sales team.

CONTENTS

OVERVIEW	3	Important Safety Instructions
	6	Recommended PC Specifications
	6	What's Included
	7	Optional Accessories for Installation
	8	At a Glance

3

INSTALLATION & CONNECTION	10	Installation
	14	Connecting with other Device

10

NETWORK CONNECTION AND SETUP	17	Connecting the Audio beacon Directly to Local Area Networking
	17	Connecting the Audio beacon Directly to a DHCP Based DSL/Cable Modem
	18	Using Device Manager
	18	Setting up projects
	18	Automatically searching audio beacon
	18	Configuring IP address
	20	Manually registering audio beacon
	20	Automatically configuring IP
	20	Port Range Forward (Port Mapping) Setup
	21	Connecting to the Audio beacon from a Shared Local PC
	21	Connecting to the Audio beacon from a Remote PC via the Internet

17

WEB VIEWER	22	Connecting to the Audio beacon
	23	Password setting
	23	Login
	23	Audio beacon Web Viewer Setup

22

APPENDIX	24	Troubleshooting
-----------------	----	-----------------

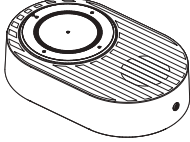
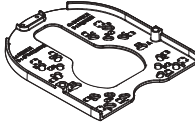
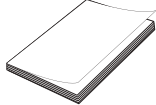
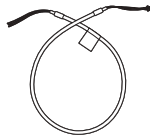
24

RECOMMENDED PC SPECIFICATIONS

- CPU : Intel(R) Core(TM) i7 3.4 GHz or higher
- RAM : 8G or higher
- Recommended browser: Chrome
- Supported browsers: Chrome, Safari, Firefox, MS Edge(chromium based)
- Supported OS : Windows, Mac, Linux, Android, iOS, Chrome
- Verification environment
 - Windows 10: Google Chrome version 80 or later, Firefox version 72 or later, MS Edge version 83 or later
 - Mac 10.13/14: Safari version 11.0.1 or later

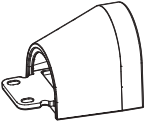
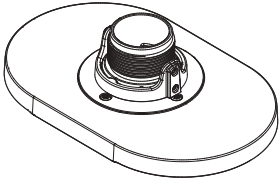
WHAT'S INCLUDED

Please check if your audio beacon and accessories are all included in the product package.
(As for each sales country, accessories are not the same.)

Appearance	Item Name	Quantity	Description
	Audio Beacon	1	
	Mount plate	1	Used when installing a audio beacon
	Quick Guide (Optional)	1	
	Alarm Cable	1	Used when connecting to an alarm

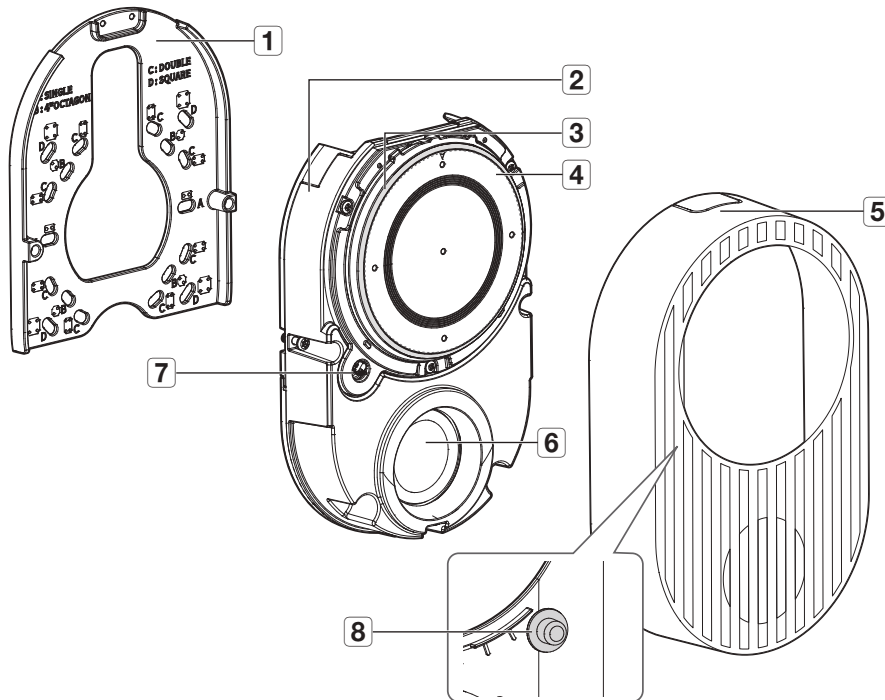
OPTIONAL ACCESSORIES FOR INSTALLATION

You can purchase appropriate optional accessories available.

Conduit Adaptor	Hanging Mount
 <p data-bbox="214 477 309 498">SBP-060BA</p>	 <p data-bbox="575 502 689 522">SBP-215HMWB</p>

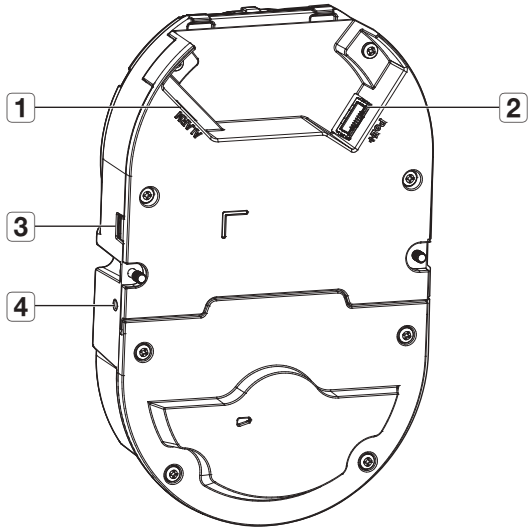
AT A GLANCE

Appearance



Item	Description
1 Mount plate	The component that secures the audio beacon to the installation surface.
2 Main body	The main part of the audio beacon, which includes internal connection terminals.
3 LED indicator	Activates the LED based on preset settings during events.
4 Built-in Mic	Detects and classifies sounds through the built-in mic by type.
5 Body case	Case cover used to protect the main unit.
6 Speaker	Output audio from connected devices or activate speaker during events.
7 Tampering switch	The sensor module that activates an alarm when the body case is opened. To use this feature, set <Case tampering> to <Use> on the Web Viewer setup menu.
8 Tampering switch depressor	Monitors whether the product case has been separated using the tampering switch.

Inside



Item	Description
1 Alarm cable port	Plug in the alarm cable to this port to connect with external alarm device.
2 PoE+ port	This port connects power and network via PoE+ injector.
3 USB Type-C port	<p>Port to connect the WiFi dongle. The product's northern orientation can be set through the Wisenet Installation app installed on a smartphone.</p> <p>Refer to "Connecting WiFi" on page 15.</p> <ul style="list-style-type: none"> WiFi dongle and OTG adapter are sold separately.
4 Reset Button	<p>The button restores all audio beacon settings to the factory default. Press and hold for about 5 seconds to reboot the system.</p> <p>! If you reset the audio beacon, the network settings will be adjusted so that DHCP can be enabled. If there is no DHCP server in the network, you must run the Device Manager program to change the basic network settings such as IP address, Subnet mask, Gateway, etc., before you can connect to the network.</p>

INSTALLATION

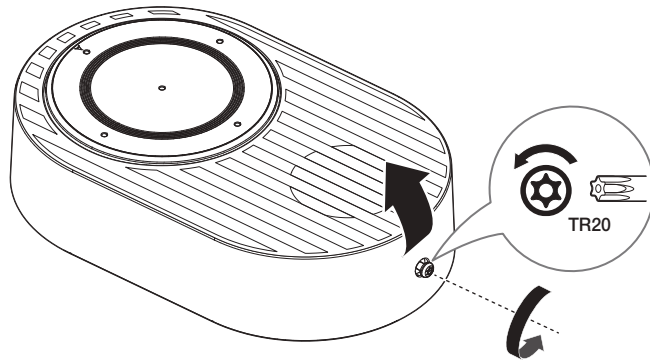
Precautions before installation

Ensure you read out the following instructions before installing the audio beacon:

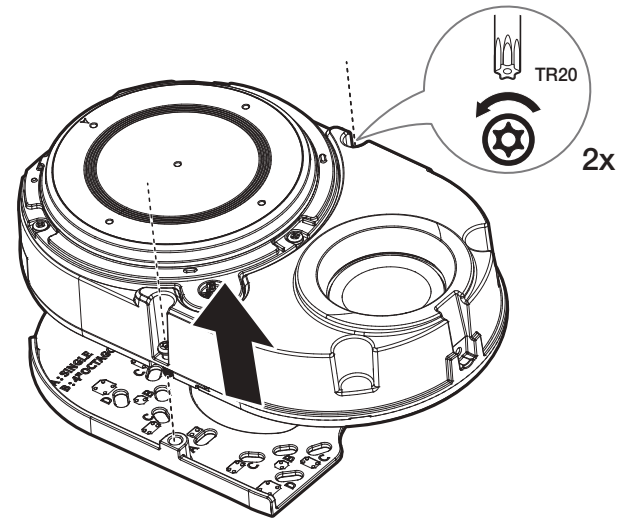
- Stuck-in or peeled-off cables can cause damage to the product or a fire.
- For safety purposes, keep anyone else away from the installation site.
- If the product is installed with excessive force, it may cause damage to the audio beacon due to malfunction. Forcing assembly using non-compliant tools may damage the product.

Disassembling

1. Loosen the fastening screw on the bottom of the audio beacon by turning it counterclockwise, and detach the body case.



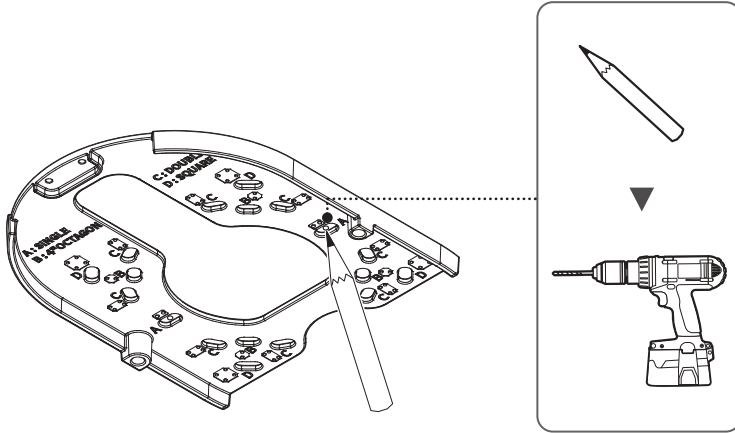
2. Loosen the fastening screw on the main body by turning it counterclockwise, and detach the mount plate.



Installation (mount plate)

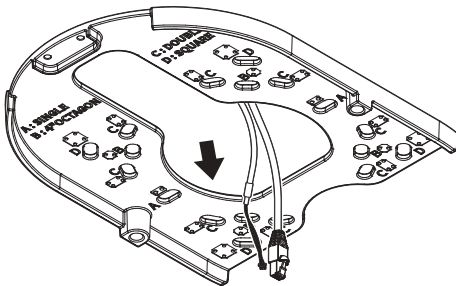
[Directly installing on ceiling]

1. Position the mount plate at the desired installation location for the audio beacon, mark the screw and wiring hole positions, and drill the holes.

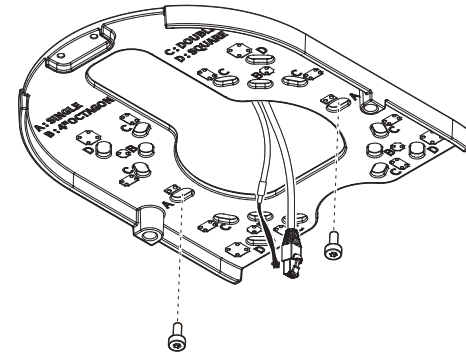


 ■ Once installation is complete, configure <Product information> in the Web Viewer setup menu.

2. Feed the required cables, either the alarm cable or the network cable, through the wiring hole in the mount plate.

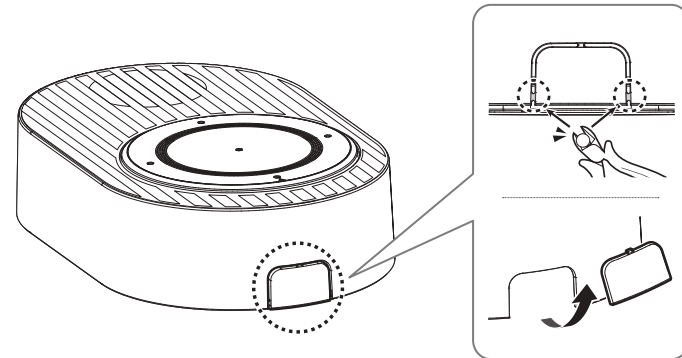


3. Fix the mount plate using appropriate screws. (M4)



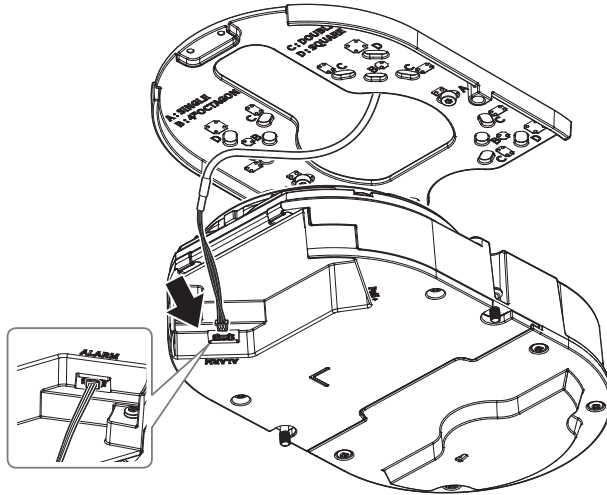
[Installing using pipe]

1. When installing with a pipe connection, detach the wiring hole cover from the body case. Detach the cover as shown in the figure, and proceed with the installation according to the instructions below.

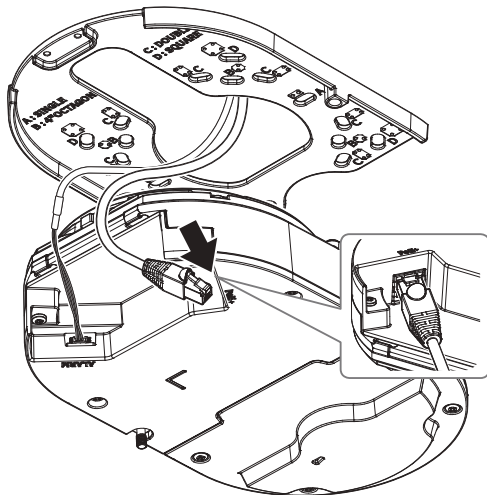


[Installing alarm/network cables]

1. Connect the connector of the alarm cable to its connection port.

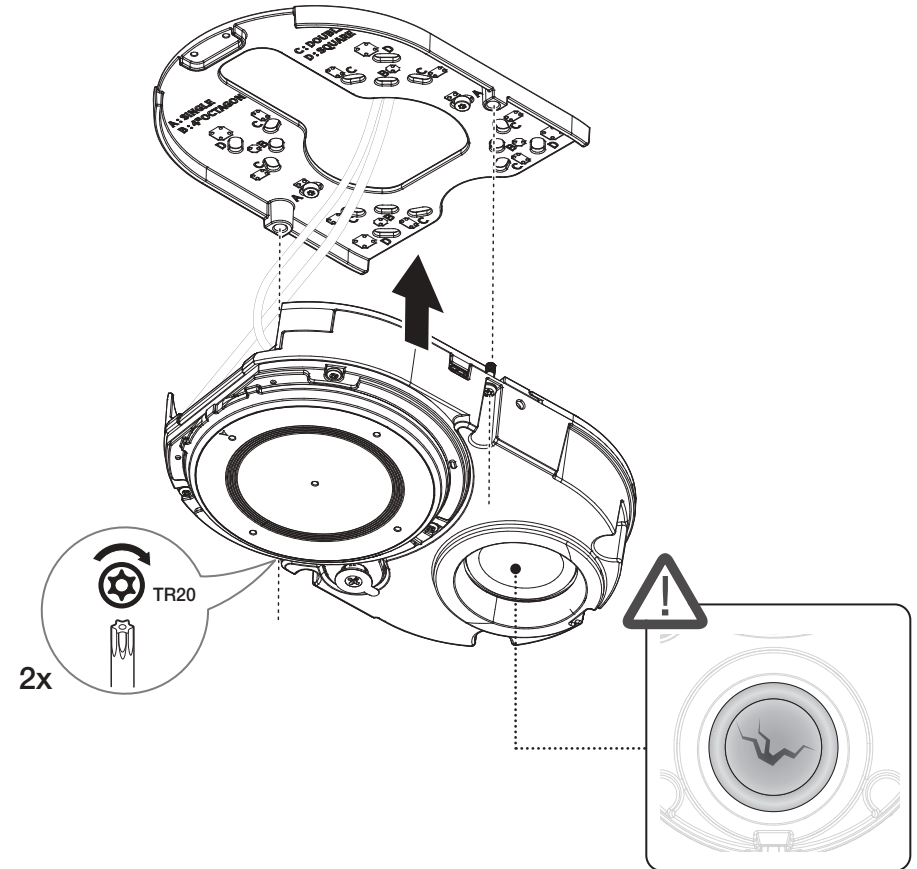


2. Connect the network cable jack to the PoE+ port of the audio beacon.

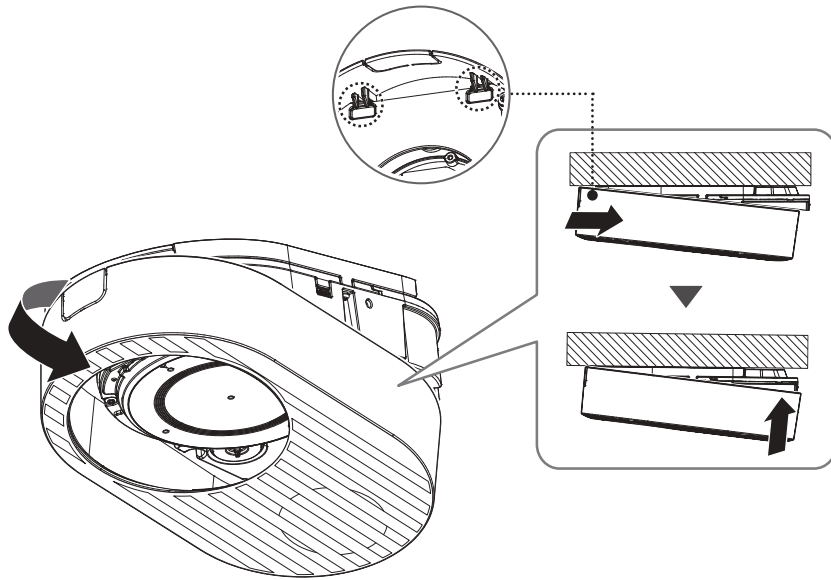


Installation (audio beacon body)

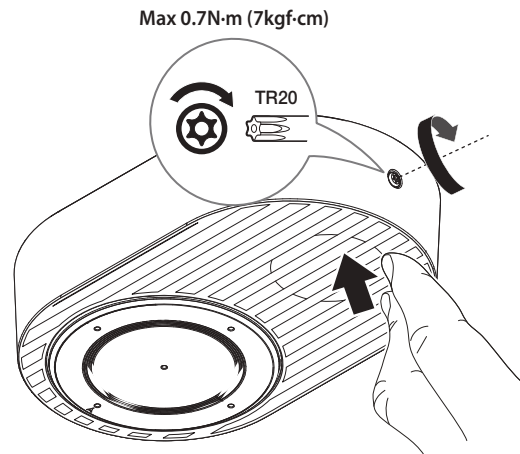
1. Attach the audio beacon body to the mount plate.



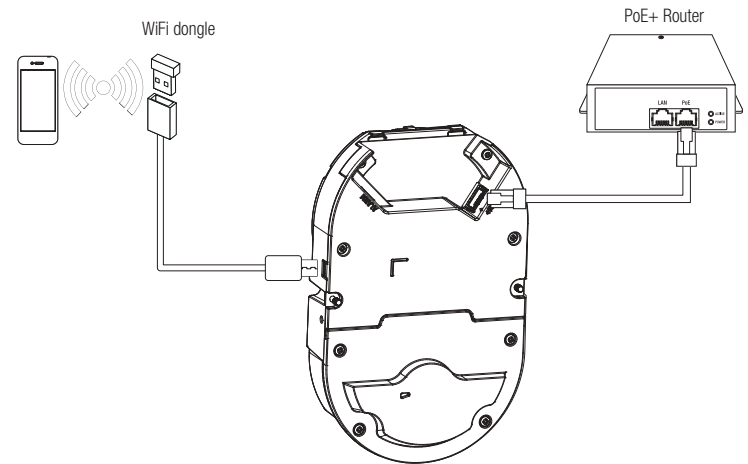
2. As shown in the figure, attach the body case.



3. While pressing the bottom of the audio beacon, tighten the fastening screw.



CONNECTING WITH OTHER DEVICE



▪ The product USB Type C ports are for convenience in installing a product.

Connecting WiFi

Setting up audio beacon

1. Connect the OTG gender (Type C) and WiFi dongle to the USB Type C terminal.

Smartphone Setup

1. Install the Wisenet Installation application.
2. Select the audio beacon's SSID after turning on WiFi.
3. Run the Wisenet Installation application.
4. When logged in to the audio beacon, the audio beacon will automatically turn on and you will see a compass UI for orientation. Orient the product and proceed with the settings.

Recommended dongle manufacturer

Manufacturer	Model
NETIS	WF2123 n300
EDIMAX	EW-7811Un V2(New ver.)
IP Time	N100mini
IP Time	N150L
TP-LINK	TL-WN823N V1
TP-LINK	TL-WN725N
ASUS	USB-N13
ASUS	USB-N10 NANO
NETGEAR	WNA3100M
IODATA	WN-G150UMW
IODATA	WN-S150UM
TOTOLINK	N300UM

Powering and networking

Connect the PoE+ device with the PoE+ port of the audio beacon.



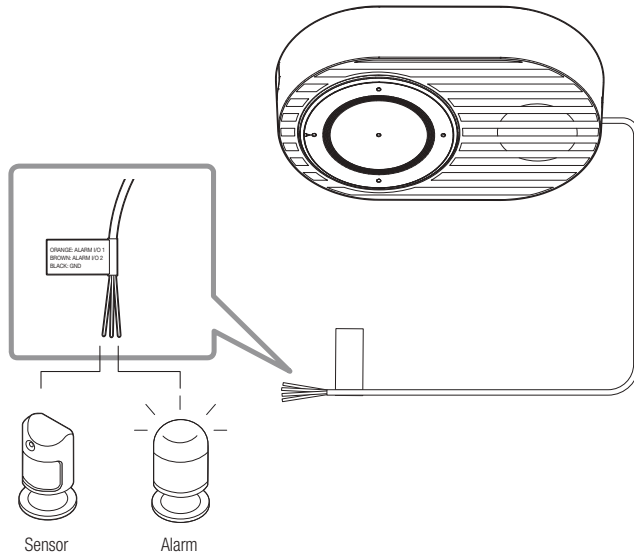
- Connect and use a PoE+ -enabled router.
- Use a PoE+ device that complies with the IEEE 802.3at standard.

Network Cable Specification

Item	Contents	Remark
Connector	RJ45 (10/100BASE-T)	
Ethernet	10/100BASE-T	
Cable	Category 5	
Max Distance	100 m	DC Resistance $\leq 0.125 \Omega/m$
PoE+ Support	IEEE 802.3at	

Connecting to the I/O port box

Connect the Alarm I/O cable to the corresponding port of the port box.



Alarm-related Connector

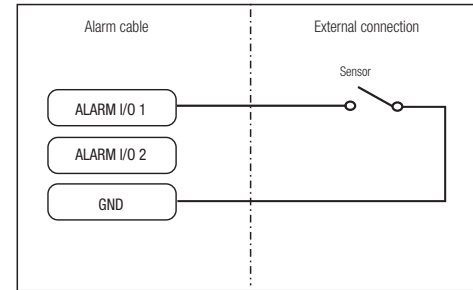
! ■ Make sure to connect the provided alarm cable before use.

Color	Function	Description
ORANGE : ALARM I/O 1 BROWN : ALARM I/O 2	ALARM I/O 1, ALARM I/O 2	These two ports are configurable from the web viewer, as they can be used as Alarm in or Alarm out ※ Alarm I/O changes can be made through the Webviewer setup.
BLACK	GND	It is a ground terminal.

To connect to an external sensor

To use as an Alarm IN: Connect one of the [ALARM I/O] port and the other terminal to the [GND] port.

Alarm In Wiring Diagram(example)



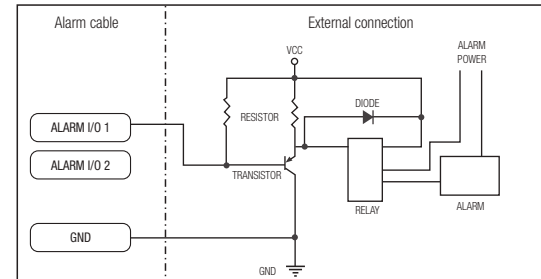
<If ALARM I/O 1 is set as an input terminal>

To connect to an alarm output

If devices (e.g., flashing light and siren) that exceed the voltage and current specifications are connected by using the open collector method, it may cause damage. (12VDC, 20 mA MAX)

Refer to the alarm out connection diagram below case.

Alarm Out Wiring Diagram(example)



<If ALARM I/O 1 is set as an output terminal>

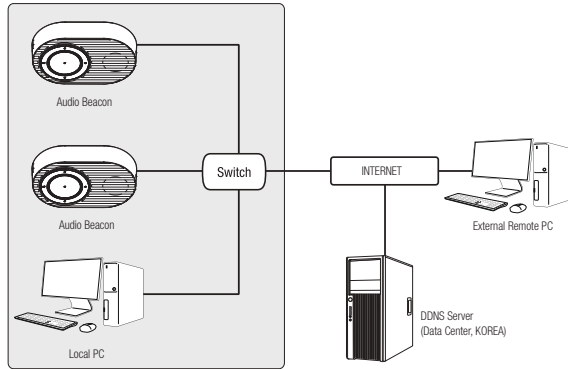
network connection and setup

You can set up the network settings according to your network configurations.

CONNECTING THE AUDIO BEACON DIRECTLY TO LOCAL AREA NETWORKING

Connecting to the audio beacon from a local PC in the LAN

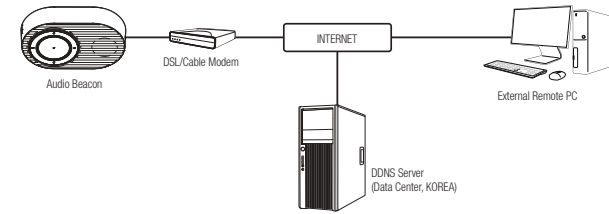
1. Launch an Internet browser on the local PC.
2. Enter the IP address of the audio beacon in the address bar of the browser.



<Local Network>

- A remote PC in an external Internet out of the LAN network may not be able to connect to the audio beacon installed in the intranet if the port-forwarding is not properly set or a firewall is set. In this case, to resolve the problem, contact your network administrator.
- By factory default, the IP address will be assigned from the DHCP server automatically. If there is no DHCP server available, the IP address will be set to 192.168.1.100. To change the IP address, use the Device Manager. For further details on Device Manager use, refer to "Using Device Manager". (Page 18)
- For a local network not connected to the internet, you can manually set the time or synchronize it with a PC. Web Viewer setup screen-<Basic>-<Date & Time>-<System time setup>

CONNECTING THE AUDIO BEACON DIRECTLY TO A DHCP BASED DSL/ CABLE MODEM



1. Connect the user PC directly with the audio beacon.
2. Run the Device Manager and change the IP address of the audio beacon so that you can use the web browser on your desktop to connect to the audio beacon.
3. Use the Internet browser to connect to the web viewer.
4. Move to [Setup] page.
5. Move to [Network] – [DDNS] and configure the DDNS settings.
6. Move to [Basic] – [IP & Port], and set the IP type to [DHCP].
7. Connect the audio beacon, which was removed from your PC, directly to the modem.
8. Restart the audio beacon.

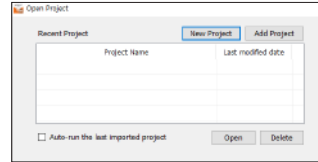
- For information on how to set DDNS, refer to the online help of Web Viewer.
- For information on how to set the IP format, refer to the online help of Web Viewer.

USING DEVICE MANAGER

- Device manager program can be downloaded from <Support>-<Tool> menu at Hanwha Vision website (<https://www.HanwhaVision.com>).
- More instructions of Device Manager can be found at <Help> menu of the main page.

SETTING UP PROJECTS

You can save and import audio beacons for each project. To create a new project, set the project name and a password. You need to enter a password to run the created project.



AUTOMATICALLY SEARCHING AUDIO BEACON

If an audio beacon is connected to the same network of the PC where device manager is installed, you can find audio beacon by using search function.

- Click <Search> at the main page of device manager.
- Check the audio beacon from the list.
 - Check MAC address at the sticker attached to the audio beacon.

CONFIGURING IP ADDRESS

If you want to change audio beacon network setting, <Login OK> sign must be displayed at <Status>. Click <Credential> at the main page to log in.

Configuring Static IP

Manually insert and configure IP address & port information.

When setting one audio beacon

- Click the audio beacon from the list that you want the change the IP setting.
- Click <IP Assign> at the main page of device manager.
- Select <Assign the following IP address>.
 - IP information of the audio beacon will be displayed as previously set.
- Fill in IP & Port related categories.



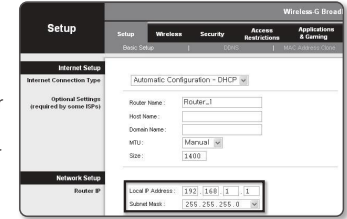
If not using a Broadband Router

For setting <IP Address>, <Subnet Mask>, and <Gateway>, contact your network administrator.

- HTTP Port : Used to access the audio beacon using the Internet browser, defaulted to 80.
- RTSP Port : A port that controls real-time streaming. The initial value is 554.

If using a Broadband Router

- IP Address : Enter an address falling in the IP range provided by the Broadband Router.
 - ex) 192.168.1.2~254, 192.168.0.2~254, 192.168.XXX.2~254
- Subnet Mask : The <Subnet Mask> of the Broadband Router will be the <Subnet Mask> of the audio beacon.
- Gateway : The <Local IP Address> of the Broadband Router will be the <Gateway> of the audio beacon.



- The settings may differ depending on the connected Broadband Router model. For more information, refer to the user manual of the applicable router.
- For more information about port forwarding of the broadband router, refer to "Port Range Forward (Port Mapping) Setup". (Page 20)

If the Broadband Router has more than one audio beacon connected

Configure the IP related settings and the Port related settings distinctly with each other.

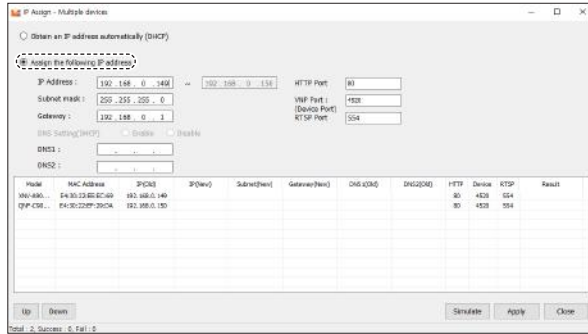
ex)

	Category	Audio beacon #1	Audio beacon #2
IP related settings	IP Address	192.168.1.100	192.168.1.101
	Subnet Mask	255.255.255.0	255.255.255.0
	Gateway	192.168.1.1	192.168.1.1
Port related settings	HTTP Port	8080	8081
	RTSP Port	554	555

- If the <HTTP Port> is set other than 80, you must provide the <Port> number in the address bar of the Internet browser before you can access the audio beacon.
 - ex) http://IP address : HTTP Port
http://192.168.1.100:8080

- Click [Apply] Button.
- If the success message is displayed, click [OK].

When setting multiple audio beacons



1. Click the audio beacon from the list that you want the change the IP setting.
2. Click <IP Assign> at the main page of device manager.
3. Select <Assign the following IP address>.
4. Enter the initial address of the IP address range to be assigned.
5. Click the [Simulate] button to check the IP address to be assigned for each equipment.
 - You can edit each address by double-clicking the IP address item.
6. Click the [Apply] button to start IP assignment.
7. Check the <Result> item for the success of IP assignment.

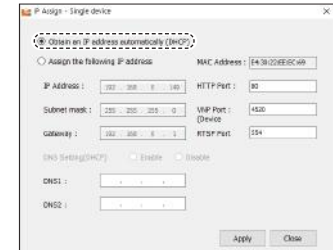
Configuring Dynamic IP

Receive IP address from DHCP

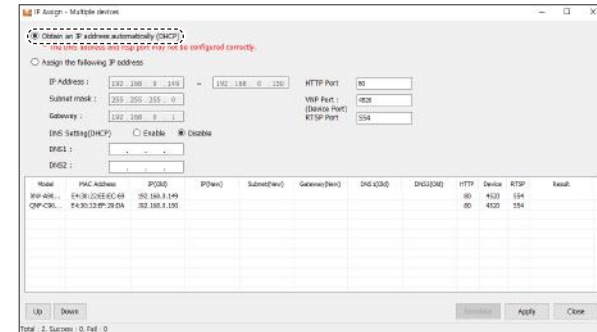
- Example of the Dynamic IP environment
 - If a Broadband Router, with audio beacons connected, is assigned an IP address by the DHCP server
 - If connecting the audio beacon directly to modem using the DHCP protocols
 - If IPs are assigned by the internal DHCP server via the LAN

When setting one audio beacon

1. Click the audio beacon from the list that you want to change the IP setting.
2. Click <IP Assign> at the main page of device manager.
3. Select <Obtain an IP address automatically (DHCP)>.
4. Click [Apply] button.
5. If the success message is displayed, click [OK].



When setting multiple audio beacons

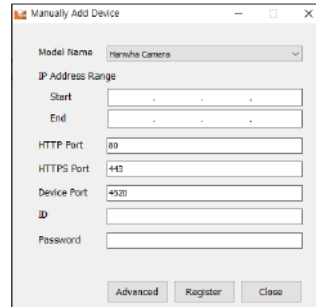


1. Click the audio beacon from the list that you want to change the IP setting.
2. Click <IP Assign> at the main page of device manager.
3. Select <Obtain an IP address automatically (DHCP)>.
4. Click the [Apply] button to start IP assignment.
5. Check the <Result> item for the success of IP assignment.

MANUALLY REGISTERING AUDIO BEACON

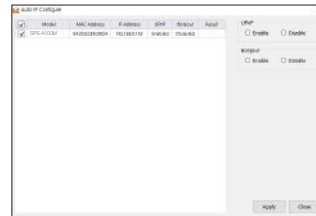
If the audio beacon cannot be found using search function, the audio beacon can be registered remotely by manually inserting IP information, if the audio beacon is connected to external network.

1. Click **<Add Devices>** - **<Manually Add Device>** at the main page of device manager.
2. Insert the range of IP address that you search.
3. Select the **<Model Name>** of the audio beacon that you register, and insert HTTP port, HTTPS port, ID, and password.
4. Click **[Register]** button.
5. Check if audio beacon is registered.
 - Check MAC address at the sticker attached to the audio beacon.



AUTOMATICALLY CONFIGURING IP

1. Click the audio beacon from the list that you want to automatically configure the IP.
2. Click **< + >** at the main page of device manager.
 - Equipment Setting menu appears.
3. At the menu, click **<Auto IP Configure>**.
4. To use the **<UPnP>** or **<Bonjour>** protocol, select **<Enable>** and click the **[Apply]** button.

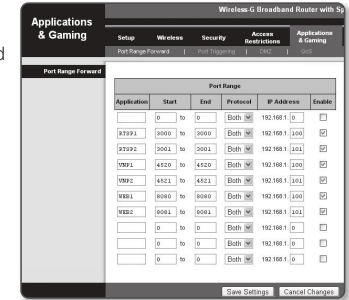


PORT RANGE FORWARD (PORT MAPPING) SETUP

If you have installed a Broadband Router with a audio beacon connected, you must set the port range forwarding on the Broadband Router so that a remote PC can access the audio beacon in it.

Manual Port Range Forwarding

1. From the Setup menu of the Broadband Router, select **<Applications & Gaming>** - **<Port Range Forward>**. For setting the port range forward for a third-party Broadband Router, refer to the user guide of that Broadband Router.
2. Select **<TCP>** and **<UDP Port>** for each connected audio beacon to the Broadband Router.
The number of each port to be configured to the IP router should be set according to the port number designated in **<Setup>** - **<Basic>** - **<IP & Port>** on the audio beacon web viewer.
3. When done, click **[Save Settings]**.
Your settings will be saved.

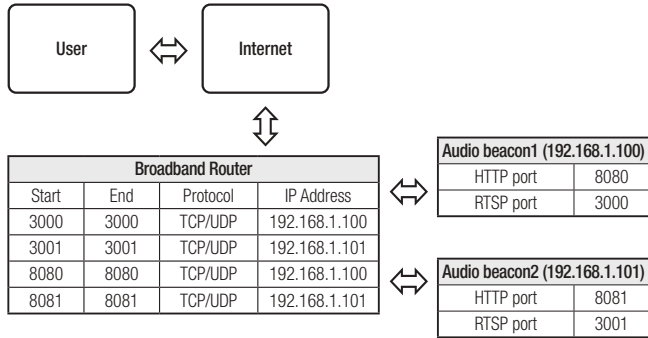


- Port forwarding setting is an example of setting CISCO IP router.
- The settings may differ depending on the connected Broadband Router model.
For more information, refer to the user manual of the applicable router.

Setting up Port Range Forward for several audio beacons

- You can set a rule of Port Forwarding on the Broadband Router device through its configuration web page.
- A user can change each port using the audio beacon setting screen.

When Audio beacon1 and Audio beacon2 are connected to a router :



- Port forwarding can be done without additional router setup if the router supports the UPnP (Universal Plug and Play) function. After connecting the audio beacon, select the checkbox from the menu <Quick connect> in <DDNS> in "Settings -> Network -> DDNS".

CONNECTING TO THE AUDIO BEACON FROM A SHARED LOCAL PC

1. Run device manager.
It will scan for connected audio beacons and display them as a list.
2. Select the desired project, then click the [Open] button.
3. Entering the password will display the list of audio beacons in the project.
4. Double-click a audio beacon to access.
The Internet browser starts and connects to the audio beacon.

- Access to the audio beacon can also be gained by typing the audio beacon's IP address in the address bar of the Internet browser.

CONNECTING TO THE AUDIO BEACON FROM A REMOTE PC VIA THE INTERNET

On a remote computer that is not in the Broadband Router's network cluster is not allowed, users can access audio beacons within a Broadband Router's network by using the audio beacon's DDNS URL.

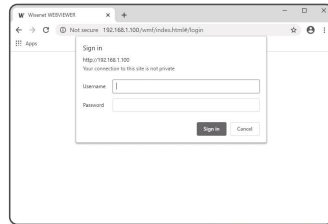
1. Before you can access a audio beacon in the Broadband Router network, you should have set the port range forward for the Broadband Router.
2. From the remote PC, launch the Internet browser and type the DDNS URL address of the audio beacon, or the IP address of the Broadband Router in the address bar.
ex) <http://ddns.hanwha-security.com/ID>

- To use DDNS, sign up at the DDNS homepage (<http://ddns.hanwha-security.com>) and register the product at [My DDNS]> [Register Product].

CONNECTING TO THE AUDIO BEACON

Normally, you would

1. Launch the Internet browser.
2. Type the IP address of the audio beacon in the address bar.
 - ex) • IP address (IPv4) : 192.168.1.100 → http://192.168.1.100
 - the Login dialog should appear.
 - IP address (IPv6) : 2001:230:abcd:ffff:0000:0000:ffff:1111 → http://[2001:230:abcd:ffff:0000:0000:ffff:1111] - the Login dialog should appear.



If the HTTP port is other than 80

1. Launch the Internet browser.
2. Type the IP address and HTTP port number of the audio beacon in the address bar.
 - ex) IP address : 192.168.1.100:HTTP Port number(8080)
 - http://192.168.1.100:8080 - the Login dialog should appear.

Using URL

1. Launch the Internet browser.
2. Type the DDNS URL of the audio beacon in the address bar.
 - ex) URL address : http://ddns.hanwha-security.com/ID
 - the Login dialog should appear.



- Network connection is disabled in the LAN only environment.

Connecting via UPnP

1. Run the client or operating system in support of the UPnP protocol.
2. Click the audio beacon name for search.
 - In the Windows operating system, click the audio beacon name searched from the network menu.
 - The login window is displayed.

Connecting via Bonjour

1. Run the client or operating system in support of the Bonjour protocol.
2. Click the audio beacon name for search.
 - In the Mac operating system, click the audio beacon name searched from the Bonjour tab of Safari.
 - The login window is displayed.



- To use the UPnP or Bonjour protocol, refer to "Automatically configuring IP".

To check the DDNS address

If the audio beacon is connected directly to a DHCP-based cable modem or DSL modem, the IP address will change each time it tries to connect to the ISP (the company you subscribed to). If this is the case, you will not be informed of the IP address changed by DDNS.

Once you register a dynamic IP-based device with the DDNS server, you can easily check the changed IP when you try to access the device.

To register your device to the <DDNS> server, visit <http://ddns.hanwha-security.com> and register your device first, and then set the Web Viewer's <Network> - <DDNS> to <DDNS>, as well as providing <Product ID> that had been used for DDNS registration.

PASSWORD SETTING

When you access the product for the first time, you must register the login password.



- For a new password with 8 to 9 characters, you must use at least 3 of the following: uppercase/lowercase letters, numbers and special characters. For a password with 10 characters or longer, you must use at least 2 types of those mentioned. (support up to 64 characters)

- Special characters that are allowed. :
~!@#\$\$%^&*()_+={}|~\;:"'<>.,?/

- Space is not allowed for password.
- For higher security, you are not recommended to repeat the same characters or consecutive keyboard inputs for your passwords.
- If you lost your password, you can press the **[RESET]** button to initialize the product. So, don't lose your password by using a memo pad or memorizing it.

LOGIN

Whenever you access the audio beacon, the login window appears. Enter the User ID and password to access the audio beacon.

- Enter "admin" in the <User name> input box. The administrator's ID, "admin," can be changed in the Web Viewer.
- Enter the password in the <Password> input field.
- Click **[Sign in]**.
If you have logged in successfully, you will the Live Viewer screen.

AUDIO BEACON WEB VIEWER SETUP

- Click the **[Setup (⚙️)]** icon.
- The Settings window appears.
- You can configure settings for the audio beacon's basic information, video, audio, network, event, analysis, and system over the network.
- Click **<Help (🔗)>** to view detailed descriptions of each function.

TROUBLESHOOTING

PROBLEM	SOLUTION
When an Windows 10 user accesses the web viewer through Chrome or Firefox, the sound volume of microphone changes periodically.	<ul style="list-style-type: none">• This is what happens when microphone driver has been set to Realtek driver. Install the High Definition Audio device (Windows Default Driver) or the third party driver as the microphone driver.
What are the specifications for WAVE files necessary to play audio at the time of an event?	<ul style="list-style-type: none">• Sampling rate of 48,000 KHz or less is recommended.• For bits per sample (bps), up to 8/16 bit is recommended.• Only PCM encoding format is supported.
I can't access the audio beacon from a web browser.	<ul style="list-style-type: none">• Check to make sure that the audio beacon's Network settings are appropriate.• Check to make sure that all network cables have been connected properly.• If connected using DHCP, verify that the audio beacon is able to acquire dynamic IP addresses without any problem.• If the audio beacon is connected to a Broadband Router, verify that port forwarding is properly configured.
The audio beacon connected to the network is not detected in the Device Manager program.	<ul style="list-style-type: none">• Turn off the firewall settings on your PC and then search the audio beacon again.



Any changes or modifications in construction of this device which are not expressly approved by the party responsible for compliance could void the user's authority to operate the equipment.

This device complies with part 15 of the FCC Rules. Operation is subject to the following two conditions: (1) This device may not cause harmful interference, and (2) this device must accept any interference received, including interference that may cause undesired operation.

This equipment has been tested and found to comply with the limits for a Class A digital device, pursuant to part 15 of the FCC Rules. These limits are designed to provide reasonable protection against harmful interference when the equipment is operated in a commercial environment.

This equipment generates, uses, and can radiate radio frequency energy and, if not installed and used in accordance with the instruction manual, may cause harmful interference to radio communications. Operation of this equipment in a residential area is likely to cause harmful interference in which case the user will be required to correct the interference at his own expense.



Hanwha Vision cares for the environment at all product manufacturing stages, and is taking measures to provide customers with more environmentally friendly products.

The Eco mark represents Hanwha Vision's devotion to creating environmentally friendly products, and indicates that the product satisfies the EU RoHS Directive.



Correct Disposal of This Product (Waste Electrical & Electronic Equipment)

(Applicable in the European Union and other European countries with separate collection systems)

This marking on the product, accessories or literature indicates that the product and its electronic accessories (e.g. charger, headset, USB cable) should not be disposed of with other household waste at the end of their working life. To prevent possible harm to the environment or human health from uncontrolled waste disposal, please separate these items from other types of waste and recycle them responsibly to promote the sustainable reuse of material resources.

Household users should contact either the retailer where they purchased this product, or their local government office, for details of where and how they can take these items for environmentally safe recycling.

Business users should contact their supplier and check the terms and conditions of the purchase contract. This product and its electronic accessories should not be mixed with other commercial wastes for disposal.



Correct disposal of batteries in this product

(Applicable in the European Union and other European countries with separate battery return systems.)

This marking on the battery, manual or packaging indicates that the batteries in this product should not be disposed of with other household waste at the end of their working life. Where marked, the chemical symbols Hg, Cd or Pb indicate that the battery contains mercury, cadmium or lead above the reference levels in EC Directive 2006/66. If batteries are not properly disposed of, these substances can cause harm to human health or the environment.

To protect natural resources and to promote material reuse, please separate batteries from other types of waste and recycle them through your local, free battery return system.

