



SLA-T2480WA

2MP Lens Module



Key Features

- Color: 0.045Lux(F2.0, 1/30sec)
- 2.4mm fixed focal
- Product Dimensions / Weight: $\varnothing 24 \times 49.8 \text{mm}$ ($\varnothing 0.94 \times 1.96''$), 101g(0.22lb)
- IP66, NEMA 4X

SLA-T2480WA

2MP Lens Module



Specifications

Video	
Imaging Device	1/2.8" CMOS
Min. Illumination	Color: 0.045Lux(F2.0, 1/30sec, 30IRE) BW: 0.045Lux(F2.0, 1/30sec, 30IRE) * with PNM-9000QB, XNB-6002
Lens	
Focal Length (Zoom Ratio)	2.4mm fixed focal
Max. Aperture Ratio	F2.0
Angular Field of View	H: 138° / V: 73° / D: 165°
Focus Control	Fixed
Mount Type	RJ12 connected with main unit
Environmental & Electrical	
Operating Temperature / Humidity	-30°C~+55°C(-22°F~+131°F) / 0~95% RH * Start up should be done at above -30°C
Storage Temperature / Humidity	-50°C~+60°C(-58°F~+140°F) / 0~95% RH
Certification	IP66, NEMA 4X
Mechanical	
Color / Material	Black / Plastic
Product Dimensions / Weight	ø35x63.2mm(ø1.38x2.49"), 101g(0.22lb) Cable: 8m(26.2ft)
Certifications & Standards	
EMC	FCC 47 CFR 15 Subpart B Class A ICES-3(A)/NMB-3(A) CE/UKCA - EN 55032 Class A, EN 50130-4, EN 61000-3-2, EN 61000-3-3 VCCI CISPR 32 Class A RCM AS/NZS CISPR 32 Class A KS C 9832 Class A, KS C 9835
Safety	UL 62368-1, CAN/CSA C22.2 NO. 62368-1
Environment	EN IEC 63000 IEC 60529 IP66 NEMA 250 type 4X

Design and specifications are subject to change without notice. The latest product information / specification can be found at HanwhaVision.com.

Hanwha Vision is formerly known as Hanwha Techwin.

© Hanwha Vision CO., LTD. All rights reserved.

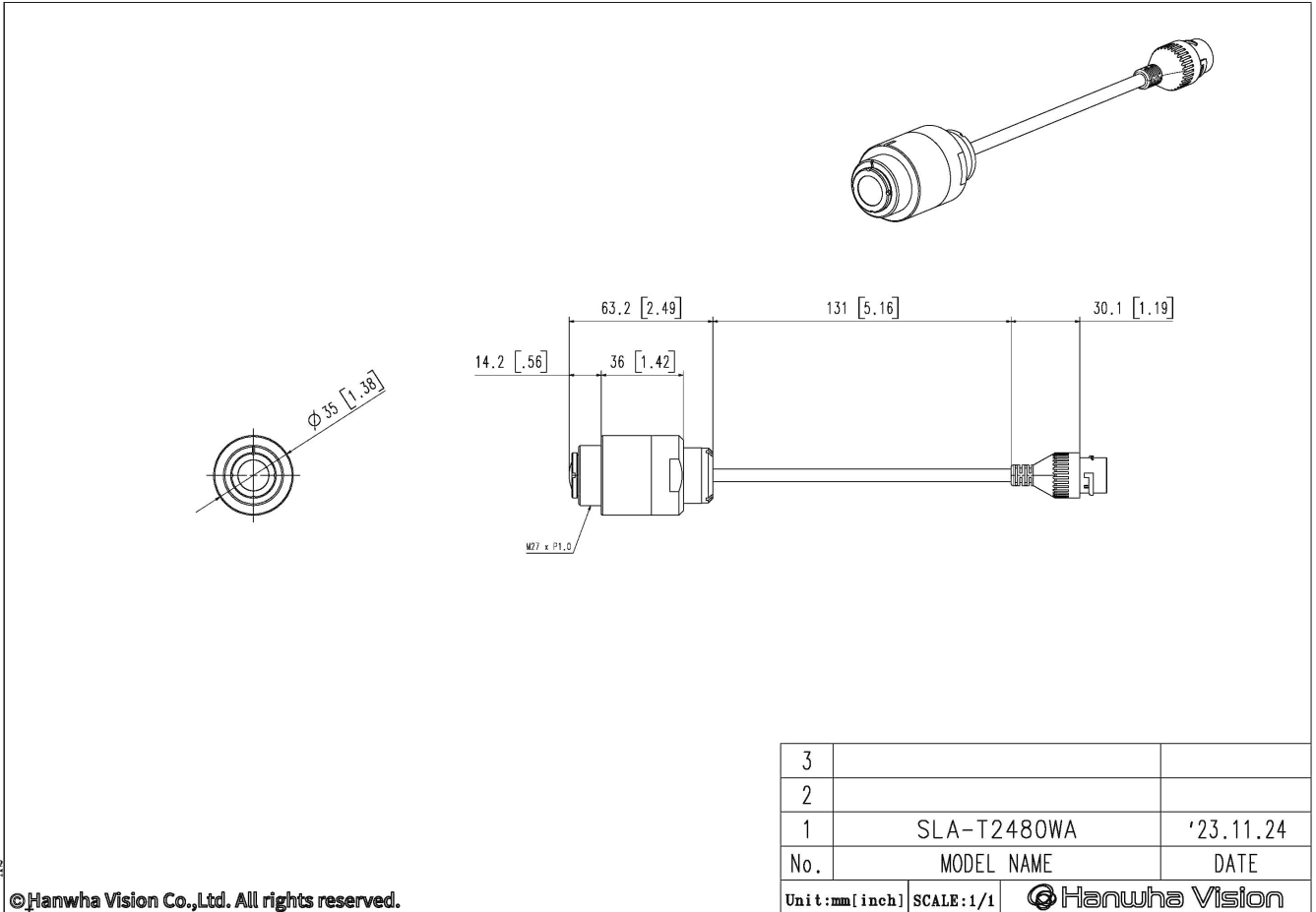
SLA-T2480WA

2MP Lens Module



CAD

Unit:mm [inch]



A2

© Hanwha Vision Co.,Ltd. All rights reserved.

T/C-142851-