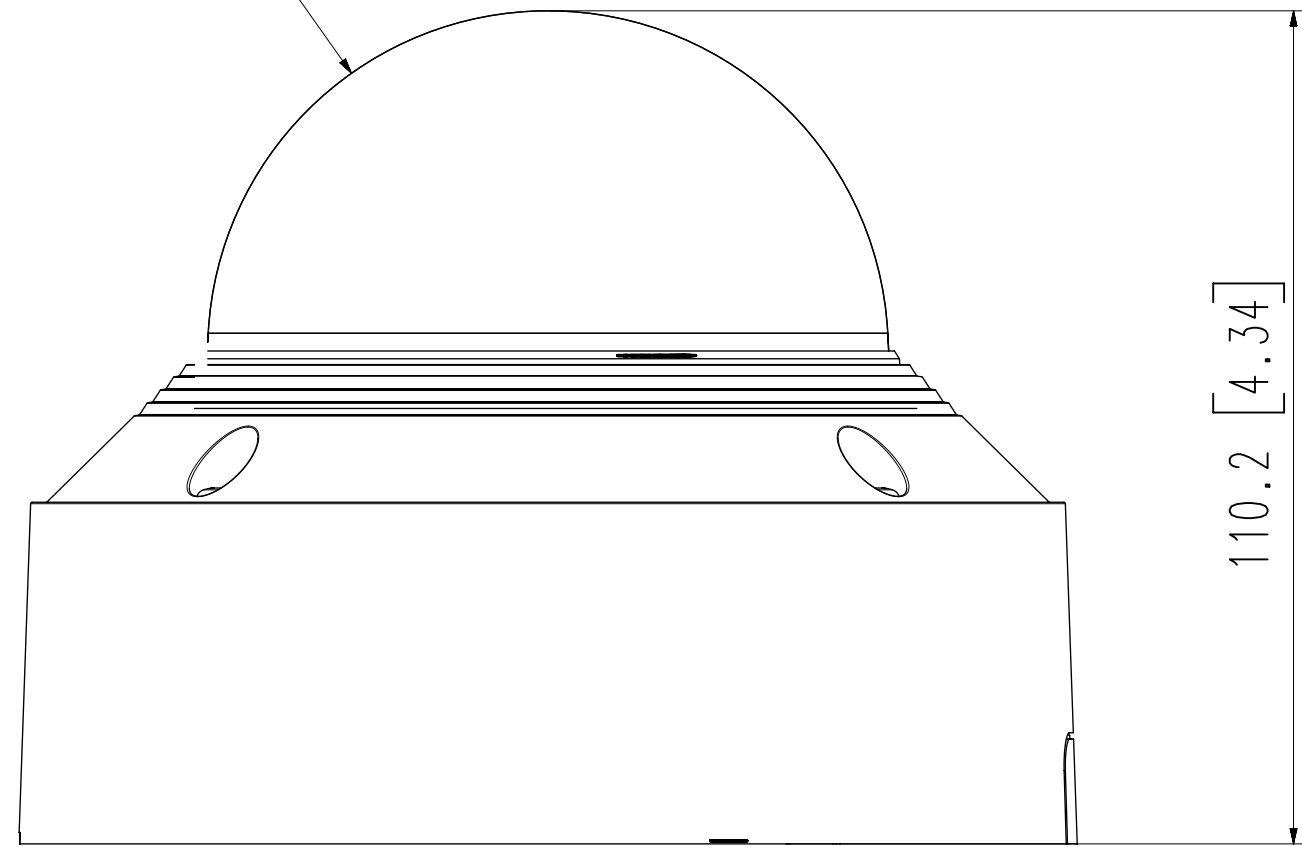
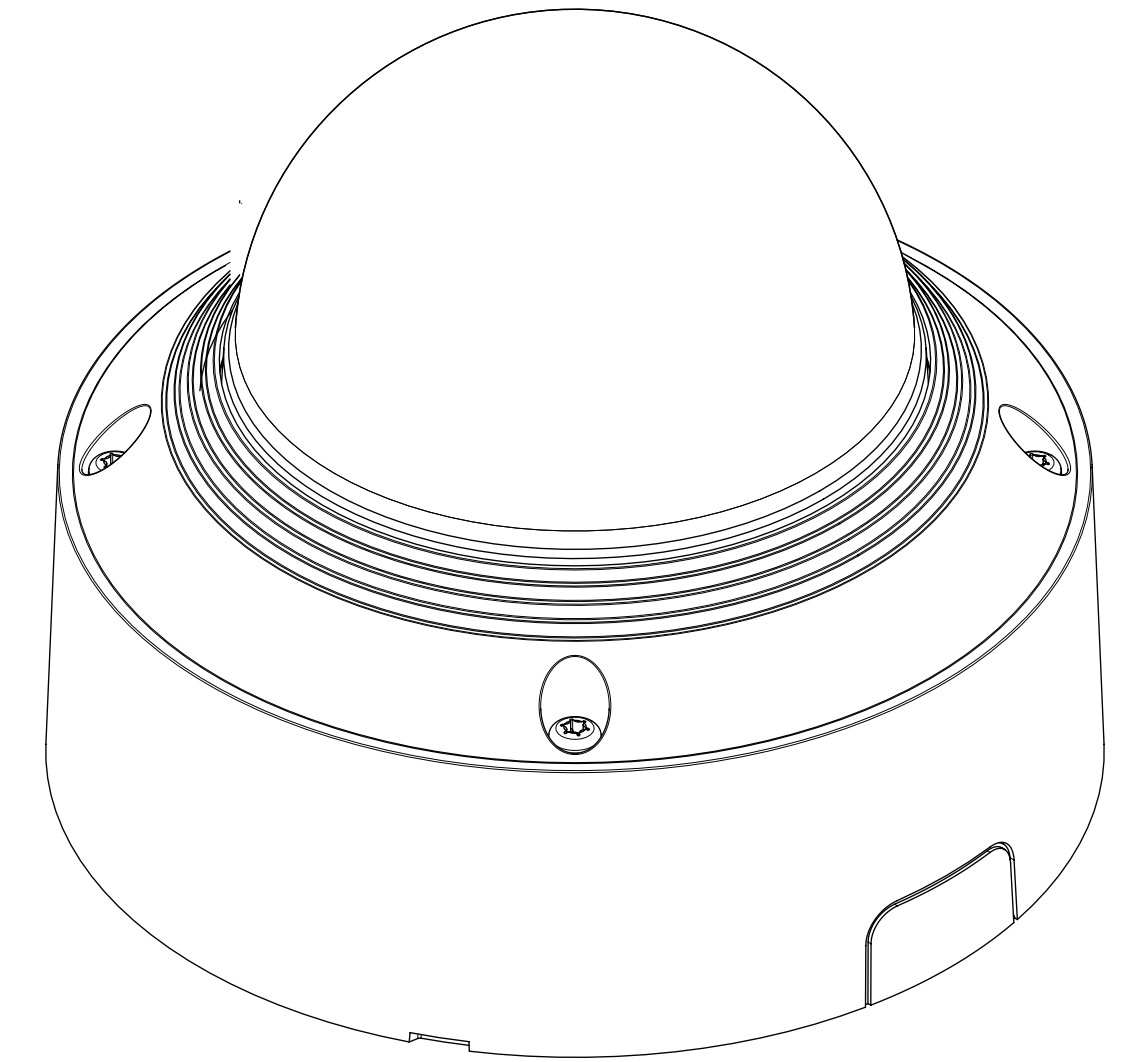
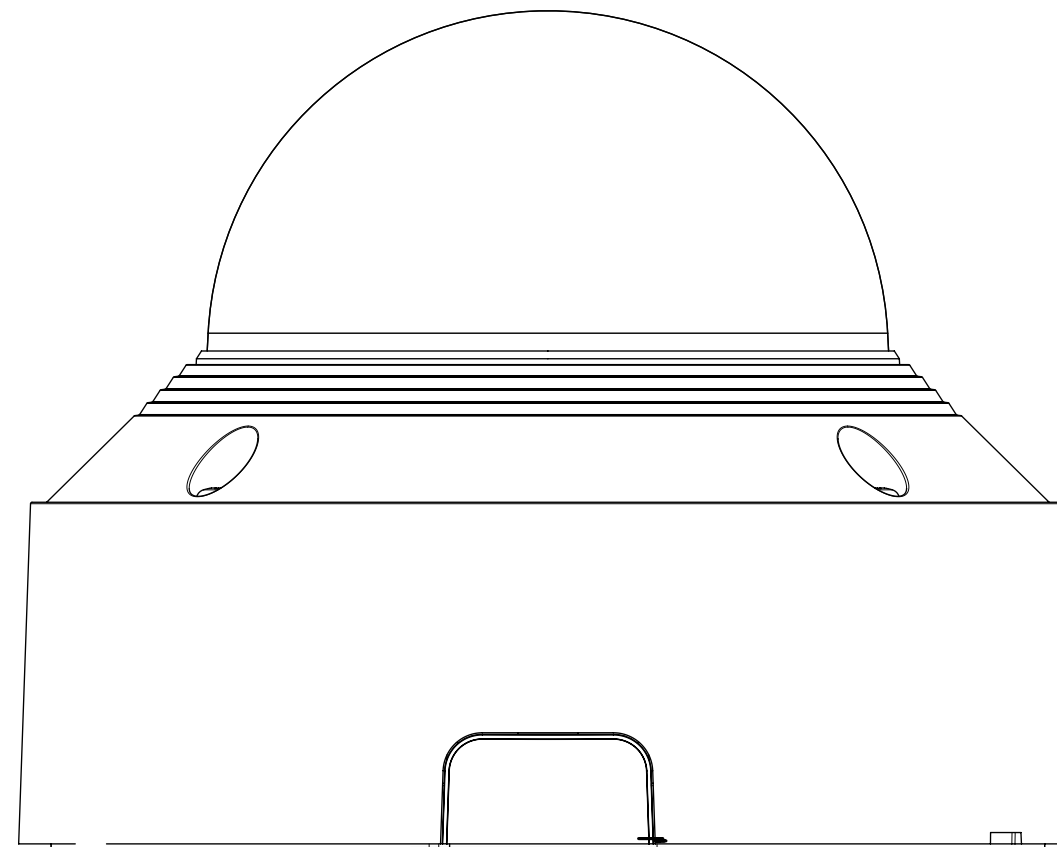


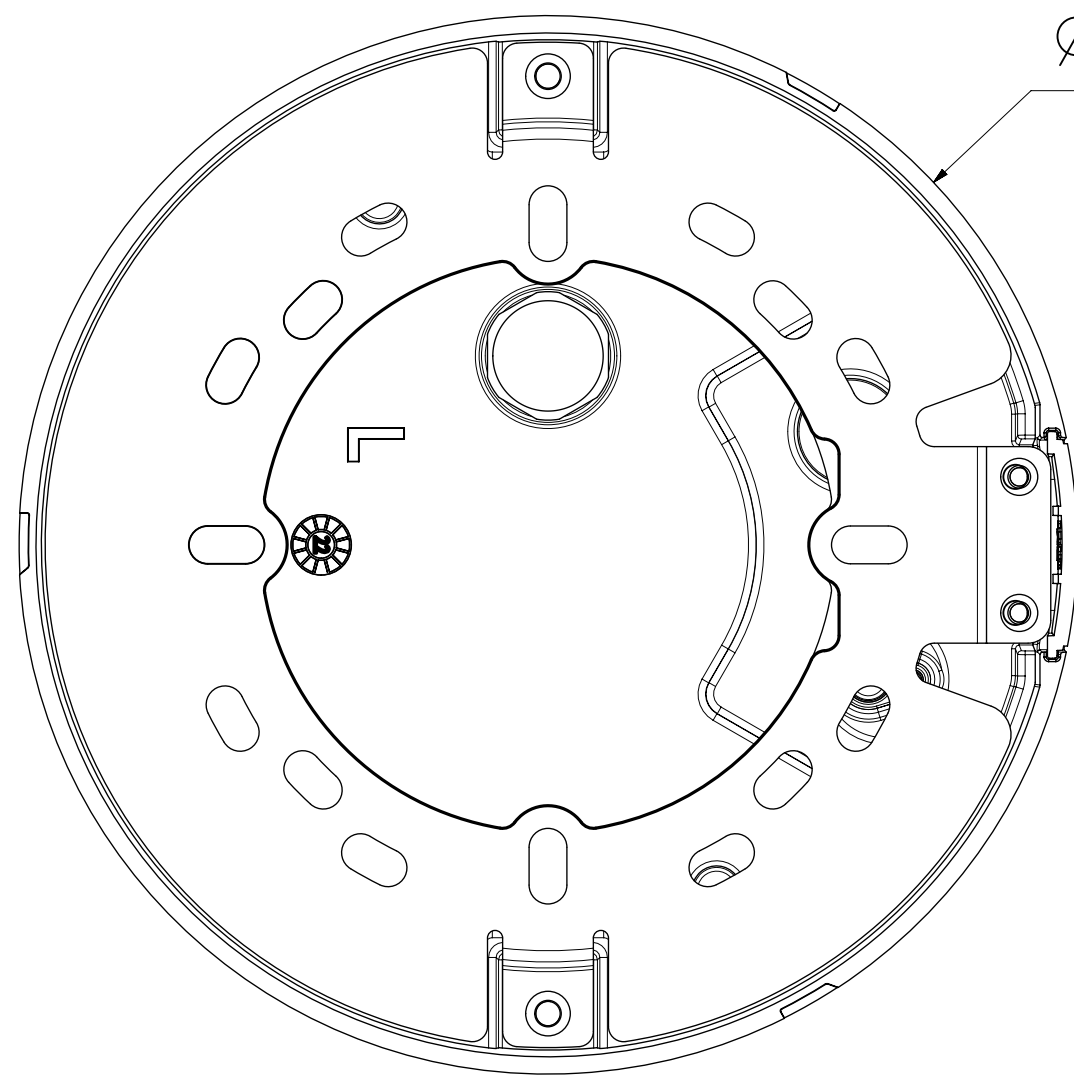
Ø 90 [3.54]



110.2 [4.34]



Ø 140 [5.51]



3	MODEL 2	
2	MODEL 1	QNV-C8083R
1	BASIC MODEL	'23.07.07
No.	MODEL NAME	QNV-C9083R

Unit : mm [inch]

SCALE : 1 / 1

 Hanwha Vision