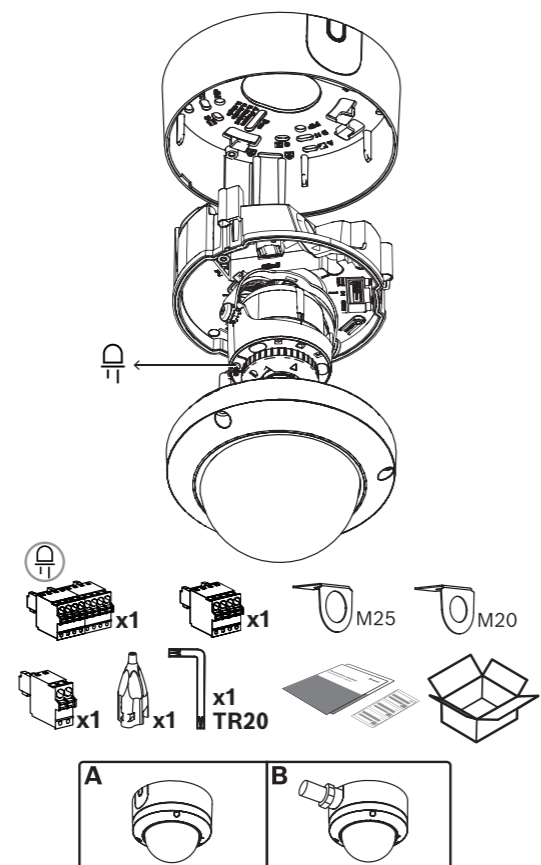


1 |

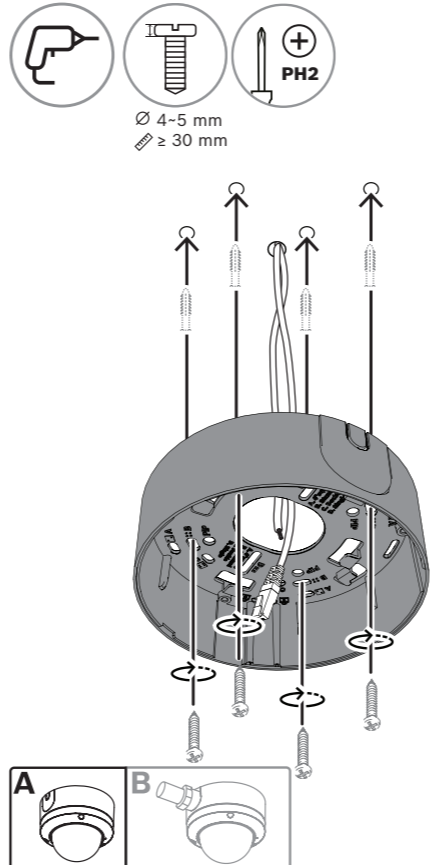
This manual is applicable to these products.  
 Dieses Handbuch gilt für diese Produkte.  
 Ce manuel s'applique à ces produits.  
 Este manual es aplicable a estos productos.  
 本手册适用于这些产品。

NDE-5702-A, NDE-5703-A, NDE-5704-A, NDE-5702-A-GOV,  
 NDE-5703-A-GOV, NDE-5704-A-GOV, NDE-5702-AL,  
 NDE-5703-AL, NDE-5704-AL, NDE-5702-AL-GOV,  
 NDE-5703-AL-GOV, NDE-5704-AL-GOV

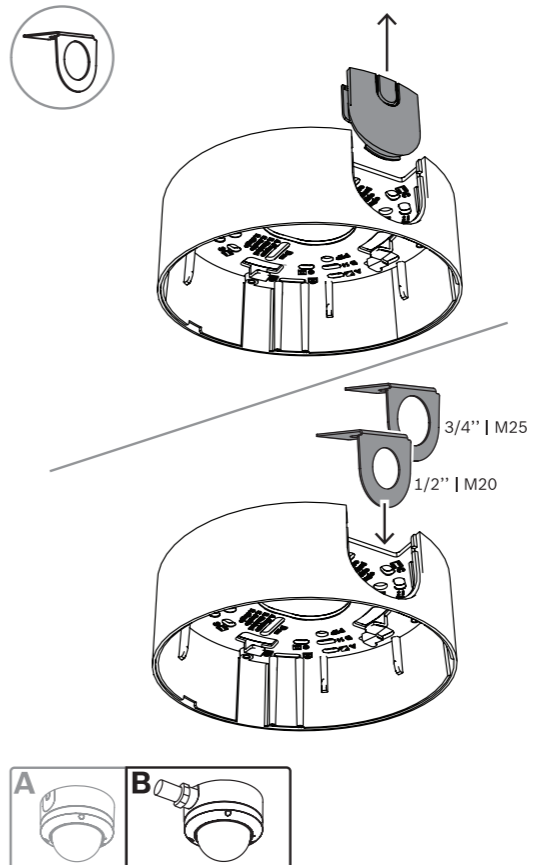
2 |



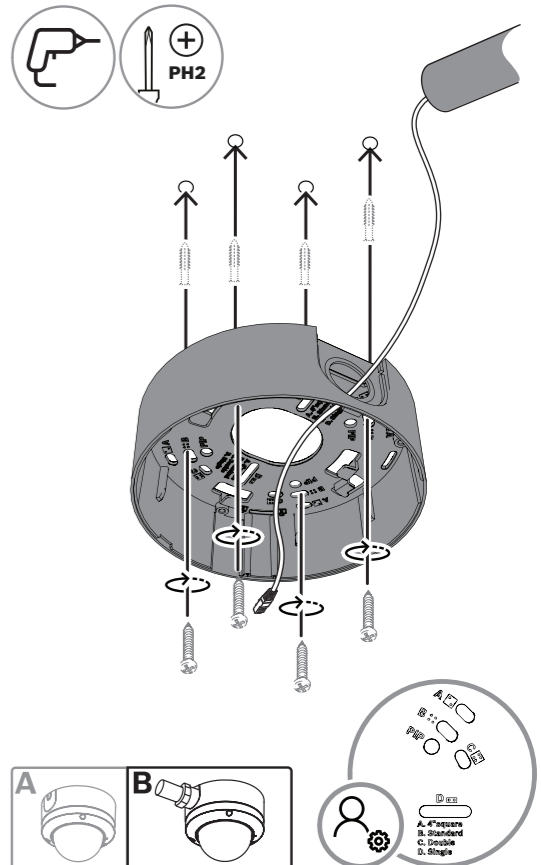
3 |



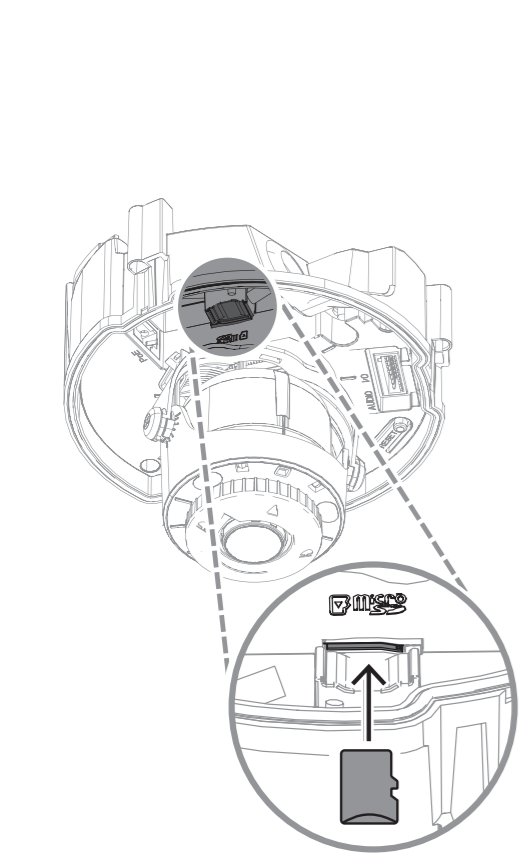
4 |



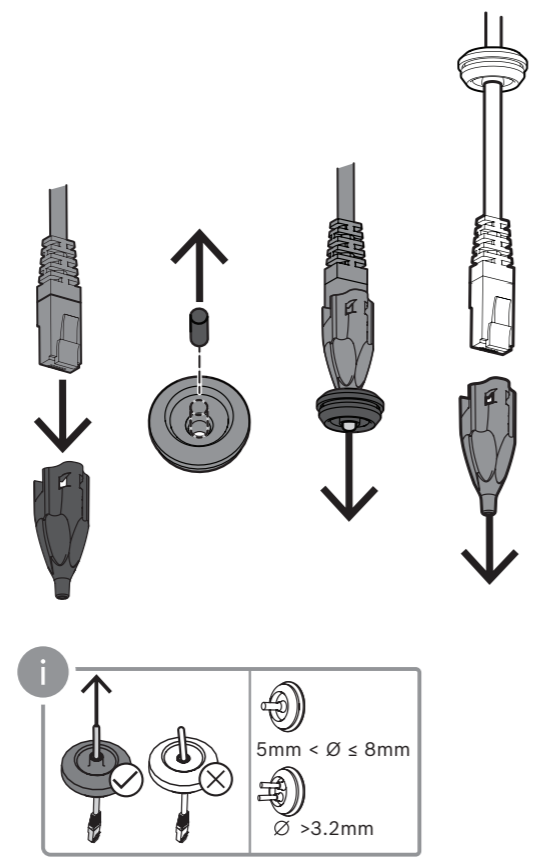
5 |



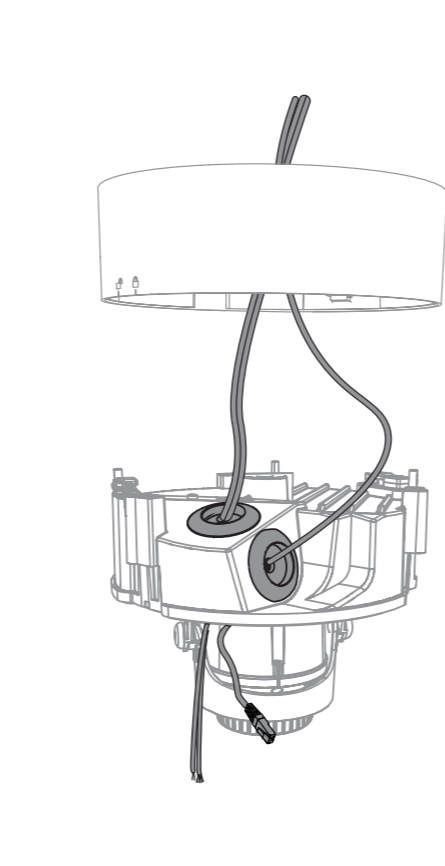
6 |



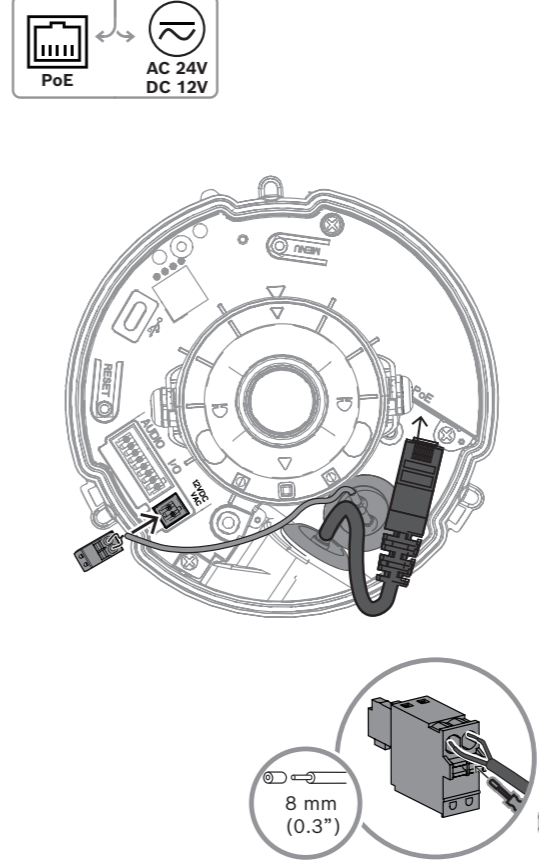
7 |



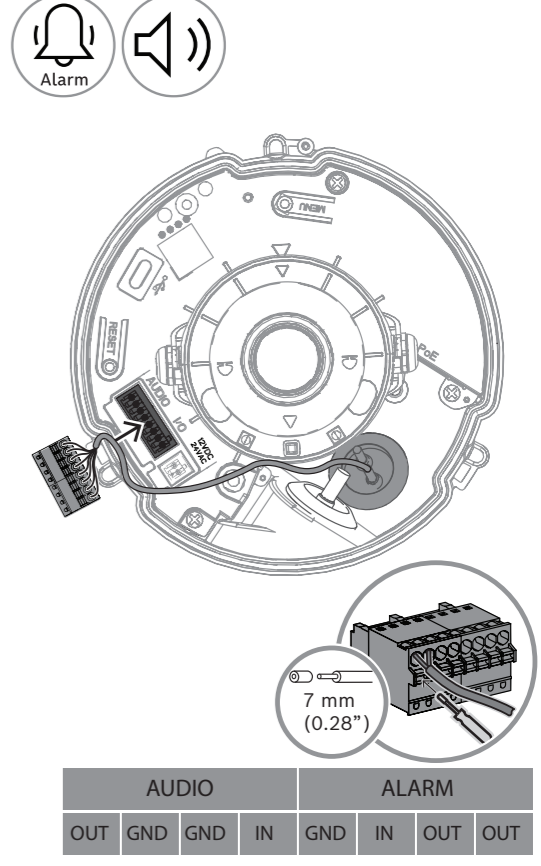
8 |



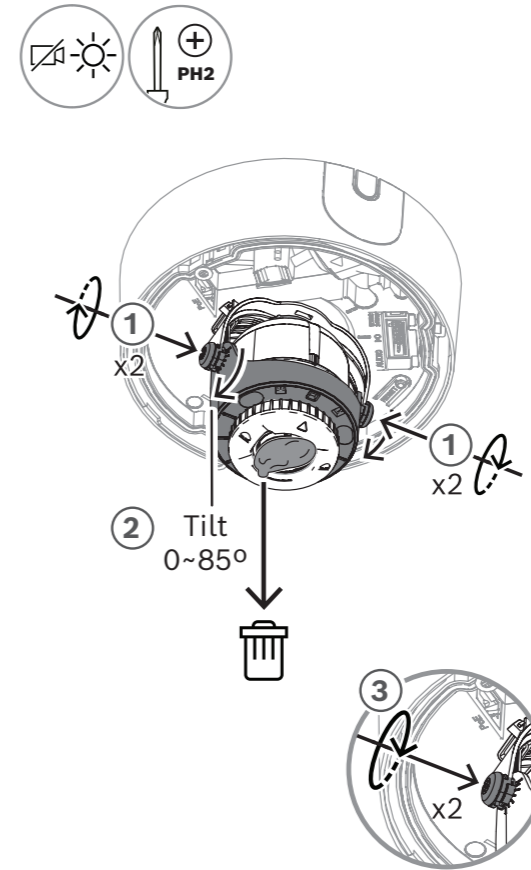
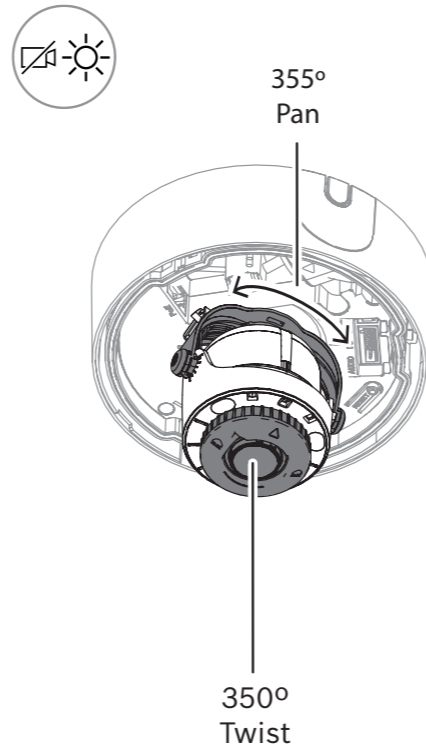
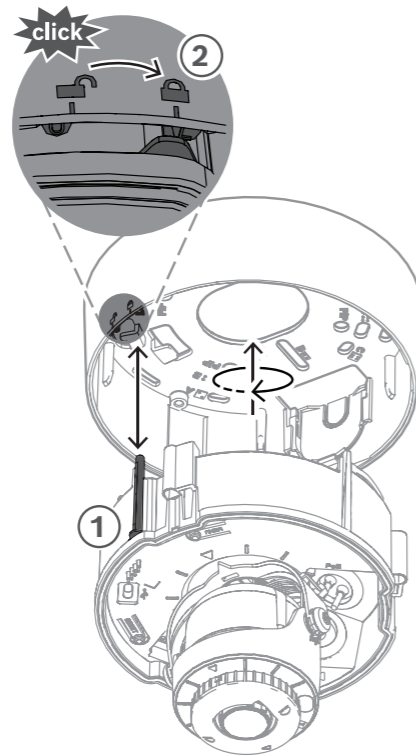
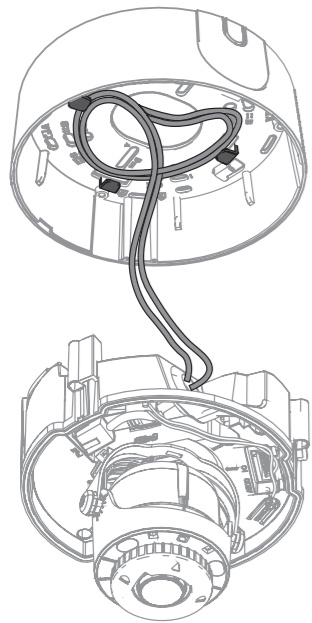
9 |



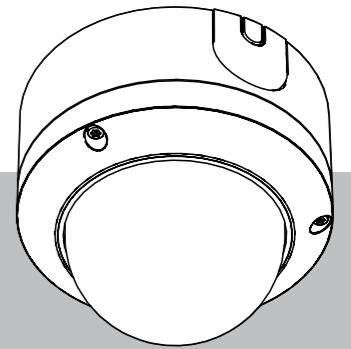
10 |



| AUDIO |     |     |    | ALARM |    |     |     |
|-------|-----|-----|----|-------|----|-----|-----|
| OUT   | GND | GND | IN | GND   | IN | OUT | OUT |

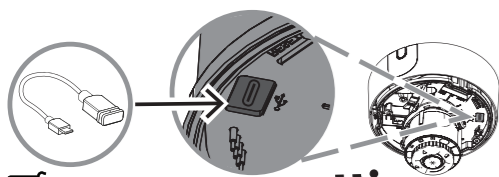


FLEXIDOME outdoor 5100i | FLEXIDOME outdoor 5100i IR



en Quick installation guide

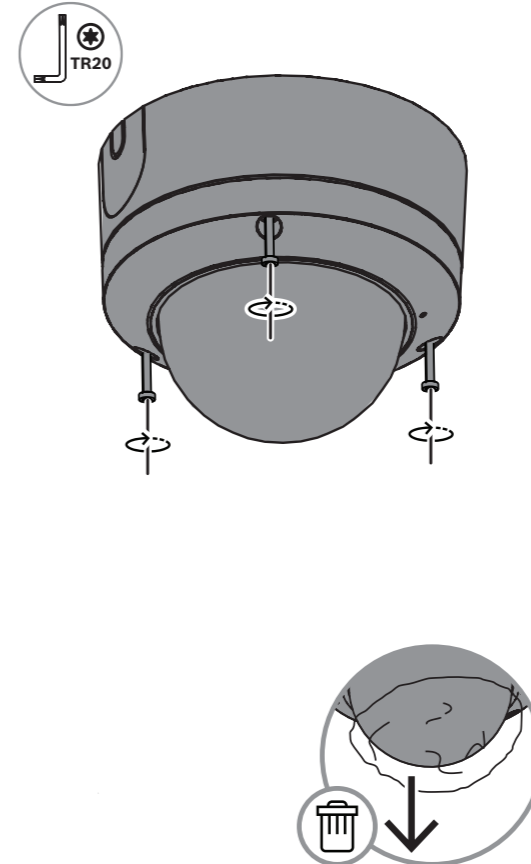
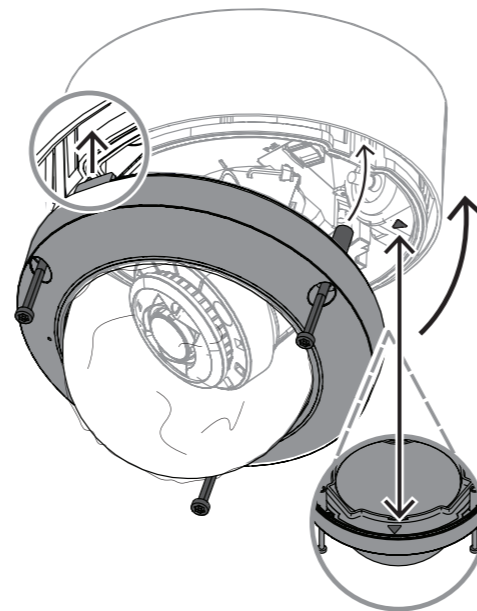
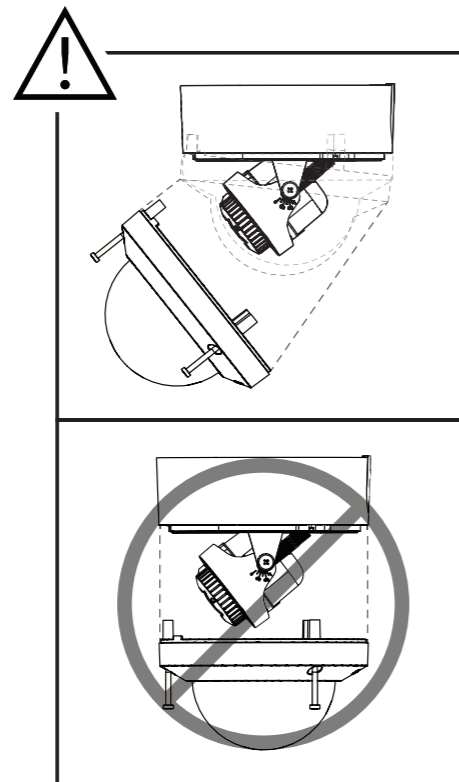
**Project Assistant app**  
Windows | iOS | Android



NCA-WLAN-EU  
NCA-WLAN-NA



<https://downloadstore.boschsecurity.com/>



**Bosch Security Systems B.V.**  
Torenallee 49  
5617 BA Eindhoven  
Netherlands  
[www.boschsecurity.com](http://www.boschsecurity.com)  
© Bosch Security Systems B.V., 2023

Building solutions for a better life.