

AXIS TU9001 Control Board

User manual

AXIS TU9001 Control Board

Table of Contents

Installation	3
Specifications	4
Product overview	4
Hotkeys	6
Troubleshooting	8
Contact support	8

AXIS TU9001 Control Board

Installation

Installation

Connect the USB cables according to the table.

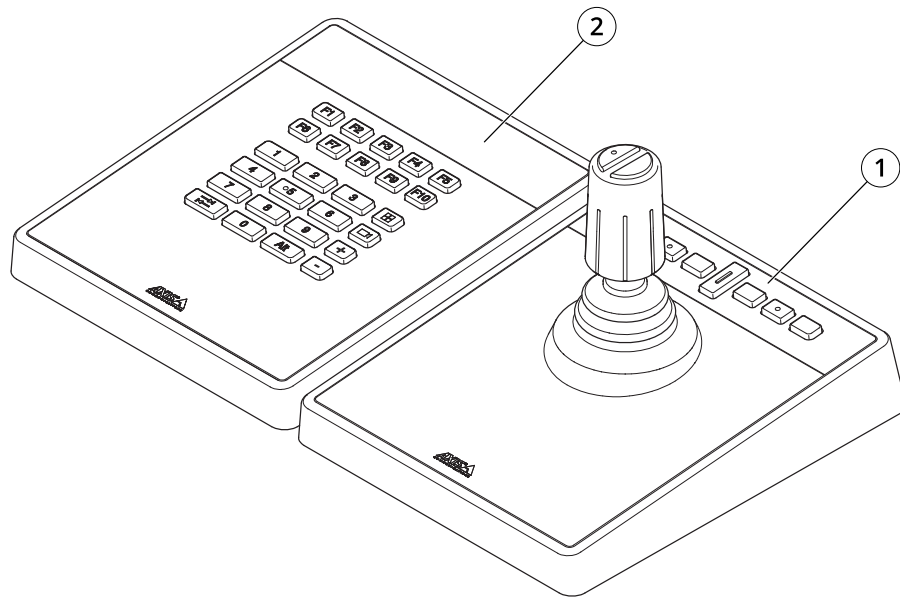
Computer	AXIS TU9002	AXIS TU9003
USB type A	USB type C	
	USB type A	USB type C
USB type A		USB type C

AXIS TU9001 Control Board

Specifications

Specifications

Product overview

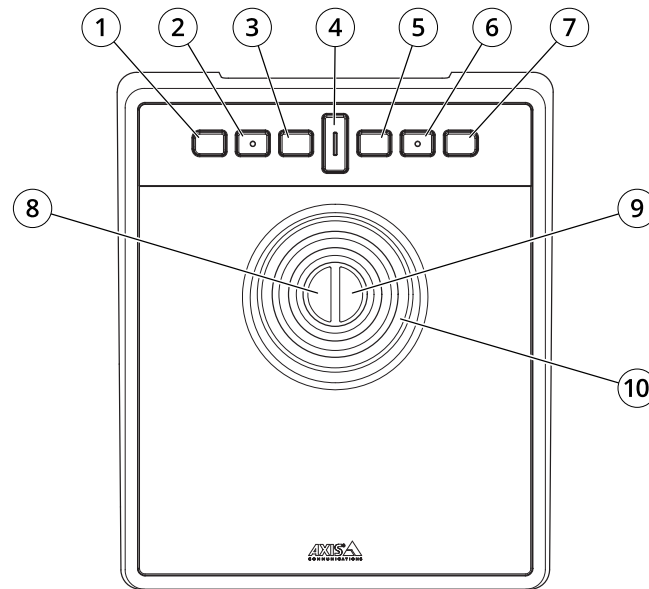


AXIS TU9001

- 1 AXIS TU9002
- 2 AXIS TU9003

AXIS TU9001 Control Board

Specifications

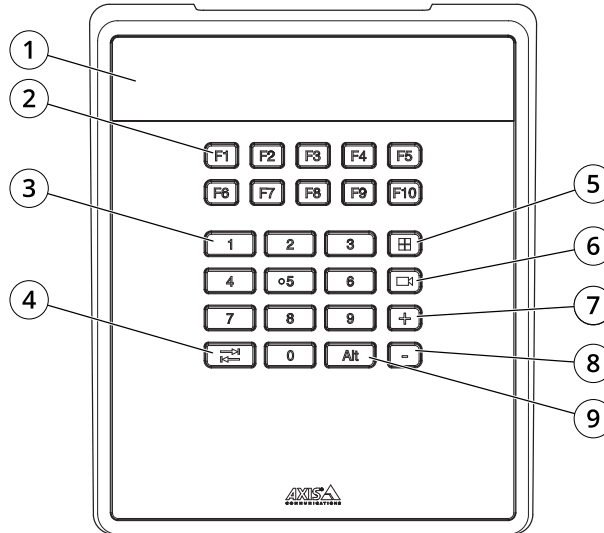


AXIS TU9002

- 1 J1 or rewind button
- 2 J2 or play/pause button
- 3 J3 or forward button
- 4 Toggle button
- 5 J4 or bookmark button
- 6 J5 or M1 button
- 7 J6 or M2 button
- 8 Left joystick button
- 9 Right joystick button
- 10 Joystick

AXIS TU9001 Control Board

Specifications



AXIS TU9003

- 1 Display
- 2 Function keys F1-F10
- 3 Number keys 0-9
- 4 Tab
- 5 View
- 6 Camera
- 7 +
- 8 -
- 9 Alt

Hotkeys

A hotkey is configurable and gives quick access to commonly used actions. AXIS TU9002 Joystick has 16 hotkeys and AXIS TU9003 Keypad has 24 hotkeys. To configure these hotkeys, go to your video management system.

Toggle button

AXIS TU9002 Joystick has a toggle button. Press the toggle button to switch between the hotkey functionalities.

Joystick mode and mouse mode

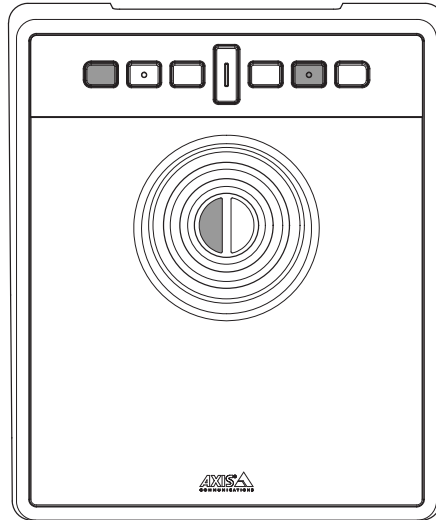
You can switch between joystick mode and mouse mode:

1. Hold the toggle button while clicking J1.
2. Release the toggle button.

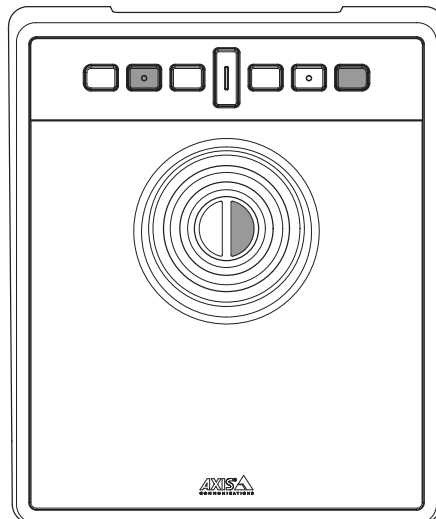
In mouse mode, use J1, J5 and left joystick button as left click.

AXIS TU9001 Control Board

Specifications



Use J2, J6 and right joystick button as right click.



AXIS TU9001 Control Board

Troubleshooting

Troubleshooting

If you experience problems during the installation, do or check the following:

- Restart the video management system, for example AXIS Camera Station.
- Disconnect the USB plug from the computer, wait 10 seconds and then restart your video management system.
- Check that the USB port is version 2.0 or higher.
- Move the USB plug to another available USB port on your computer. Then restart your video management system.
- Verify that the operating system has identified the joystick. Go to **Start > Control Panel > Game Controllers** and follow the provided troubleshooting steps.

Contact support

If you need more help, go to axis.com/support.

